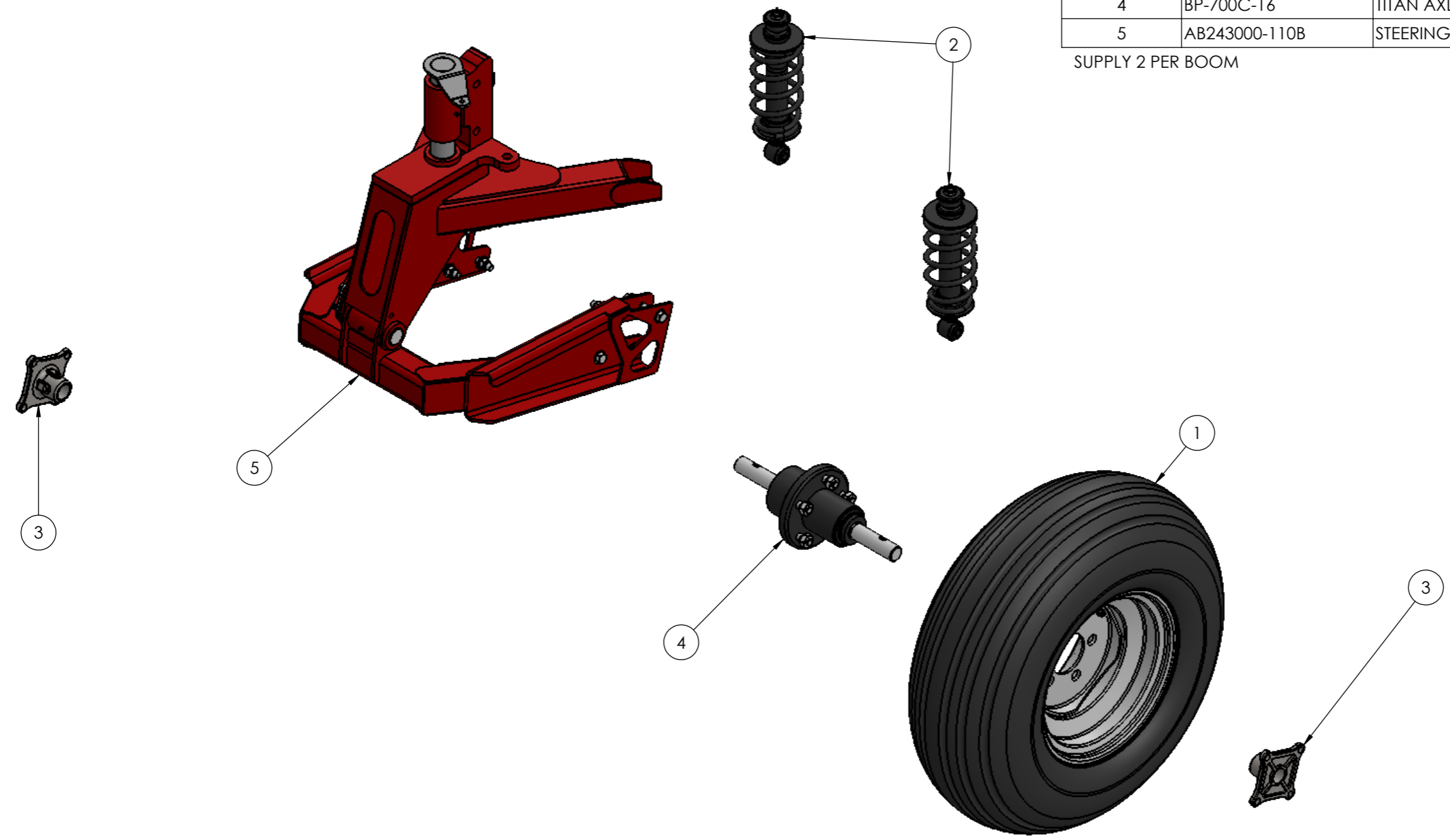


ITEM NO.	PART NUMBER	DESCRIPTION	QTY.
1	HP-202R	WHEEL 12Lx15 MULTI RIB 5/140	1
2	MP-391A	SHOCK ABSORBER W/COIL HEAVY	2
3	BP-700C-17	CAST AXLE MOUNT FOR BP-700C-16	2
4	BP-700C-16	TITAN AXLE WITH HUB	1
5	AB243000-110B	STEERING CASTOR ASSY VER 3	1

SUPPLY 2 PER BOOM



UNLESS OTHERWISE SPECIFIED: DIMENSIONS ARE IN MILLIMETERS SURFACE FINISH: ± 0.2 TOLERANCES: LINEAR: ± 0.5 ANGULAR: ± 0.5		FINISH: N/A	DEBUR AND BREAK SHARP EDGES 	DO NOT SCALE DRAWING	ISSUE	A																							
<table border="1"> <thead> <tr> <th>NAME</th> <th>SIGNATURE</th> <th>DATE</th> <th>REVISION</th> </tr> </thead> <tbody> <tr> <td>DRAWN</td> <td>LJSMITH</td> <td>230615</td> <td></td> </tr> <tr> <td>CHK'D</td> <td></td> <td></td> <td></td> </tr> <tr> <td>APPV'D</td> <td></td> <td></td> <td></td> </tr> <tr> <td>MFG</td> <td></td> <td></td> <td></td> </tr> <tr> <td>Q.A</td> <td></td> <td></td> <td></td> </tr> </tbody> </table>			NAME	SIGNATURE	DATE	REVISION	DRAWN	LJSMITH	230615		CHK'D				APPV'D				MFG				Q.A				<p>TITLE: WEEDIT STEERING WHEEL ASSMEBLY</p>		
NAME	SIGNATURE	DATE	REVISION																										
DRAWN	LJSMITH	230615																											
CHK'D																													
APPV'D																													
MFG																													
Q.A																													
<p>COPYRIGHT PROPRIETOR THIS DRAWING IS THE PROPERTY OF CROPLANDS PTY. LTD. AND MUST BE TREATED AS CONFIDENTIAL. REPRODUCTION OF THIS DRAWING (OR PART THEREOF) OR COMMUNICATION OF ITS CONTENTS IS PROHIBITED WITHOUT THE CONSENT OF CROPLANDS PTY. LTD.</p>			MATERIAL: N/A	DWG NO. KB-7000-4	A3																								
			WEIGHT:	SCALE: 1:10	SHEET 1 OF 1																								