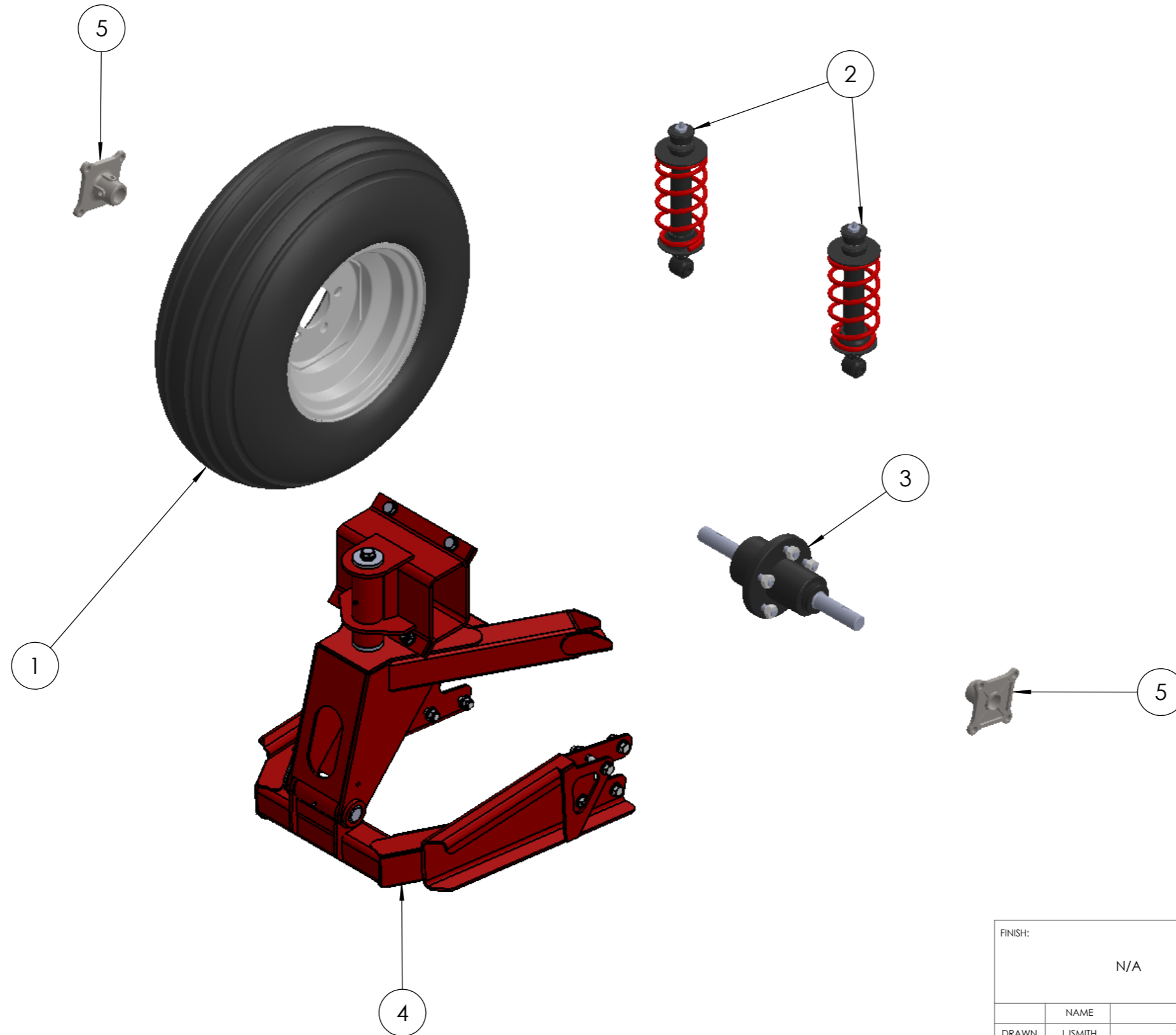


ITEM NO.	PART NUMBER	DESCRIPTION	
1	HP-202R	WHEEL 12Lx15 MULTI RIB 5/140	1
2	MP-391B	SHOCK ABSORBER W/COIL LIGHT	2
3	BP-700C-16	TITAN AXLE WITH HUB	1
4	AB243000-120B	OUTER CASTOR KIT VER 3	1
5	BP-700C-17	CAST AXLE MOUNT FOR BP-700C-16	2



FINISH:		DO NOT SCALE DRAWING		ISSUE	A
N/A		CROPLANDS A NUFARM LIMITED COMPANY			
DRAWN	NAME	DATE	TITLE:		
LJSMITH		7/03/2019	WEEDIT		
UNLESS OTHERWISE SPECIFIED: DIMENSIONS ARE IN MILLIMETERS SURFACE FINISH: ± 0.2		DEBUR AND BREAK SHARP EDGES		OUTER CASTOR KIT VER 2	
TOLERANCES: LINEAR: ± 0.5 ANGULAR: ± 0.5				DWG NO.	A3
COPYRIGHT PROPRIETOR THIS DRAWING IS THE PROPERTY OF CROPLANDS PTY. LTD. AND MUST BE TREATED AS CONFIDENTIAL. REPRODUCTION OF THIS DRAWING (OR PART THEREOF) OR COMMUNICATION OF ITS CONTENTS IS PROHIBITED WITHOUT THE CONSENT OR AUTHORITY OF CROPLANDS PTY. LTD.		WEIGHT: Kg		QTY. PER UNIT: 2	SHEET 1 OF 1
		KB-7000-5			