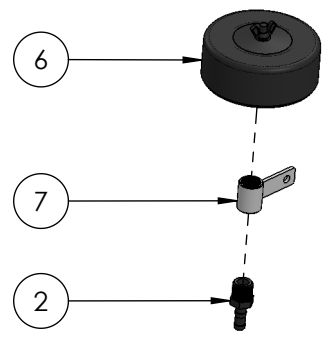
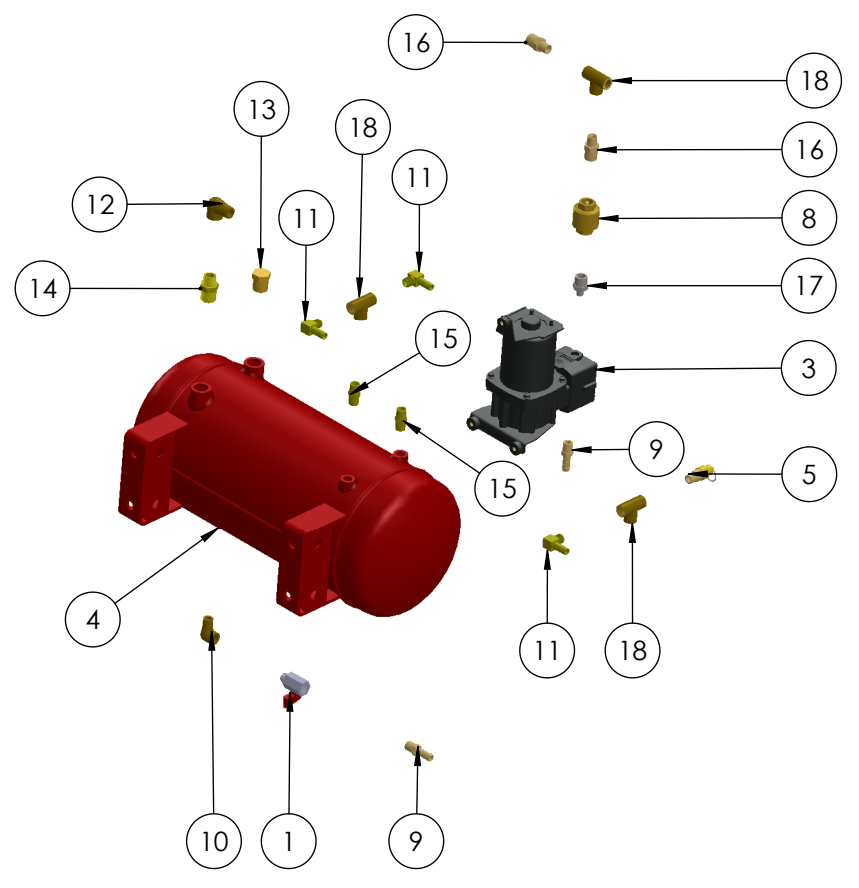
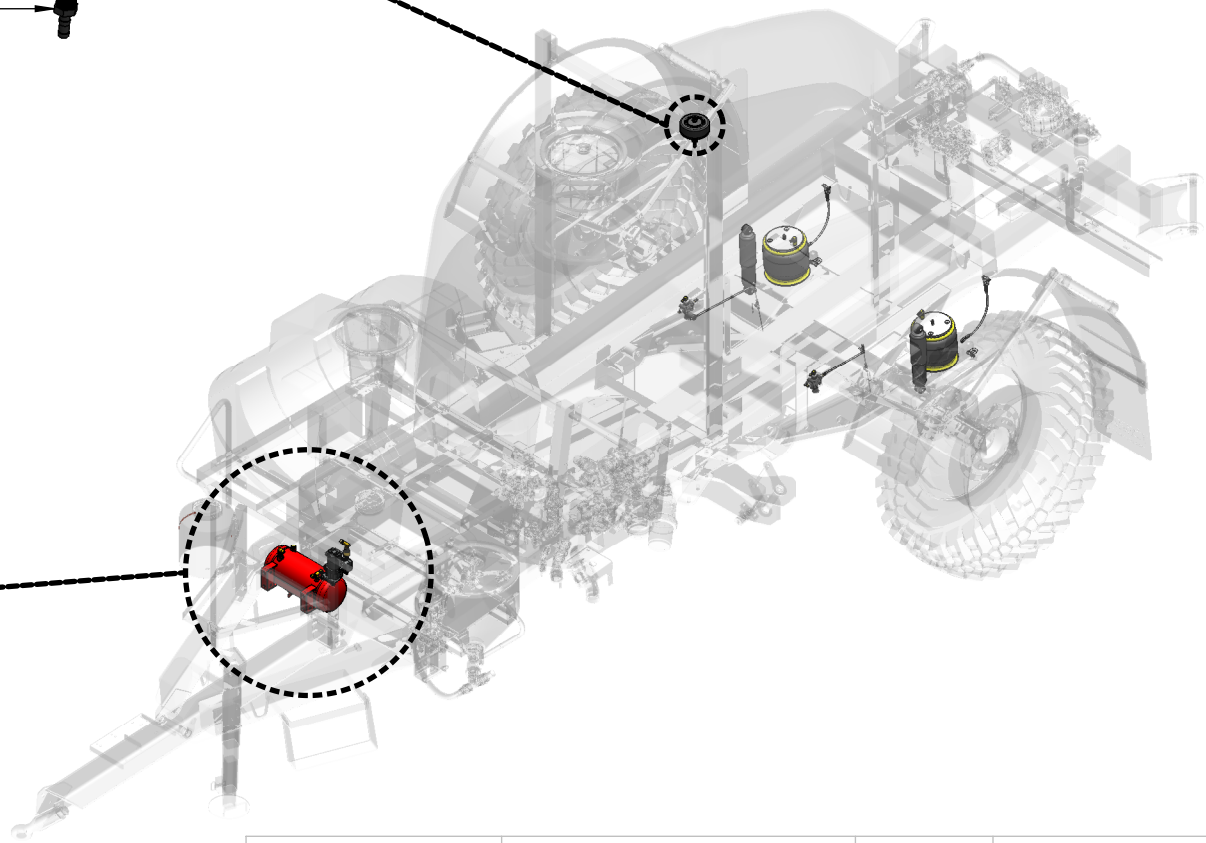
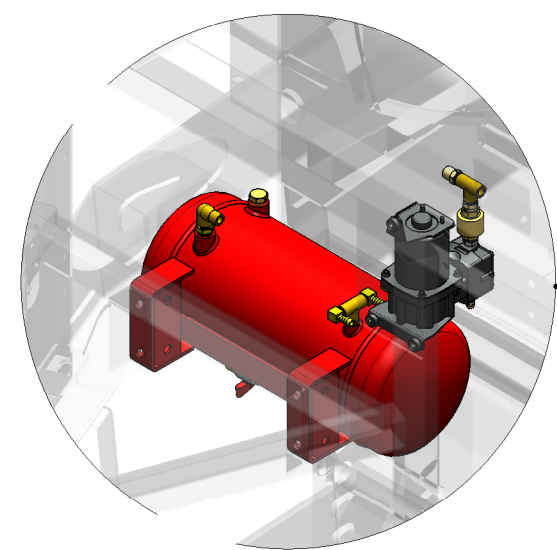


1 2 3 4 5 6 7 8

A  
B  
C  
D  
E  
F

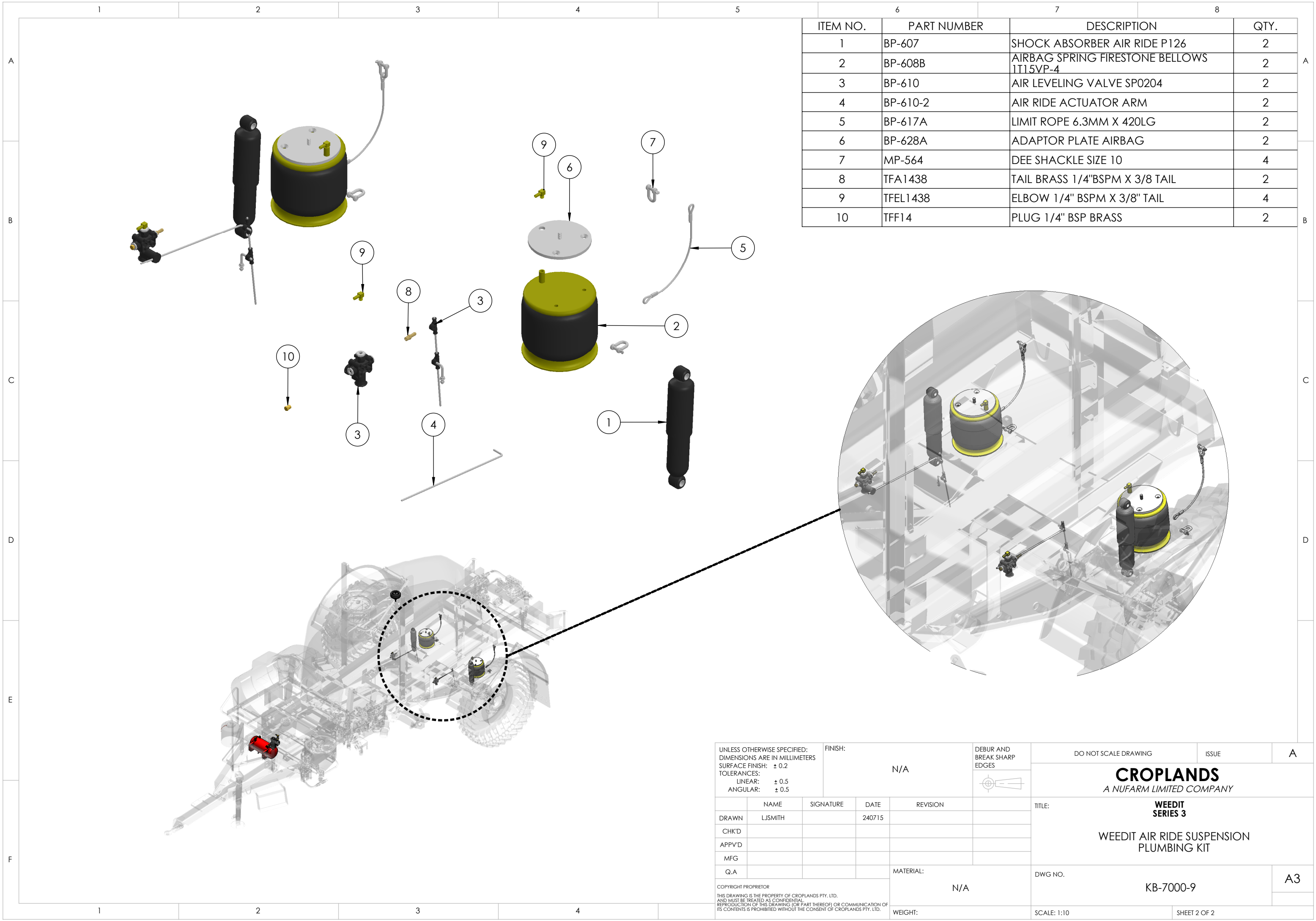


| ITEM NO. | PART NUMBER | DESCRIPTION                     | QTY. |
|----------|-------------|---------------------------------|------|
| 1        | BALL14MF2M  | BALL VALVE MINI 1/2" FF 2 WAY   | 1    |
| 2        | BJHB075-050 | HOSEBARB 3/4" NPT X 1/2" BARB   | 1    |
| 3        | BP-606      | AIR COMP 12V AIR RIDE           | 1    |
| 4        | BP-620      | AIR TANK HK JADE                | 1    |
| 5        | BP-622      | RELIEF VALVE                    | 1    |
| 6        | BP-623      | AIR FILTER SOLBERG              | 1    |
| 7        | FM-FDSOCKET | SOCKET FOAM MARKER DROPPER      | 1    |
| 8        | FM-NRV      | FOAM MARKER NON-RETURN VALVE    | 1    |
| 9        | TFA1438     | TAIL BRASS 1/4"BSPM X 3/8" TAIL | 2    |
| 10       | TFEL1414MF  | ELBOW 1/4" BSPM X 1/4" BSPF     | 1    |
| 11       | TFEL1438    | ELBOW 1/4" BSPM X 3/8" TAIL     | 3    |
| 12       | TFEL3838MF  | ELBOW 3/8" BSPM X 3/8BSPF       | 1    |
| 13       | TFF12       | PLUG 1/2" BSP BRASS             | 1    |
| 14       | TFM1238     | NIPPLE 1/2" X 3/8" BRASS        | 1    |
| 15       | TFM1414     | NIPPLE 1/4" BRASS               | 2    |
| 16       | TFM3814     | NIPPLE 3/8" X 1/4" BRASS        | 2    |
| 17       | TFM3818SS   | NIPPLE 3/8" X 1/8" S/STEEL      | 1    |
| 18       | TFT1414FF   | TEE 1/4" BSPF BRASS             | 3    |



|  |  |                    |   |   |              |   |
|--|--|--------------------|---|---|--------------|---|
| UNLESS OTHERWISE SPECIFIED:<br>DIMENSIONS ARE IN MILLIMETERS<br>SURFACE FINISH: ± 0.2<br>TOLERANCES:<br>LINEAR: ± 0.5<br>ANGULAR: ± 0.5  |  | FINISH:<br><br>N/A | DEBUR AND<br>BREAK SHARP<br>EDGES<br>   | DO NOT SCALE DRAWING  | ISSUE        | A |
| DRAWN: LJSMITH<br>CHK'D:<br>APPV'D:<br>MFG:<br>Q.A:  |  |                    | SIGNATURE:<br>DATE: 240715<br>REVISION: | TITLE:<br><b>CROPLANDS</b><br>A NUFARM LIMITED COMPANY<br><b>WEEDIT<br/>SERIES 3</b><br>AIR RIDE SUSPENSION<br>PLUMBING KIT |              |   |
| MATERIAL:<br><br>N/A   |  |                    | DWG NO.<br><br>KB-7000-9                | A3  |              |   |
| COPYRIGHT PROPRIETOR<br>THIS DRAWING IS THE PROPERTY OF CROPLANDS PTY. LTD.<br>AND MUST BE TREATED AS CONFIDENTIAL.<br>REPRODUCTION OF THIS DRAWING (OR PART THEREOF) OR COMMUNICATION OF<br>ITS CONTENTS IS PROHIBITED WITHOUT THE CONSENT OF CROPLANDS PTY. LTD. |  |                    | WEIGHT:                                 | SCALE: 1:10   | SHEET 1 OF 2 |   |

1 2 3 4



| ITEM NO. | PART NUMBER | DESCRIPTION                              | QTY. |
|----------|-------------|--|------|
| 1        | BP-607      | SHOCK ABSORBER AIR RIDE P126             | 2    |
| 2        | BP-608B     | AIRBAG SPRING FIRESTONE BELLOWS 1T15VP-4 | 2    |
| 3        | BP-610      | AIR LEVELING VALVE SP0204                | 2    |
| 4        | BP-610-2    | AIR RIDE ACTUATOR ARM                    | 2    |
| 5        | BP-617A     | LIMIT ROPE 6.3MM X 420LG                 | 2    |
| 6        | BP-628A     | ADAPTOR PLATE AIRBAG                     | 2    |
| 7        | MP-564      | DEE SHACKLE SIZE 10                      | 4    |
| 8        | TFA1438     | TAIL BRASS 1/4"BSPM X 3/8" TAIL          | 2    |
| 9        | TFEL1438    | ELBOW 1/4" BSPM X 3/8" TAIL              | 4    |
| 10       | TFF14       | PLUG 1/4" BSP BRASS                      | 2    |

UNLESS OTHERWISE SPECIFIED:  
 DIMENSIONS ARE IN MILLIMETERS  
 SURFACE FINISH: ± 0.2  
 TOLERANCES:  
 LINEAR: ± 0.5  
 ANGULAR: ± 0.5

FINISH:

N/A

DEBUR AND  
 BREAK SHARP  
 EDGES



DO NOT SCALE DRAWING

ISSUE

A

**CROPLANDS**  
 A NUFARM LIMITED COMPANY

**WEEDIT  
 SERIES 3**

WEEDIT AIR RIDE SUSPENSION  
 PLUMBING KIT

| NAME   | SIGNATURE | DATE   | REVISION |
|--------|-----------|--------|----------|
| DRAWN  | LJSMITH   | 240715 |          |
| CHK'D  |           |        |          |
| APPV'D |           |        |          |
| MFG    |           |        |          |
| Q.A    |           |        |          |

TITLE:

DWG NO.

KB-7000-9

A3

COPYRIGHT PROPRIETOR  
 THIS DRAWING IS THE PROPERTY OF CROPLANDS PTY. LTD.  
 AND MUST BE TREATED AS CONFIDENTIAL.  
 REPRODUCTION OF THIS DRAWING (OR PART THEREOF) OR COMMUNICATION OF  
 ITS CONTENTS IS PROHIBITED WITHOUT THE CONSENT OF CROPLANDS PTY. LTD.

MATERIAL:  
 N/A

WEIGHT:

SCALE: 1:10

SHEET 2 OF 2