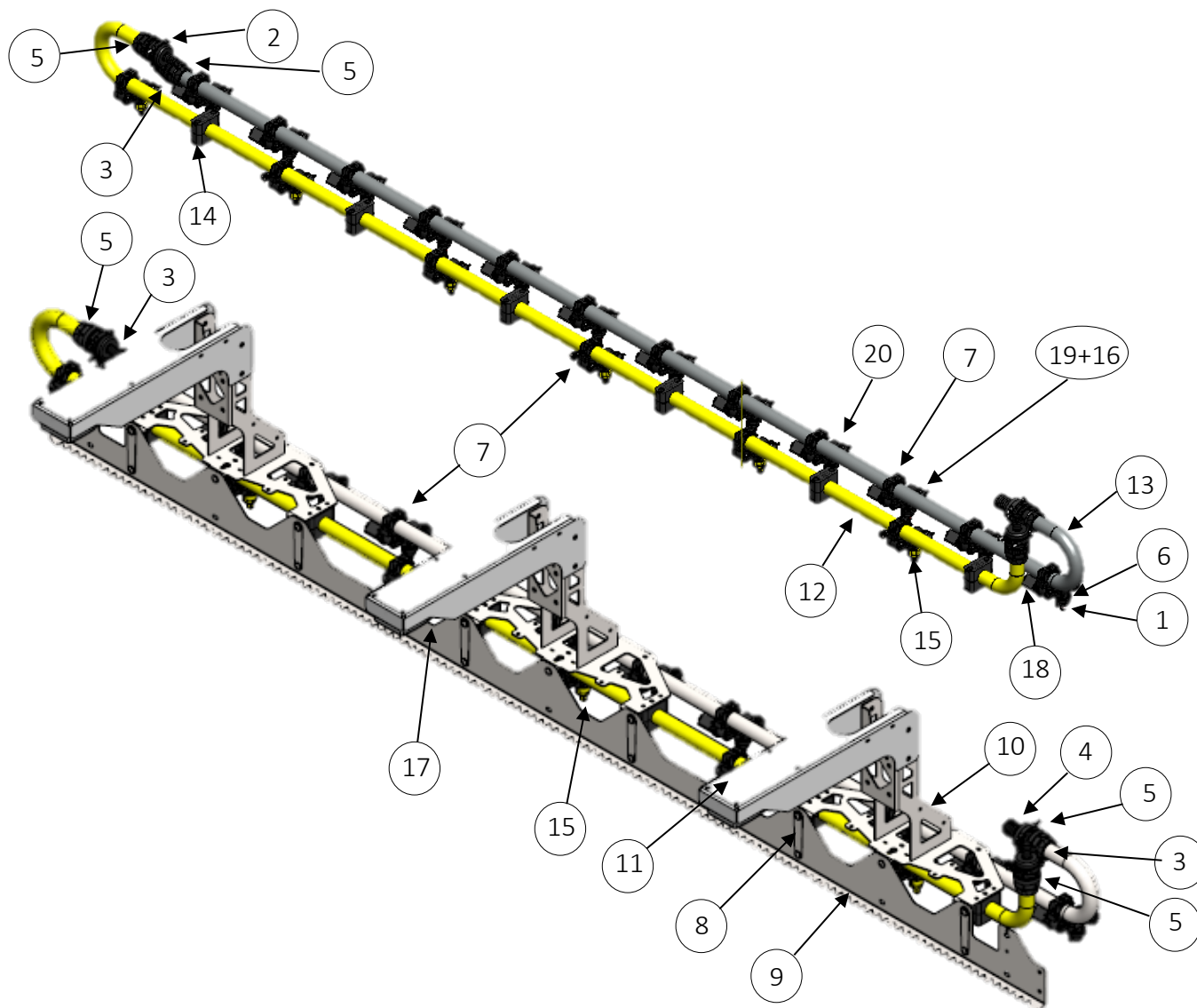


KB-7102-2L

WEEDIT QUADRO INNER ARM 2 LH DUAL



ITEM NO.	PART NUMBER	DESCRIPTION	QTY.
1	AZ-ATF-04-60C	JET FULL CONE ATF 60DEG ISO	12
2	A010005	INLET FORK	3
3	A1090532	HOSE TAIL T5F D32	2
4	A1190520	ELBOW T5F D.20	1
5	A190415	BOOM-END FITTING EASYFIT D.1 T5M	4
6	A40290501	CAP BLACK TO SUIT HOLLOW CONE NOZ	12
7	A4064267	NOZZLE BODY 3 WAY 1"	18
8	MP-332-1	BRACKET NOZZLE PROTECTION BRACE	6
9	MP-333	NOZZLE PROTECTION 2975 SAW	1
10	MP-336	TUBE MOUNT BRACKET SHORT	3
11	MP-340G	WEEDIT BRACKET VER5 GALV	3
12	MP-908B-4	TUBE INNER 6 HOLE 500MM 180DEG	1
13	MP-908W-2	TUBE INNER 12 HOLE 250MM 180DEG	1
14	UP-434	STAUFF CLAMP 33.7 OD X 52MM	6
15	TDCAM-11002	AIR MIX W/CAP QUICKFIT O2	6
16	TP4003E-SS	JET TP #3 40DEG EVEN ST/STEEL	12
17	WI47004360K1	WEEDIT SENSOR QUADRO	3
18	WI47004420	SOLENOID KIT BROWN O RING 6V	12
19	114441-1-CELR	CAP & SEAL BLACK CELCON	12
20	114447-1-CELR	CAP SHUT-OFF WITH SEAL CELCON	24
	M8X20BHSCREW	M8 X 20 BUTTON HEAD SCREW S/S	15
	M8FWASHER	M8 FLAT WASHER ZP	30
	M8NNUT	M8 NYLOC NUT HT ZP	15

NOTE

Drawings are for illustration purposes only - refer to sprayer for actual plumbing. Parts lists are indicative of the sprayer type.

Items in *italics* or without a part number are non stocked items and may need to be specially ordered.

For further parts information refer to www.croplands.com.au