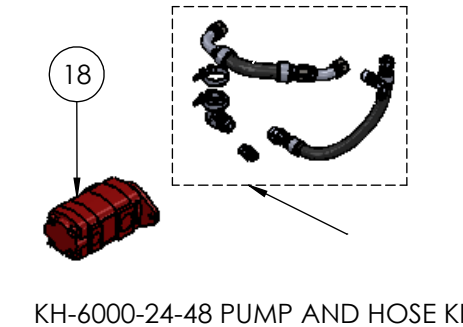
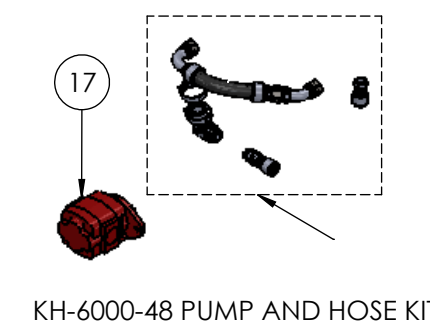
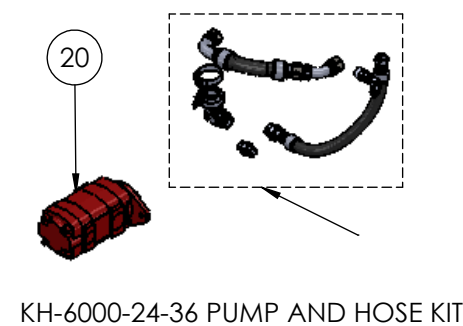
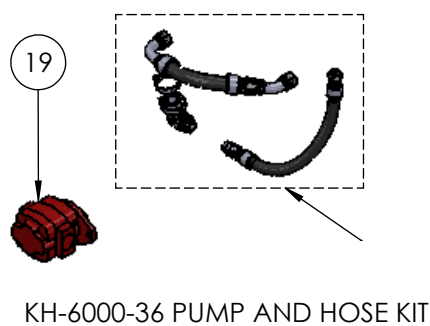


ITEM NO.	PART NUMBER	Description	KH-6000-36 QTY.	KH-6000-36-24 QTY.	KH-6000-48 QTY.	KH-6000-48-24 QTY.
1	B0006	BARE LINCH PIN 7/16" DIA	3	3	3	3
2	B0076	TOP LINK PIN 3" X 7/16"	1	1	1	1
3	B0102	IMPLEMENT PIN CAT 2	2	2	2	2
4	BALL14MF2M	BALL VALVE MINI 1/2" FF 2 WAY	1	1	1	1
5	HP-024-7A	CABLE HOLDER BRACKET SHORT	1	1	1	1
6	HP-024C-7	MICRO GEARBOX AND TANK BRACKET	1	1	1	1
7	HP-024C-8	MICRO MANIFOLD BRACKET	1	1	1	1
8	HP-024C-9	DUAL PUMP SUPPORT BRACKET	-	1	-	1
9	HP-024C	SELF STEER D/BAR FOR 3/4000 3 PTL	1	1	1	1
10	HP-082-1	MICRO TANK ASSEMBLY	1	1	1	1
11	HP-082-2	MICRO MANIFOLD ASSEMBLY	1	1	1	1
12	HP-082-3-36	MICRO PPACK HOSE KIT 36CC	1	-	-	-
13	HP-082-3-3624	MICRO PPACK HOSE KIT 36/24CC	-	1	-	-
14	HP-082-3-48	MICRO PPACK HOSE KIT 48CC	-	-	1	-
15	HP-082-3-4824	MICRO PPACK HOSE KIT 48/24CC	-	-	-	1
16	HP-082-4	MICRO POWER PACK FITTINGS KIT	1	1	1	1
17	HP-082-5	PUMP 48CC MICRO POWER PACK	-	-	1	-
18	HP-082-5A	PUMP 48/24CC DOUBLE	-	-	-	1
19	HP-082-6	PUMP 36CC - MICRO POWER PACK	1	-	-	-
20	HP-082-6A	PUMP 36/24CC DOUBLE ***EST'D SIZE BASESD ON 48/24***	-	1	-	-
21	HP-24C-7-1	MICRO TANK SUPPORT PLATE	1	1	1	1
22	HP-298-26	GEARBOX CAST 97601-6/13	1	1	1	1
23	TFA1438F	TAIL BRASS 1/4" BSPF X 3/8" TAIL	1	1	1	1
24	TFEL1438MM	ELBOW 1/4" BSPM X 3/8" BSPM	1	1	1	1



UNLESS OTHERWISE SPECIFIED: DIMENSIONS ARE IN MILLIMETERS SURFACE FINISH: ± 0.2 TOLERANCES: LINEAR: ± 0.5 ANGULAR: ± 0.5		FINISH: N/A		DEBUR AND BREAK SHARP EDGES 		DO NOT SCALE DRAWING		ISSUE		A	
DRAWN: LJSMITH						TITLE: CROPLANDS A NUFARM LIMITED COMPANY MICRO POWER PACK					
CHK'D:						BREAK DOWN FOR KH-6000-36, KH-6000-36-24, KH-6000-48, KH-6000-48-24					
APPV'D:						DWG NO. KH-6000 KITS					
MFG:						SCALE: 1:20					
Q.A:						SHEET 1 OF 1					
MATERIAL: N/A						A3					
WEIGHT:											

COPYRIGHT PROPRIETOR
THIS DRAWING IS THE PROPERTY OF CROPLANDS PTY. LTD.
AND MUST BE TREATED AS CONFIDENTIAL.
REPRODUCTION OF THIS DRAWING (OR PART THEREOF) OR COMMUNICATION OF
ITS CONTENTS IS PROHIBITED WITHOUT THE CONSENT OF CROPLANDS PTY. LTD.