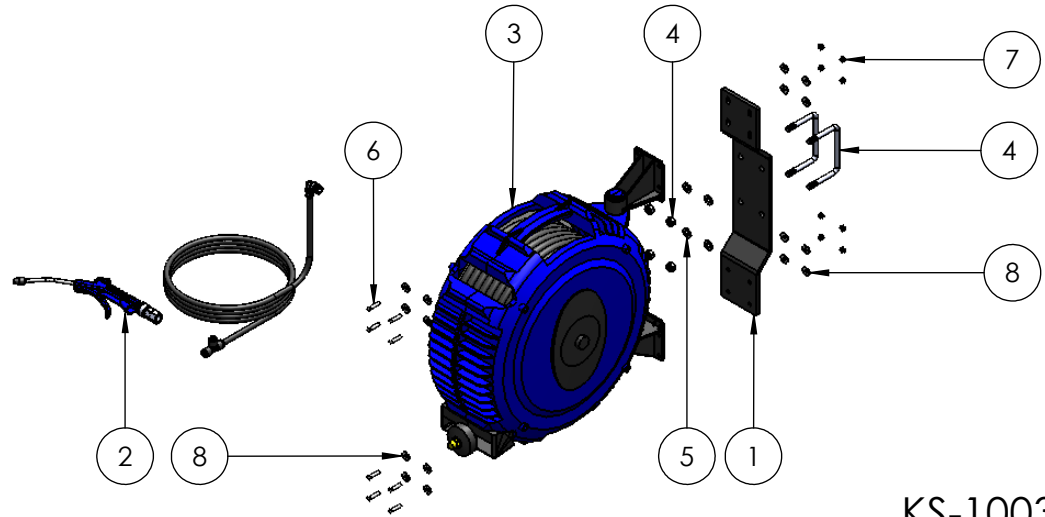



ITEM NO.	PART NUMBER	DESCRIPTION	QTY.
1	SP-010	HOSEREEL BRACKET ROGATOR	1
2	SP-023	PNEUMATIC FITTING KIT HOSEREEL	1
3	L-R3000	RETRACTABLE REEL 16M 10MM	1
4	AC402086X1	U-BOLT .38-16 X 4.06 X 3	2
5		3/8" NYLOC NUT HT ZP	4
6		3/8" FLAT WASHER ZP	4
7		5/16" X 1 1/4" HEX SCREW S/S G304	8
8		5/16" NYLOC NUT S/S G304	8
9		5/16" FLAT WASHER S/S G304	16



KS-1003 PARTS ILLUSTRATION
 THIS DRAWING IS FOR ILLUSTRATION PURPOSE ONLY
 PLEASE REFER TO THE PARTS LIST.

UNLESS OTHERWISE SPECIFIED: DIMENSIONS ARE IN MILLIMETERS SURFACE FINISH: ± 0.2 TOLERANCES: LINEAR: ± 0.5 ANGULAR: ± 0.5		FINISH: N/A		DEBUR AND BREAK SHARP EDGES 		DO NOT SCALE DRAWING	ISSUE	A
DRAWN		NAME	SIGNATURE	DATE	REVISION	CROPLANDS A NUFARM LIMITED COMPANY ROGATOR 1386 HOSEREEL BRACKET ASSEMBLY PARTS ILLUSTRATION		
CHK'D								
APPV'D								
MFG								
Q.A								
COPYRIGHT PROPRIETOR		MATERIAL:		N/A		DWG NO.	A4	
THIS DRAWING IS THE PROPERTY OF CROPLANDS PTY. LTD. REPRODUCTION OF THIS DRAWING (OR PART THEREOF) OR COMMUNICATION OF ITS CONTENTS IS PROHIBITED WITHOUT THE CONSENT OR AUTHORITY OF CROPLANDS PTY. LTD.		WEIGHT:				SCALE: 1:15	SHEET 1 OF 1	