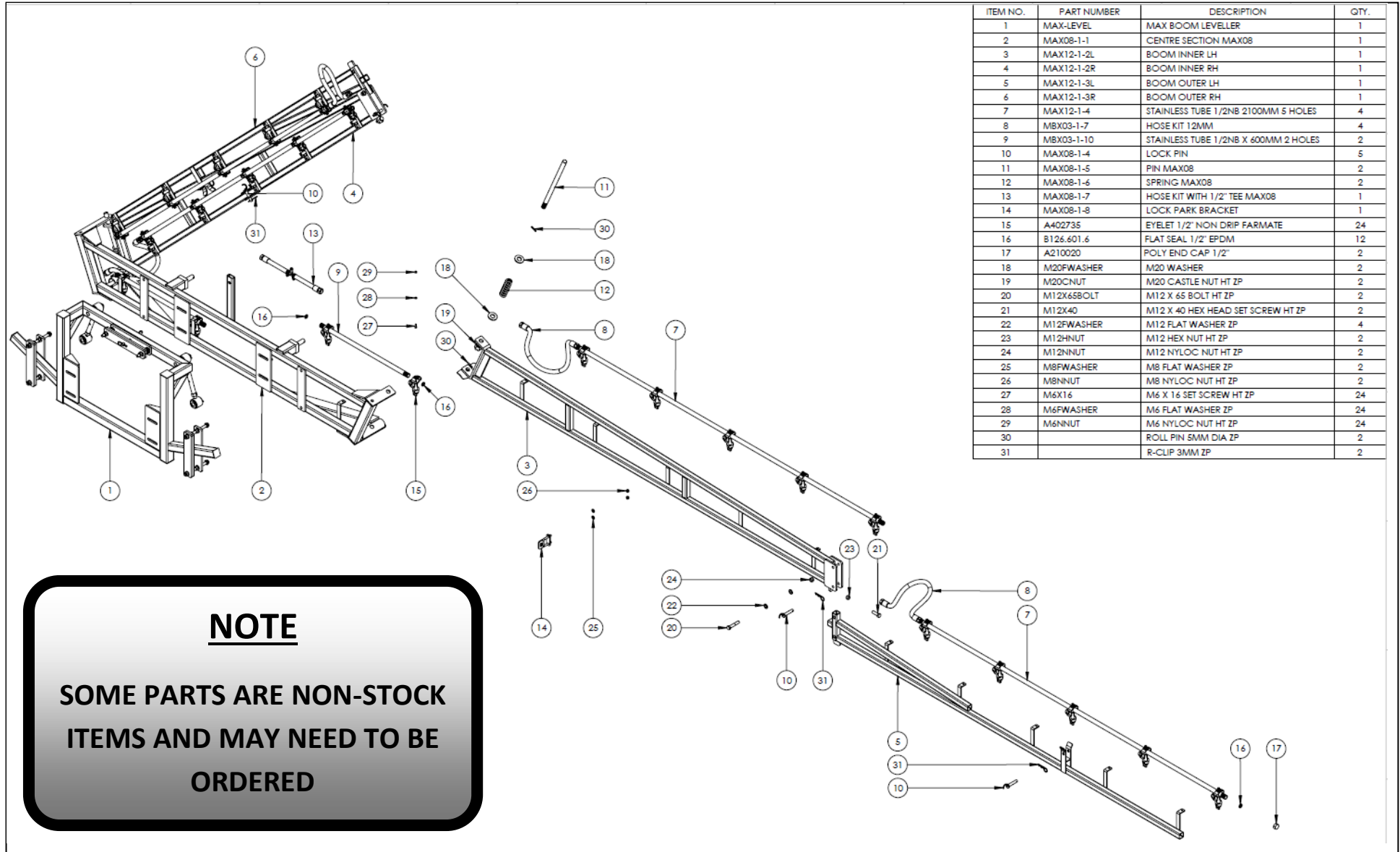


CROPLANDS PART NUMBERS: MAX12L-1 – MAX 12M BOOM WITH LEVELER (BARE)

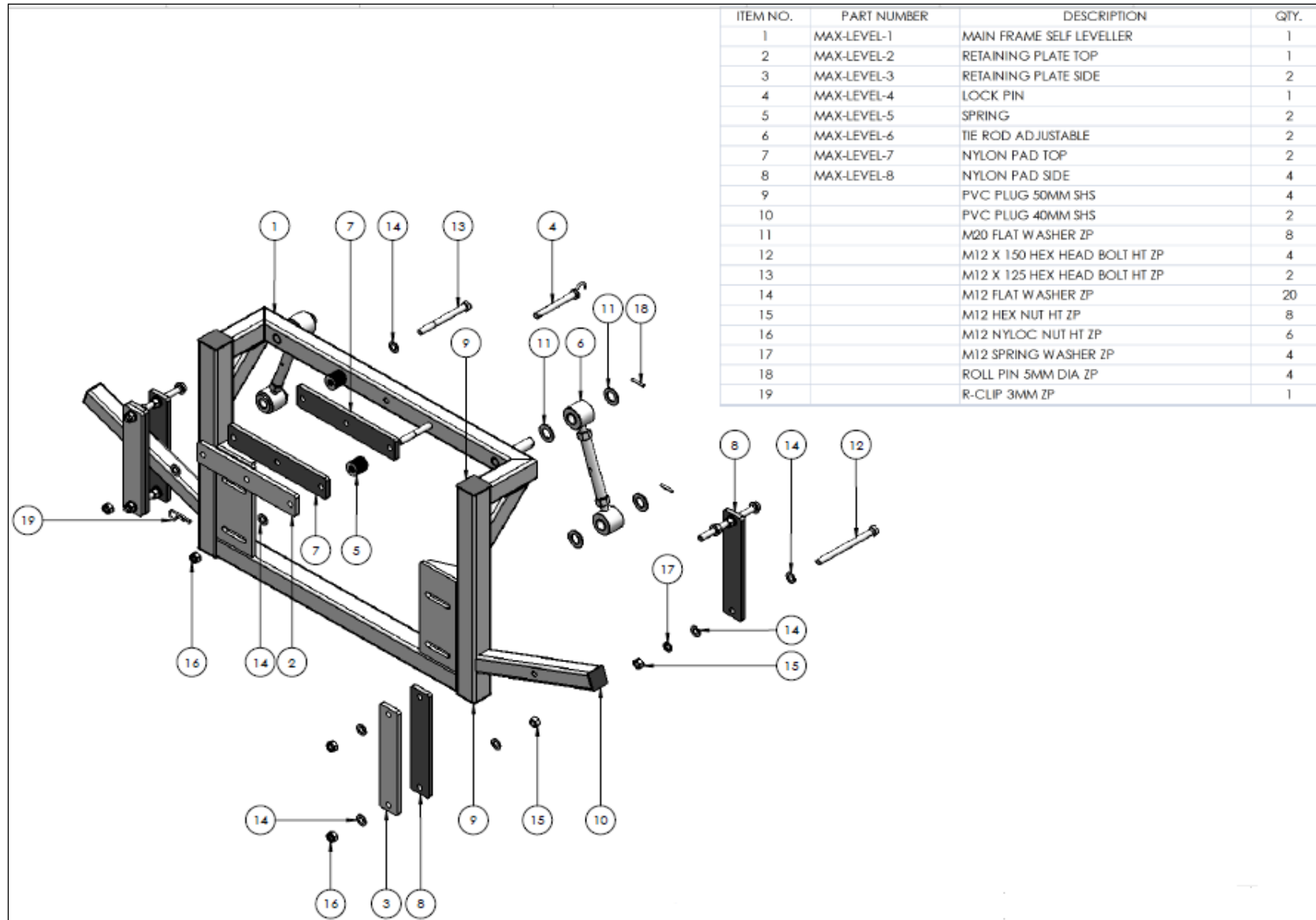
WHERE USED: MAX12L, LA700/80/12ML, LA1000/80/12ML



ITEM NO.	PART NUMBER	DESCRIPTION	QTY.
1	MAX-LEVEL	MAX BOOM LEVELLER	1
2	MAX08-1-1	CENTRE SECTION MAX08	1
3	MAX12-1-2L	BOOM INNER LH	1
4	MAX12-1-2R	BOOM INNER RH	1
5	MAX12-1-3L	BOOM OUTER LH	1
6	MAX12-1-3R	BOOM OUTER RH	1
7	MAX12-1-4	STAINLESS TUBE 1/2NB 2100MM 5 HOLES	4
8	MBX03-1-7	HOSE KIT 12MM	4
9	MBX03-1-10	STAINLESS TUBE 1/2NB X 600MM 2 HOLES	2
10	MAX08-1-4	LOCK PIN	5
11	MAX08-1-5	PIN MAX08	2
12	MAX08-1-6	SPRING MAX08	2
13	MAX08-1-7	HOSE KIT WITH 1/2" TEE MAX08	1
14	MAX08-1-8	LOCK PARK BRACKET	1
15	A402735	EYELET 1/2" NON DRIP FARMATE	24
16	B126.601.6	FLAT SEAL 1/2" EPDM	12
17	A210020	POLY END CAP 1/2"	2
18	M20FWASHER	M20 WASHER	2
19	M20CNUT	M20 CASTLE NUT HT ZP	2
20	M12X65BOLT	M12 X 65 BOLT HT ZP	2
21	M12X40	M12 X 40 HEX HEAD SET SCREW HT ZP	2
22	M12FWASHER	M12 FLAT WASHER ZP	4
23	M12HNUT	M12 HEX NUT HT ZP	2
24	M12NNUT	M12 NYLOC NUT HT ZP	2
25	M8FWASHER	M8 FLAT WASHER ZP	2
26	M8NNUT	M8 NYLOC NUT HT ZP	2
27	M6X16	M6 X 16 SET SCREW HT ZP	24
28	M6FWASHER	M6 FLAT WASHER ZP	24
29	M6NNUT	M6 NYLOC NUT HT ZP	24
30		ROLL PIN 5MM DIA ZP	2
31		R-CLIP 3MM ZP	2

NOTE

SOME PARTS ARE NON-STOCK
ITEMS AND MAY NEED TO BE
ORDERED



ITEM NO.	PART NUMBER	DESCRIPTION	QTY.
1	MAX-LEVEL-1	MAIN FRAME SELF LEVELLER	1
2	MAX-LEVEL-2	RETAINING PLATE TOP	1
3	MAX-LEVEL-3	RETAINING PLATE SIDE	2
4	MAX-LEVEL-4	LOCK PIN	1
5	MAX-LEVEL-5	SPRING	2
6	MAX-LEVEL-6	TIE ROD ADJUSTABLE	2
7	MAX-LEVEL-7	NYLON PAD TOP	2
8	MAX-LEVEL-8	NYLON PAD SIDE	4
9		PVC PLUG 50MM SHS	4
10		PVC PLUG 40MM SHS	2
11		M20 FLAT WASHER ZP	8
12		M12 X 150 HEX HEAD BOLT HT ZP	4
13		M12 X 125 HEX HEAD BOLT HT ZP	2
14		M12 FLAT WASHER ZP	20
15		M12 HEX NUT HT ZP	8
16		M12 NYLOC NUT HT ZP	6
17		M12 SPRING WASHER ZP	4
18		ROLL PIN 5MM DIA ZP	4
19		R-CLIP 3MM ZP	1