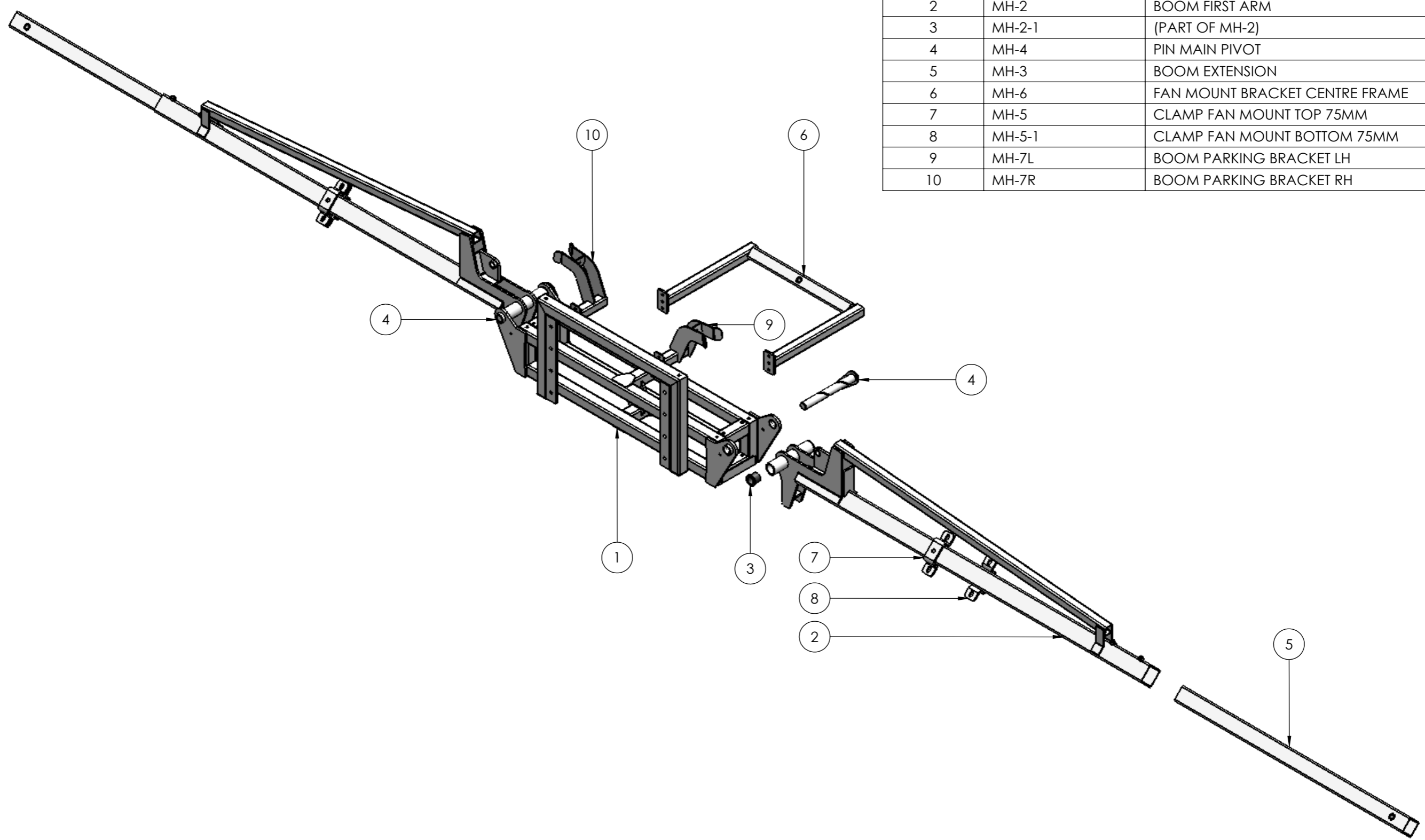


1 2 3 4 5 6 7 8

| ITEM NO. | PART NUMBER | DESCRIPTION | QTY. |
|----------|-------------|--------------------------------|------|
| 1 | MH-1 | BOOM CENTRE SECTION HORIZON | 1 |
| 2 | MH-2 | BOOM FIRST ARM | 2 |
| 3 | MH-2-1 | (PART OF MH-2) | 4 |
| 4 | MH-4 | PIN MAIN PIVOT | 2 |
| 5 | MH-3 | BOOM EXTENSION | 2 |
| 6 | MH-6 | FAN MOUNT BRACKET CENTRE FRAME | 1 |
| 7 | MH-5 | CLAMP FAN MOUNT TOP 75MM | 2 |
| 8 | MH-5-1 | CLAMP FAN MOUNT BOTTOM 75MM | 2 |
| 9 | MH-7L | BOOM PARKING BRACKET LH | 1 |
| 10 | MH-7R | BOOM PARKING BRACKET RH | 1 |



A
B
C
D
E
F

A
B
C
D
E
F

| UNLESS OTHERWISE SPECIFIED: DIMENSIONS ARE IN MILLIMETERS SURFACE FINISH: ± 0.2 TOLERANCES: LINEAR: ± 0.5 ANGULAR: ± 0.5 | | FINISH: N/A | DEBUR AND BREAK SHARP EDGES | DO NOT SCALE DRAWING | ISSUE | A | | | | | | | | | | | | | | | | | | | | | | | |
|--|-----------|--------------------|---------------------------------------|----------------------|--------------|----------|-------|--------|--------|--|-------|--|--|--|--------|--|--|--|-----|--|--|--|-----|--|--|--|---|--|--|
| <table border="1"> <thead> <tr> <th>NAME</th> <th>SIGNATURE</th> <th>DATE</th> <th>REVISION</th> </tr> </thead> <tbody> <tr> <td>DRAWN</td> <td>RPJUCO</td> <td>170614</td> <td></td> </tr> <tr> <td>CHK'D</td> <td></td> <td></td> <td></td> </tr> <tr> <td>APPV'D</td> <td></td> <td></td> <td></td> </tr> <tr> <td>MFG</td> <td></td> <td></td> <td></td> </tr> <tr> <td>Q.A</td> <td></td> <td></td> <td></td> </tr> </tbody> </table> | | | NAME | SIGNATURE | DATE | REVISION | DRAWN | RPJUCO | 170614 | | CHK'D | | | | APPV'D | | | | MFG | | | | Q.A | | | | <p>CROPLANDS A NUFARM LIMITED COMPANY</p> <p>TITLE: HORIZON BOOM</p> <p>HORIZON BOOM PARTS ASSEMBLY</p> | | |
| NAME | SIGNATURE | DATE | REVISION | | | | | | | | | | | | | | | | | | | | | | | | | | |
| DRAWN | RPJUCO | 170614 | | | | | | | | | | | | | | | | | | | | | | | | | | | |
| CHK'D | | | | | | | | | | | | | | | | | | | | | | | | | | | | | |
| APPV'D | | | | | | | | | | | | | | | | | | | | | | | | | | | | | |
| MFG | | | | | | | | | | | | | | | | | | | | | | | | | | | | | |
| Q.A | | | | | | | | | | | | | | | | | | | | | | | | | | | | | |
| <p>COPYRIGHT PROPRIETOR THIS DRAWING IS THE PROPERTY OF CROPLANDS PTY. LTD. AND MUST BE TREATED AS CONFIDENTIAL. REPRODUCTION OF THIS DRAWING (OR PART THEREOF) OR COMMUNICATION OF ITS CONTENTS IS PROHIBITED WITHOUT THE CONSENT OF CROPLANDS PTY. LTD.</p> | | | MATERIAL: N/A | DWG NO. | MH BOOM | A3 | | | | | | | | | | | | | | | | | | | | | | | |
| | | | WEIGHT: | SCALE: 1:15 | SHEET 1 OF 1 | | | | | | | | | | | | | | | | | | | | | | | | |

1 2 3 4