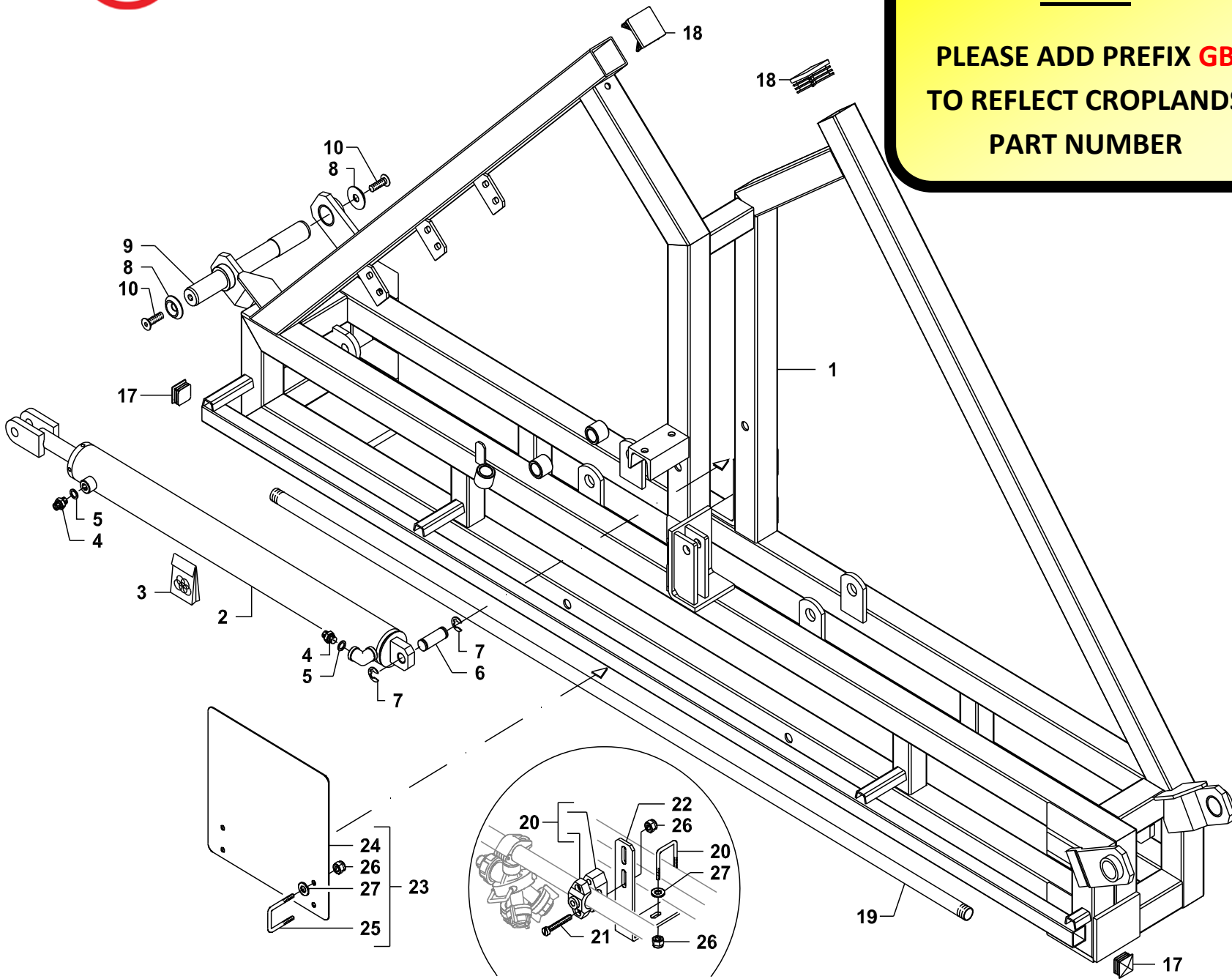
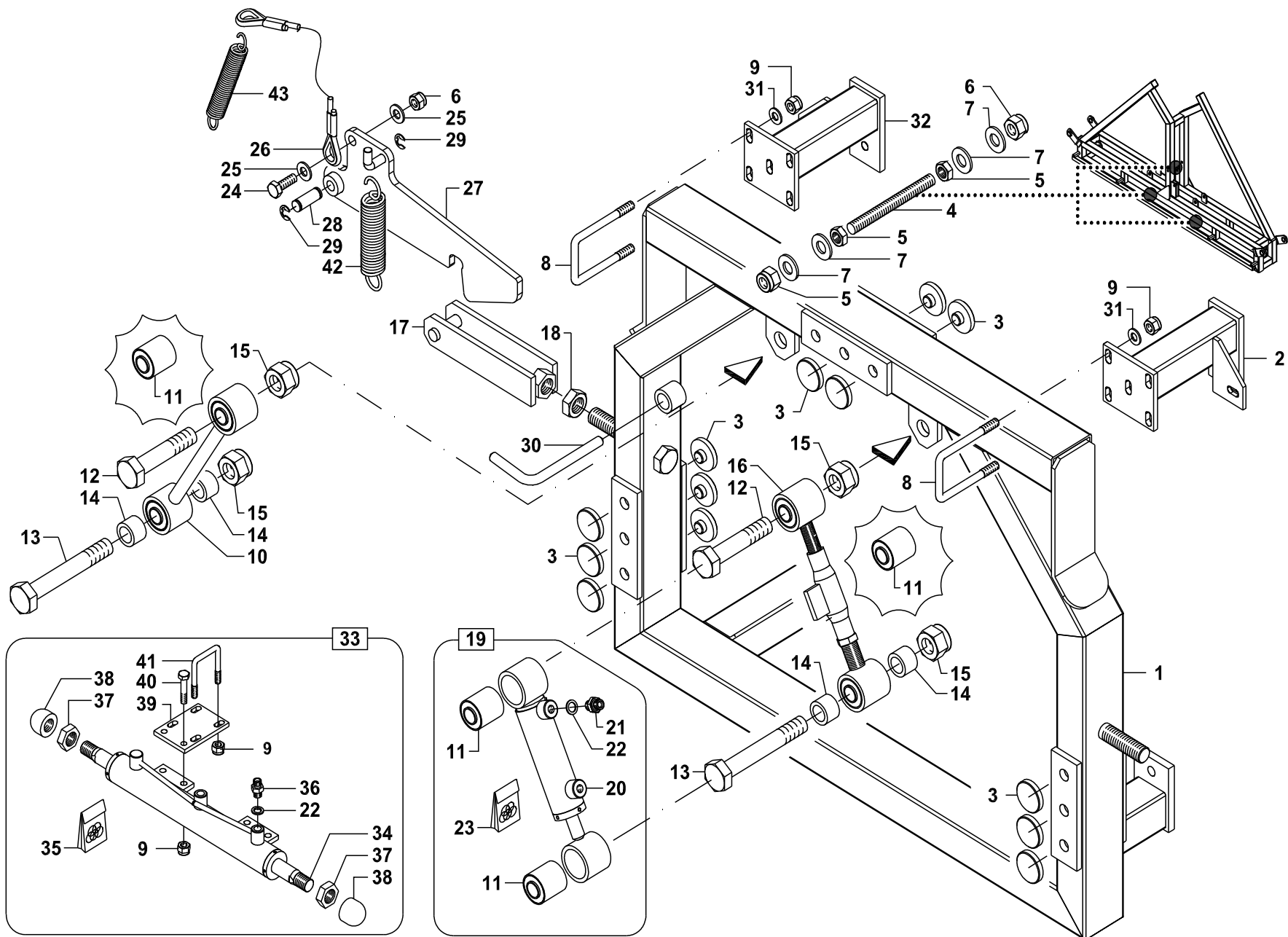


NOTE
PLEASE ADD PREFIX GB
TO REFLECT CROPLANDS
PART NUMBER



- 1 BG026966
- 2 BG011047
- 3 GG996000192
- 4 GG570500008Z
- 5 BB50243113
- 6 GG500100010Z
- 7 GG919800021X
- 8 GG500400004Z
- 9 GG500100032
- 10 GG900710025Z
- 17 GG950130030
- 18 GG950150050
- 19 GG550401500
- 19 GG550501500
- 20 GGA00425130
- 21 BB50112041
- 22 BG028332
- 23 GG999900004Z
- 24 GG999900467
- 25 GG201800065V
- 26 GG500500004Z
- 27 GG905300006
- 28 GG907106018Z

4 fori/holes
 5 fori/holes

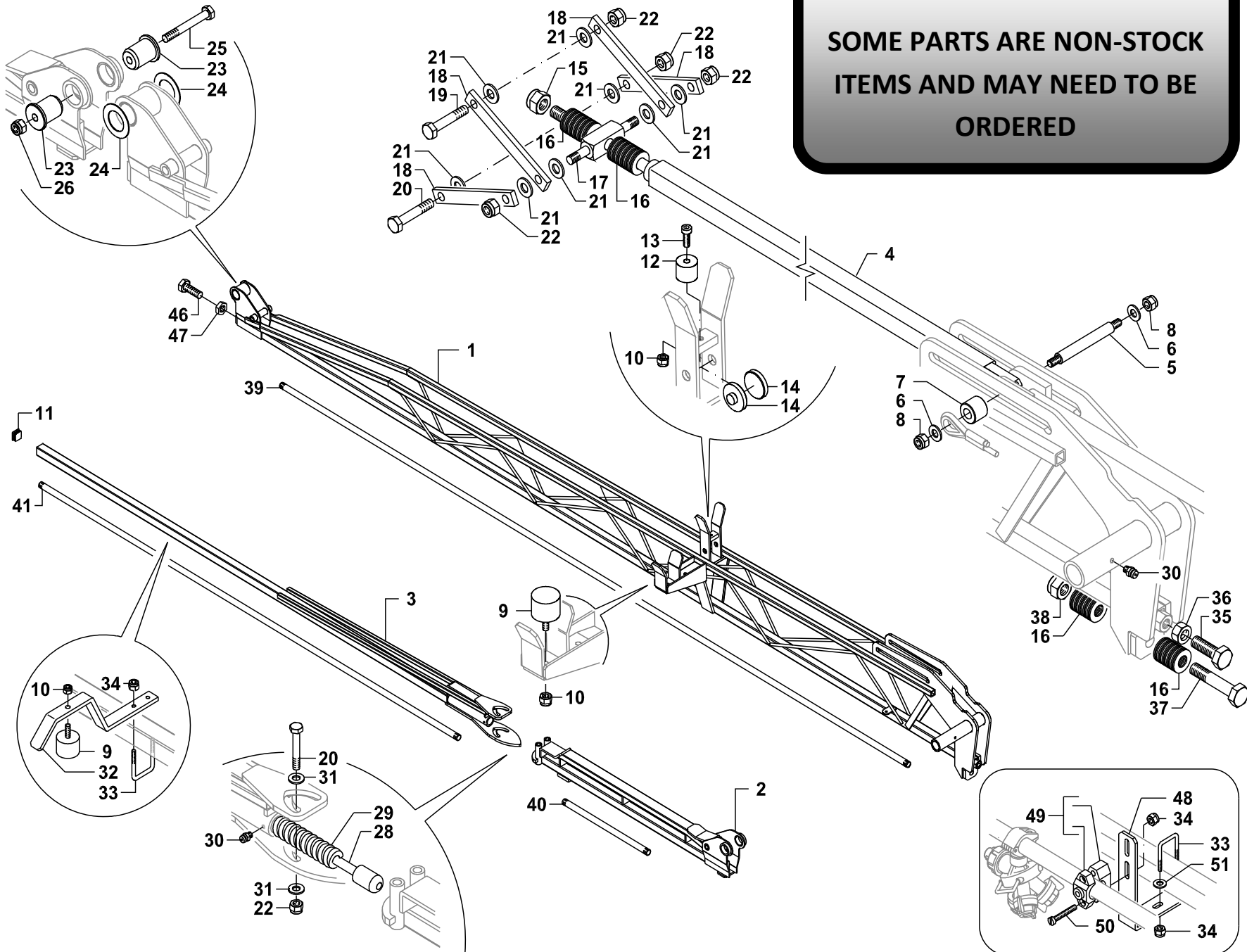


1	BG027484
2	BG027485
3	GG950200020
4	GG500100040Z
5	GG905100014Z
6	GG905400014
7	GG907114042Z
8	GG500500006Z
9	GG905300010
10	GG993805002Z
11	GG950300003
12	GG900320080Z
13	GG900320120Z
14	GG500200016Z
15	GG905400020
16	GG993805003Z
17	BG013330
18	GG905200020Z
19	GG997000006
20	GG701632002V
21	GG570500006Z
22	BB50243113
23	GG996000203
24	GG900114040Z
25	GG907014028Z
26	BG013329
27	BG013286
28	GG500100011Z
29	GG919800021X
30	BG015799
31	GG907010021Z
32	BG028289
33	GG993809002
34	GG702540009V
35	GG996000178
36	GG570500011Z
37	GG905200022Z
38	GG501100007
39	GG501100002V
40	GG900110030Z
41	GG500500002Z
42	BG011809
43	BG020395

BDX

NOTE

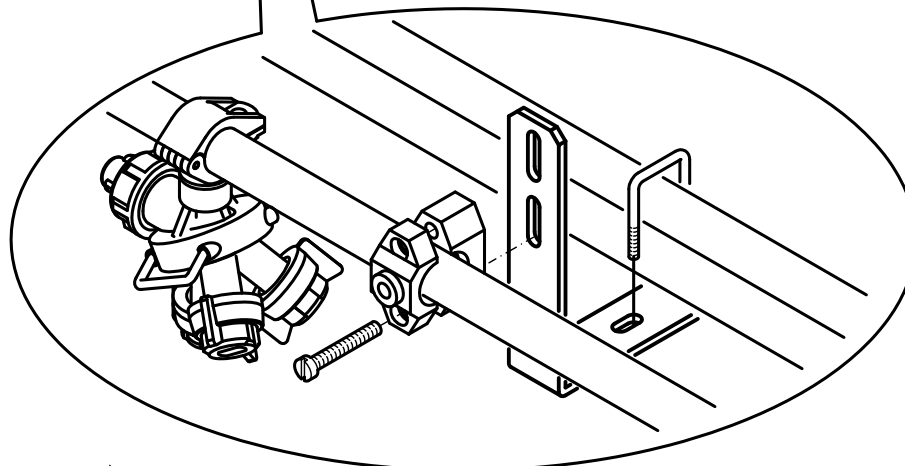
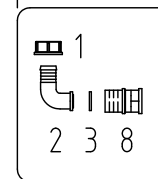
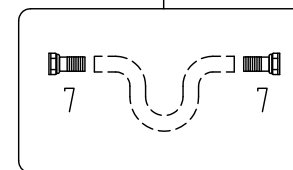
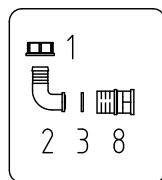
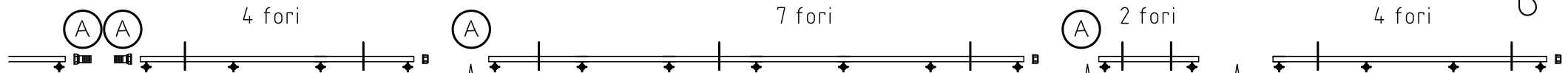
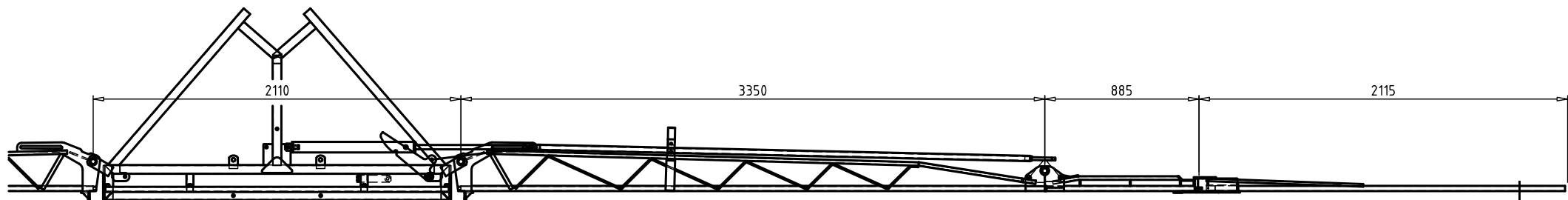
**SOME PARTS ARE NON-STOCK
ITEMS AND MAY NEED TO BE
ORDERED**










- 1 BG026972
- 2 BG011072
- 3 BG007852
- 4 BG011821
- 5 BG013332
- 6 GG907111030Z
- 7 BG013331
- 8 GG905300010
- 9 GG950200001
- 10 GG905400008
- 11 GG950130030
- 12 GG950200002
- 13 GG900508012Z
- 14 GG950200020
- 15 GG905400016
- 16 GG911634920
- 17 GG161200061Z
- 18 GG171500026Z
- 19 GG500512096Z
- 20 GG500512116Z
- 21 GG911225915
- 22 GG905400012
- 23 GG500200005Z
- 24 GG500400011
- 25 GG900310100Z
- 26 GG905400010
- 28 GG161200075Z
- 29 GG919900045V
- 30 GG919800020
- 31 GG907012025Z
- 32 BG027895
- 33 GG500500004Z
- 34 GG905300006
- 35 GG900116050Z
- 36 GG905200016Z
- 37 GG900316110Z
- 38 GG905400016
- 39 GG550701500
- 40 GG550110005
- 41 GG550501500
- 42 GG500600002Z
- 43 GG900508022Z
- 44 GG906000008Z
- 45 GG999900004Z
- 46 GG900114040Z
- 47 GG905100014Z
- 48 BG028332
- 49 GGA00425130
- 50 BB50112041
- 51 GG907106018Z

7 fori / holes
1 foro / hole
5 fori / holes

BDX 15 m



- 1-  GIRELLO 3/4" (A00200030)
- 2-  PORTAGOMMA 90° 3/4" D=13 (A00115313)
- 3-  GUARNIZIONE PIANA 3/4" (A00G40013)
- 7-  KIT PORTAGOMMA D=13 (999900035)
- 8-  RIDUZIONE M 3/4" - F 1/2" (A002452032S)
-  KIT TAPPO NYLON F1/2" (999900008)
-  KIT FASCIA DI PROTEZIONE

Particolare Barra "BDX" 15m passo 500mm 5 Al.13				Codice BG013722	
Inizio Validità 26/10/04	Ultima Revisione 01.10.2012	Disegnatore T.Bacchilega	Approvato da M.Caroli	 BARGAM <small>BARIGELLI GAMBETTI</small> BARGAM S.p.A. DIVISIONE SPRAYERS - 40026 IMOLA (BO) DIVISIONE MACCHINE - Fraz.ne STRADA 62011 CINGOLI (MC)	
Directory Bargam/ BDX		File BG013722	Cliente		
Proprietà riservata - Riproduzione vietata - La ditta tutela i propri diritti sui disegni a termine di legge.					