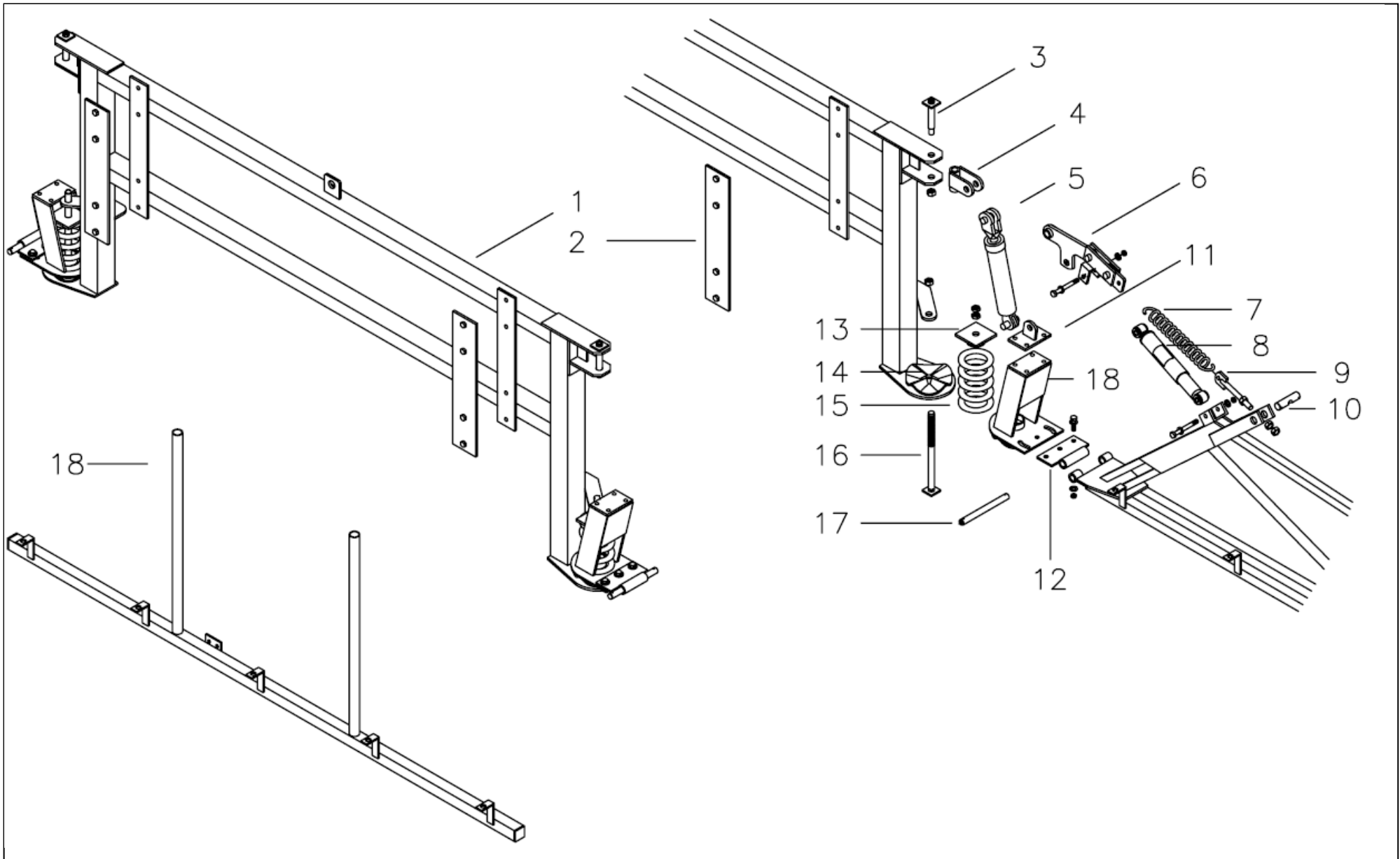
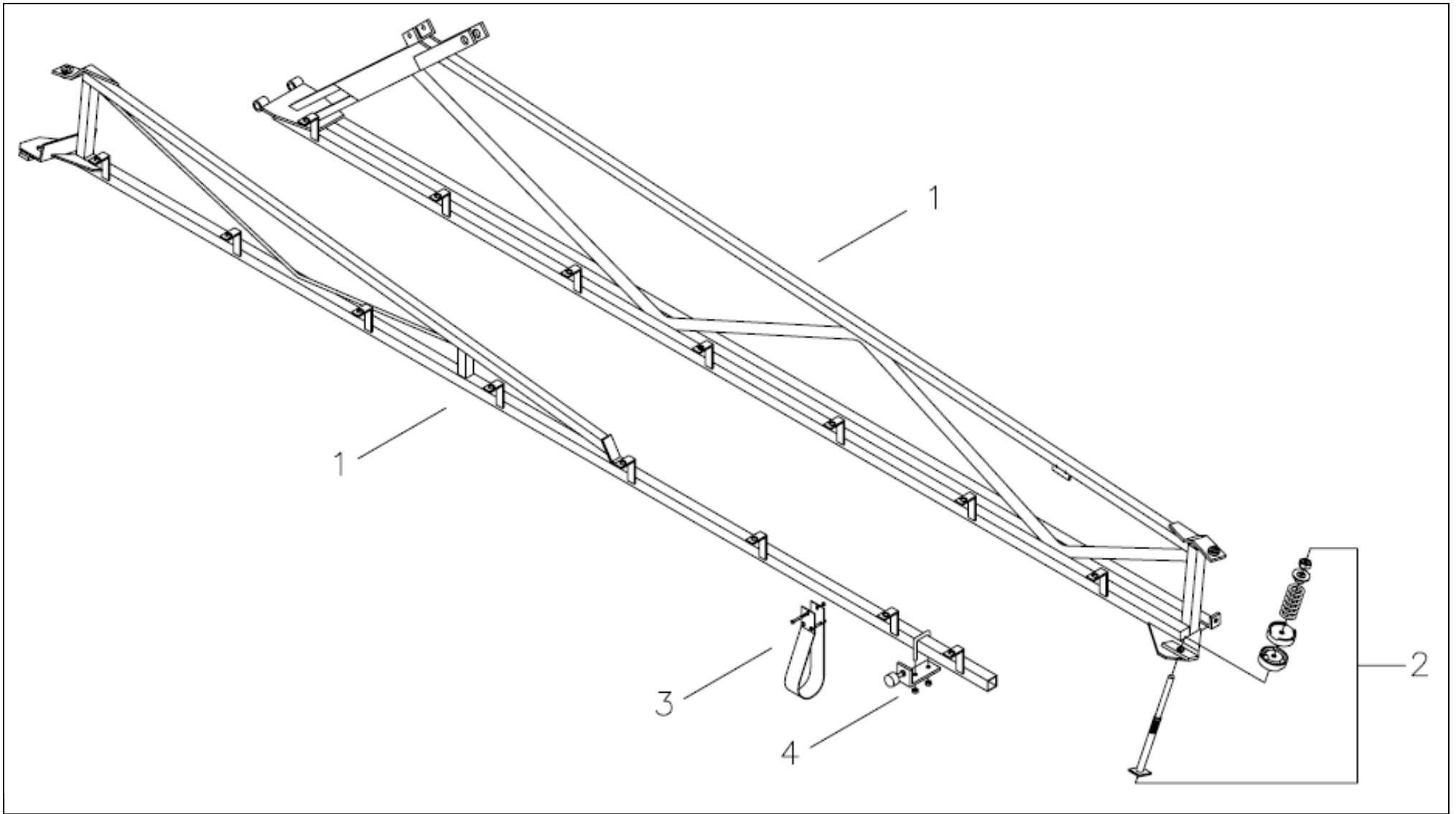


CROPLANDS PART NUMBERS: ML16-BARE – LANDMASTER BOOM 16m





ITEM No.	PART NUMBER	DESCRIPTION	QTY
1	ML16/1	CENTRE SECTION ASSEMBLY	1
2	ML16/1A	CLAMP PLATE	2
3	MP-411	PIN, TOP	2
4	MP-412	HINGE, TOP	2
5	MP-407	CYLINDER	2
6	MP-404 (MP-404/18)	KNEE ACTION ASSEMBLY	2
7	MP-519	SPRING	2 (4/18m)
8	MTSA	SHOCK ABSORBER	2
9	MP-413	ADJUSTING SCREW	2 (4/18m)
10	MP-414 (MP-414/18)	PIN	2
11	MP-420	CYLINDER MOUNT CLEVIS	2
12	MP-417	HINGE PLATE	2
13	MP-418	PLATE, SPRING	2
14	MP-406	WAVE PLATE	4
15	MP-405	SPRING	2
16	MP-415	THREADED ROD	2
17	MP-416	PIN, HINGE	2
18	MP-420	PIVOT ARM ASSEMBLY	2

WING ASSEMBLY

ITEM No.	PART NUMBER	DESCRIPTION	QTY
1	ML16/R2	LANDMASTER BOOM, R.H.	1
	ML16/L2	LANDMASTER BOOM, L.H.	1
2	MP-419	BREAK AWAY ASSEMBLY	2
3	MP-521	SKID	2
4	MP-520	BUMPER BRACKET ASSEMBLY	2

NOTE

SOME PARTS ARE NON-STOCK
ITEMS AND MAY NEED TO BE
ORDERED