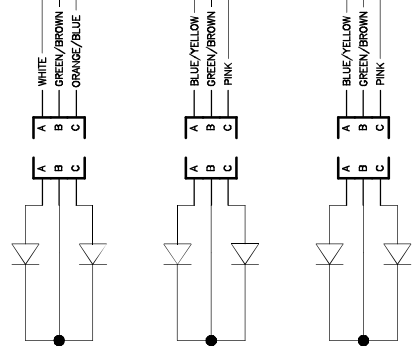


- JOINS MT90LOOM/1D
- A SECTION 1 WHITE
 - B SECTION 2 ORANGE/BLUE
 - C SECTION 3 BLUE/YELLOW
 - D SECTION 4 PINK
 - E BLANK
 - F 12 +ve RED
 - G GROUND BLACK
 - H DUMP BLUE/BLACK
 - J FLOW 12+ve GREEN/BROWN
 - K BLANK

- JOINS MT90LOOM/1D
4 PIN W/PACK
- A BLANK
 - B BLANK
 - C SECTION 3 BLUE
 - D BLANK

- JOINS MT90LOOM/1D
ORANGE BAND
3 PIN M/PACK
- A SECTION 5 BROWN
 - B BLANK
 - C BLANK



MT90LOOM/1C6T
6 SECTION + FLOW POWER
SPRAYER VALVE LOOM

