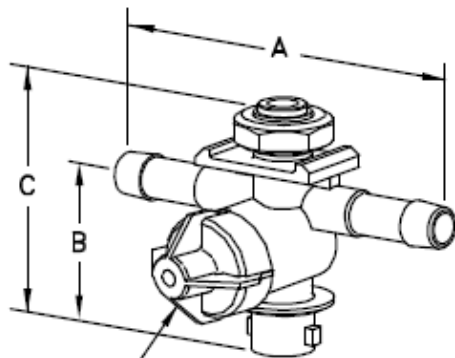
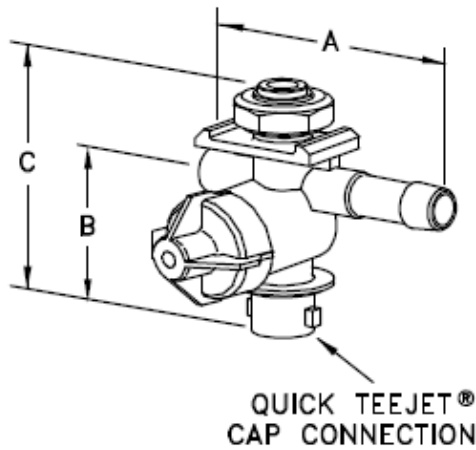
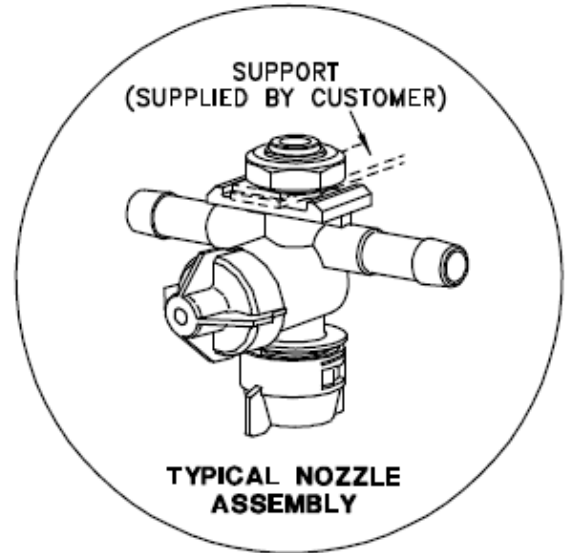
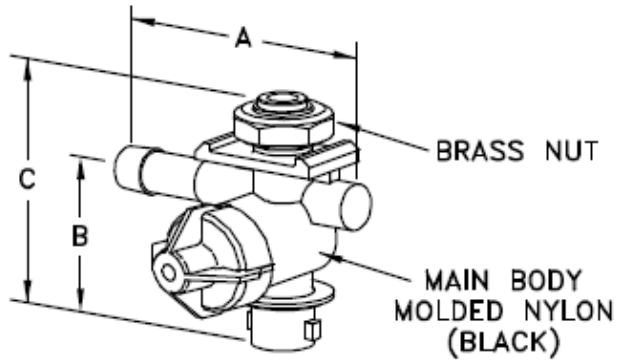


## CROPLANDS PART NUMBERS: QJ39685-1R500-N –TEEJET SINGLE 1/2" RIGHT NOZZLE BODY



No. 21950-10-NYB  
CHEMSAVER® END CAP  
ASB. NYLON (BLACK)

### FEATURES:

- USED WITH QUICK TEEJET® CAPS
- HOSE SHANK AVAILABLE AS SINGLE (LEFT OR RIGHT) OR DOUBLE FOR 1/2" I.D. HOSE
- MADE OF CORROSION RESISTANT MATERIALS
- DRIP FREE POSITIVE SHUT-OFF
- MAXIMUM OPERATING PRESSURE – 300 PSI (20 bar)

STYLE	BODY No.	"A" DIM. (APPROX.)	"B" DIM. (APPROX.)	"C" DIM. (APPROX.)
SINGLE RIGHT	QJ39685-1R-500-NYB	2 3/4" (70 mm)	1 25/32" (45 mm)	3" (76 mm)
SINGLE LEFT	QJ39685-1L-500-NYB	2 3/4" (70 mm)	1 25/32" (45 mm)	3" (76 mm)
DOUBLE	QJ39685-2-500-NYB	3 3/4" (95 mm)	1 25/32" (45 mm)	3" (76 mm)

ITEM	PART NO.	DESCRIPTION
1	CP39689	11/16-16 Nut, Brass
2A	CP39687-500-NYB	Single (Right) Hose Shank Body, Nylon (Black) (For QJ39685-1R--)
2B	CP39688-500-NYB	Single (Left) Hose Shank Body, Nylon (Black) (For QJ39685-1L--)
2C	CP39686-500-NYB	Double Hose Shank Body, Nylon (Black) (For QJ39685-2--)
3	21950-10-NYB	ChemSaver® End Cap Assembly, Nylon (Black)
4	CP21953-EPR	Diaphragm, EPDM Rubber (Standard)
	CP21953-VI	Diaphragm, VITON® Fluoroelastomer (Optional)
5	CP6227-TEF*	Diaphragm, TEFLON® Fluoropolymer Resin (Optional)
QJ39685-1R-500-NYB, Single Right Hose Shank Diaphragm Check Valve		
QJ39685-1L-500-NYB, Single Left Hose Shank Diaphragm Check Valve		
QJ39685-2-500-NYB, Double Hose Shank Diaphragm Check Valve		

\*When the CP6227-TEF Diaphragm is used, it is placed in the assembly in front of the CP21953-EPR or CP21953-VI Diaphragm.

