

CROPLANDS PART NUMBERS: QJ7421-3/4-NYB –TEEJET 3/4" SPLIT EYELET NOZZLE BODY

U.S. PATENT No.'S, 4527745, D280125, OTHER U.S. AND FOREIGN PATENTS GRANTED OR PENDING.

UPPER CLAMP POLYPROPYLENE (BLACK)

BODY WITH LOWER CLAMP MOLDED OF NYLON (BLACK)

O-RING SEAL

SELF TAPPING SCREW STAINLESS STEEL

STRAINER

SEAT GASKET

LOCATING LUG (ON BOTH SIDES)

TEEJET SPRAY TIP – FLAT SPRAY PATTERN AUTOMATICALLY POSITIONED AT 15° OFF-SET FROM BOOM AXIS.

QUICK TEEJET® CAP WITH GROOVES THAT FIT LOCATING LUGS OF BODY – CELCON. YELLOW COLOR STANDARD. (OTHER COLORS OPTIONAL)

TO INSTALL ASSEMBLY DRILL 3/8" (9.5 mm) HOLE IN PIPE, DEBURR, THEN INSERT SPLIT-EYELET INLET AND CLAMP ASSEMBLY IN PLACE

OTHER FEATURES:

- FAST AND EASY WAY TO MOUNT SPRAY NOZZLES TO A BOOM.
- QUICK CHANGE OF INTERCHANGEABLE TEEJET®, FLOODJET® AND CONEJET® TIPS... AS WELL AS DISC-CORE COMBINATIONS.
- MADE OF CORROSION RESISTANT MATERIALS.
- STANDARD O-RING IS BUNA-N. VITON® OPTIONAL.
- THE TWO CLAMP SCREWS CAN ALSO BE USED TO ATTACH THE SPRAY BOOM TO A FLAT METAL BRACKET OR PLATE SUPPORT.
- No. CP1943B-EPR SEAT GASKET MADE OF EPDM. No. CP1943B-VI VITON® OPTIONAL.
- MAXIMUM OPERATING PRESSURE – 300 PSI (20 bar).

QJ7421-- SPLIT-EYELET QUICK TEEJET NOZZLES ARE SUPPLIED COMPLETE WITH NOZZLE BODY, QUICK TEEJET CAP, AND SEAT GASKET... TOGETHER WITH SPRAY TIP (AND STRAINER IF RECOMMENDED FOR TIP SIZE).

HOW TO ORDER:

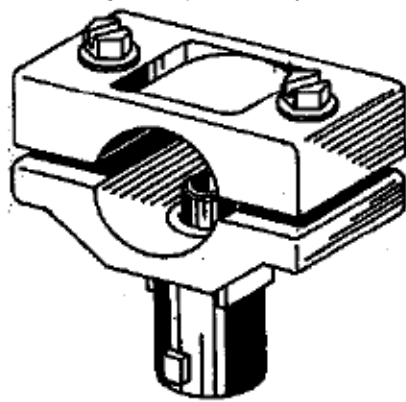
FOR SPLIT-EYELET QUICK TEEJET BODY ASB. ONLY (LESS CAP, SEAT GASKET, TIP & STRAINER:
SPECIFY BODY ASSEMBLY No.

EXAMPLE: QJ7421-1/2-NYB SPLIT-EYELET QUICK TEEJET BODY ASSEMBLY

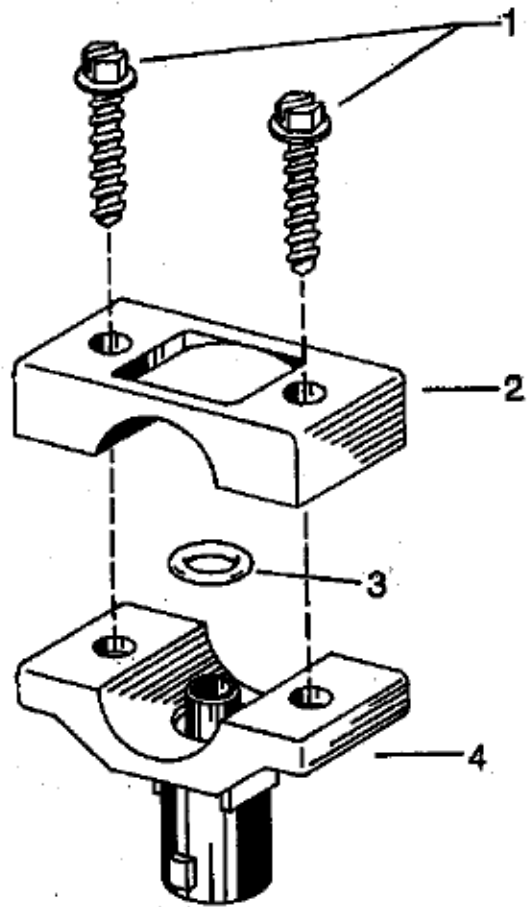
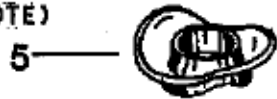
FOR COMPLETE NOZZLE: SPECIFY THE BODY ASB. No., SPRAY TIP No., MATERIAL.

EXAMPLES: QJ7421-1/2-NYB+8002-SS SPLIT-EYELET QUICK TEEJET NOZZLE WITH STAINLESS STEEL TIP
QJ7421-1/2-NYB+TK-2 SPLIT-EYELET QUICK TEEJET NOZZLE WITH BRASS FLOODJET TIP

BODY ASSEMBLY No.	"A" APPROX.	"B"	TO CLAMP ON
QJ7421-1/2-NYB	2 1/4" (56 mm)	1 3/16" (30 mm)	1/2" PIPE, 13/16" & 7/8" O.D. TUBINGS (20-22 mm O.D.)
QJ7421-3/4-NYB	2 3/8" (60 mm)	1 3/16" (30 mm)	3/4" PIPE, 1" & 1 1/16" O.D. TUBINGS (25-27 mm O.D.)
QJ7421-1-NYB	2 1/2" (62 mm)	1 3/16" (30 mm)	1" PIPE, 1 1/8", 1 1/4", 1 3/8" O.D. TUBINGS (32-35 mm O.D.)



(SEE NOTE)



NOTE: Item No. 5 is a special seal designed for use on booms which already have 7/16" dia. drilled holes or - 1/4" NPT(F) tapped holes. When used, it replaces Item No. 3

ITEM	PART NO.	DESCRIPTION
* 1	CP17674-1 1/4-SS	Screw, Stainless Steel (2 Req'd)
2	CP17553-PPB	Upper Clamp, Polypropylene (Black)
3	CP7717-2-110-BU	O'Ring, Buna-N (Standard)
	GP7717-2-110-VI	O'Ring, Viton (Optional)
4	CP18667-NYB	Body, Nylon (Black)
5	CP18294-EPR	Seal, EPDM Rubber (Optional)
	CP18294-VI	Seal, Viton (Optional)
No. QJ7421-1-NYB Split Eyelet Quick TeeJet Body Assembly		

* CP17674-1 3/8-SS, Screw (Optional), for attaching to mounting plate