

QUANTUM MIST SPRAYERS - HP-223C CONTROL

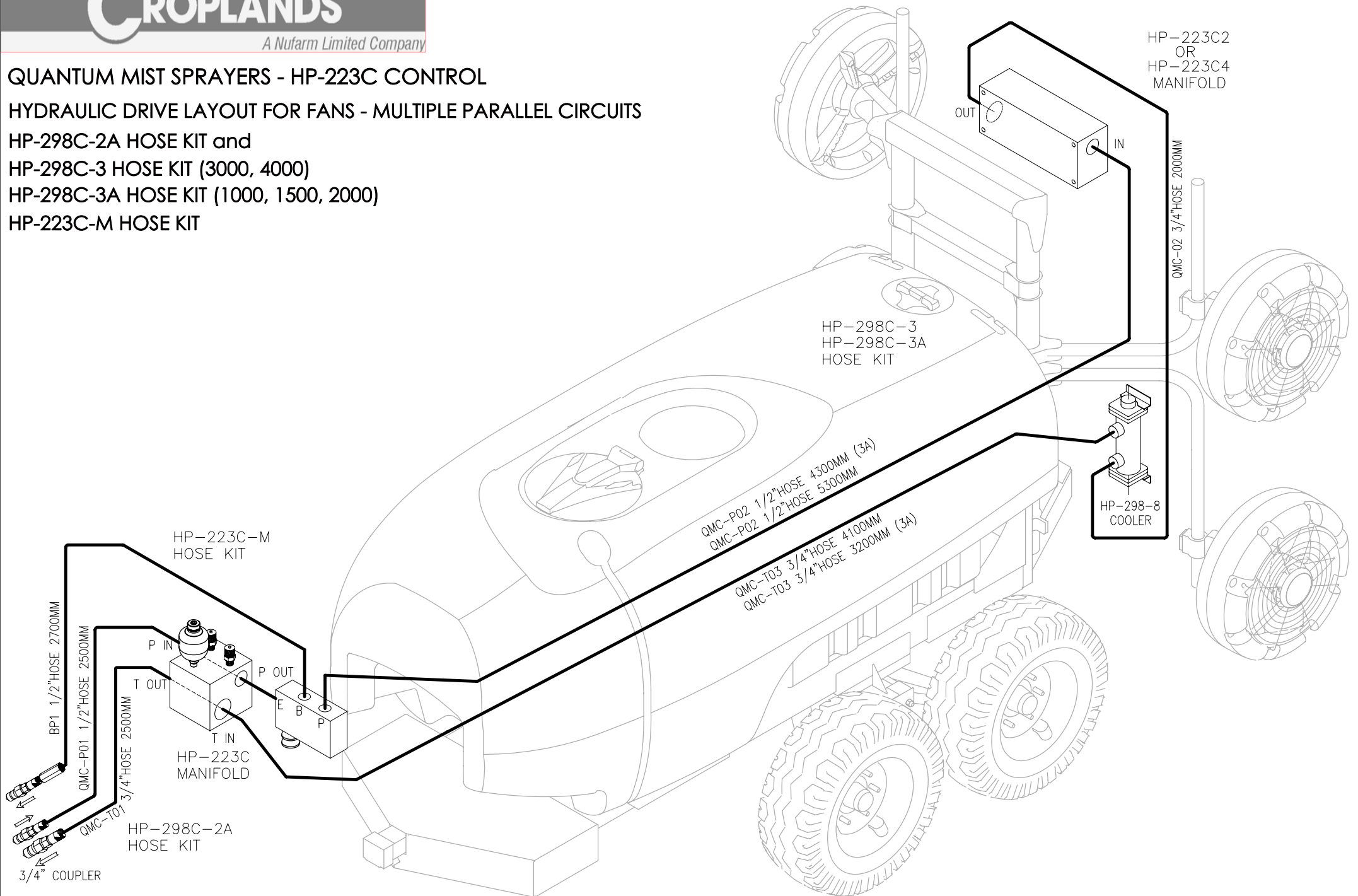
HYDRAULIC DRIVE LAYOUT FOR FANS - MULTIPLE PARALLEL CIRCUITS

HP-298C-2A HOSE KIT and

HP-298C-3 HOSE KIT (3000, 4000)

HP-298C-3A HOSE KIT (1000, 1500, 2000)

HP-223C-M HOSE KIT



Ryco Kit QMQ8 Manual Speed Control c/w Press Comp Valve

Hoses

Code = HP-223C-M

31/07/2009

Pressure & Tank

| LABEL No. | LOCATION | DESCRIPTION | QUANTITY |
|-----------|---------------------|--------------------------------|----------|
| BP1 | Tractor to PC Valve | T18a C/L 2700mm, T204-0814 x 2 | 1 |

Fittings

| PART No. | LOCATION | DESCRIPTION | QUANTITY |
|----------------|----------------------|------------------------------------|----------|
| S74-0814 | PC Valve & Chk Vv | 1/2" BSPPM x 7/8" JICM | 2 |
| S90-1417 | HP-223C P Out | 7/8" JICM x 1 1/16" UNOM | 1 |
| S71-0814 | PC Valve | 1/2" BSPPM x 7/8" JICFM | 1 |
| S74-0817 | PC Valve | 1/2" BSPPM x 1 1/16" JICM | 1 |
| S46-0808 | Inline Chk Vv | 1/2" BSPPM x 1/2" BSPPM | 1 |
| RCV-0808 | Return hose end | 1/2" BSPP Inline check Valve | 1 |
| S15-1717 | PC Valve | 1 1/16" JICM x 1 1/16" JICFM 90deg | 1 |
| R81-08M | Pressure Tractor end | 1/2" Quick Release coupling male | 1 |
| QDC-08 | Pressure Tractor end | Dust Cap | 1 |
| OM.42.03-80-03 | VRFC3C Valve | Pressure Compensated Flow Control | 1 |