

High volume electric automatic demand diaphragm pump

Most popular
Boom Spraying
Pump



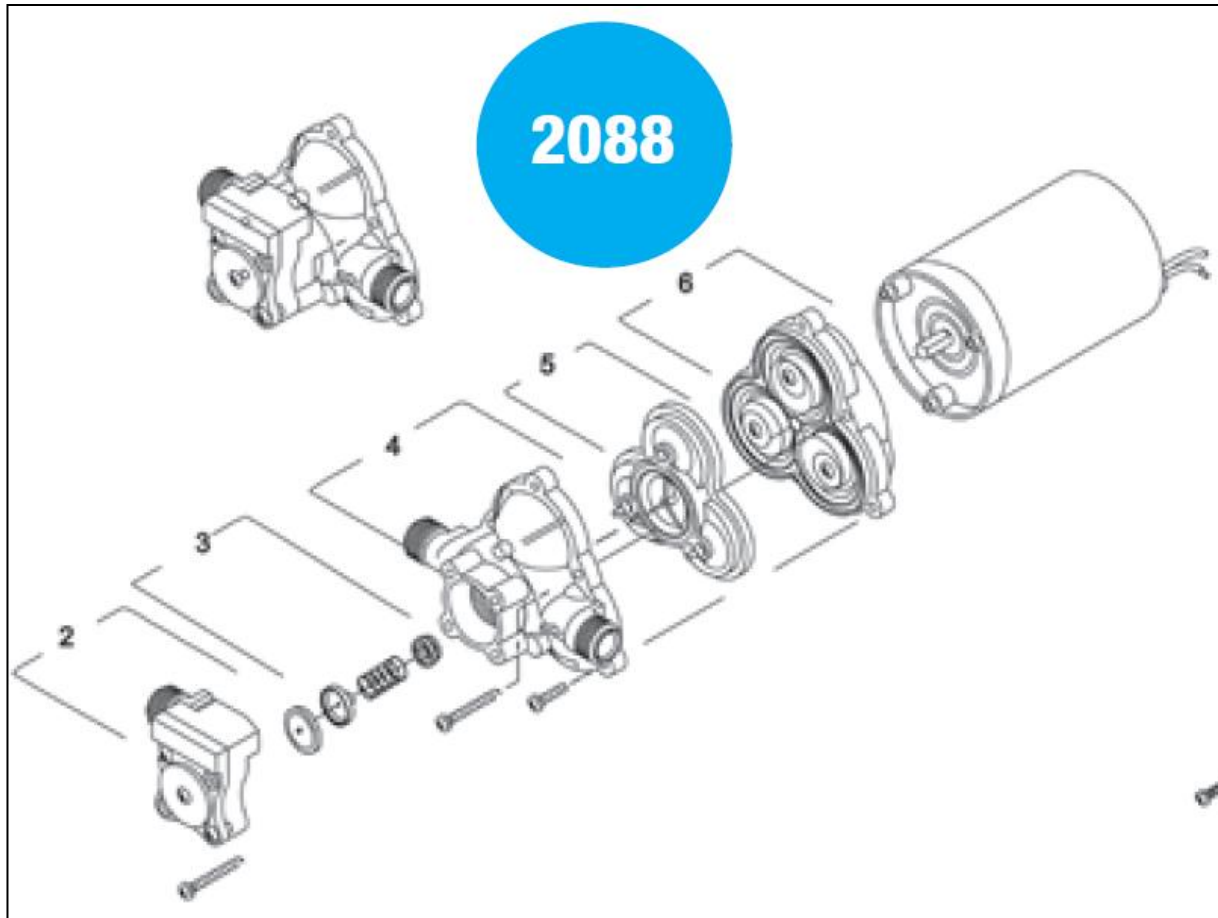
2088 Series 12 Volt DC Pump

SHURflo 2088 Series diaphragm pumps deliver reliable performance in high flow, moderate pressure applications. They are used in a variety of spot spraying, multi-tip boom spraying and fertilizer drip applications that require flows of up to 13.6 l/min (3.6 GPM).

- Self-priming up to 3.7m (12 Feet)
- Chemical-resistant materials
- Can run dry without damage
- Automatic demand
- Built-in check valve prevents back flow of fluid into the solution tank

CODE	DESCRIPTION	VOLT.	MAX. GPM/LPM (OPEN FLOW)	MAX PSI/BAR	PORT SIZE	MAX DRAW (AMPS)	PSI	BAR	GPM	L/MIN	AMPS
2088-343-135	Standard Pump: Viton® valves, Santoprene® diaphragm, 45 PSI demand switch	12V DC	3.0 / 11.3	40 / 2.8	1/2" MSPT* Male	7.7	10 20 30 40	0.7 1.4 2.1 2.8	2.80 2.69 2.36 2.05	10.6 10.2 8.9 7.8	5.3 5.5 6.7 7.7

*1/2" – 14 National American Straight Pipe Thread. Requires SHURflo swivel type fittings.



NOTE

SOME PARTS ARE NON-STOCK
ITEMS AND MAY NEED TO BE
ORDERED

NOTE

PLEASE ADD PREFIX **SHU** TO
PART NUMBER TO REFLECT
CROPLANDS PART NUMBER

MODEL NUMBER	2 SWITCH KIT	3 CHECK VALVE KIT	4 UPPER HOUSING KIT	5 VALVE ASS'Y KIT	6 DIAPHRAGM & DRIVE ASS'Y KIT
2088-343-135	94-230-36	94-237-05	94-231-30	94-232-05	94-238-03