

CROPLANDS PART NUMBERS: SHU5059-1311-D012 – PUMP 12V 60PSI 20.1LPM SANTO DIAPRAGM/VITON VALVES

5059 Series Diaphragm Pump

5 GPM Automatic-Demand Pumps 12 VDC



- Delivers 5 GPM [20.1 L/min] free flow - 3.8 GPM at 40 PSI
- [14.4 L/min at 2.75 bar] with current draw of 13 amps
- Field-proven pump head design
- Driven by a 12-volt, continuous-duty, sealed motor
- Self-priming capabilities, up to 8 feet [2.4 m]
- Santoprene® diaphragm for chemical resistance and maximum life
- Viton® valves provide maximum chemical resistance
- Built-in pressure switch, set at 60 PSI [4.14 bar], protects the pump in the event of dead-heading
- Available in the same footprint as other SHURflo pumps, allowing users to upgrade to a higher performance on existing installations

Order Information

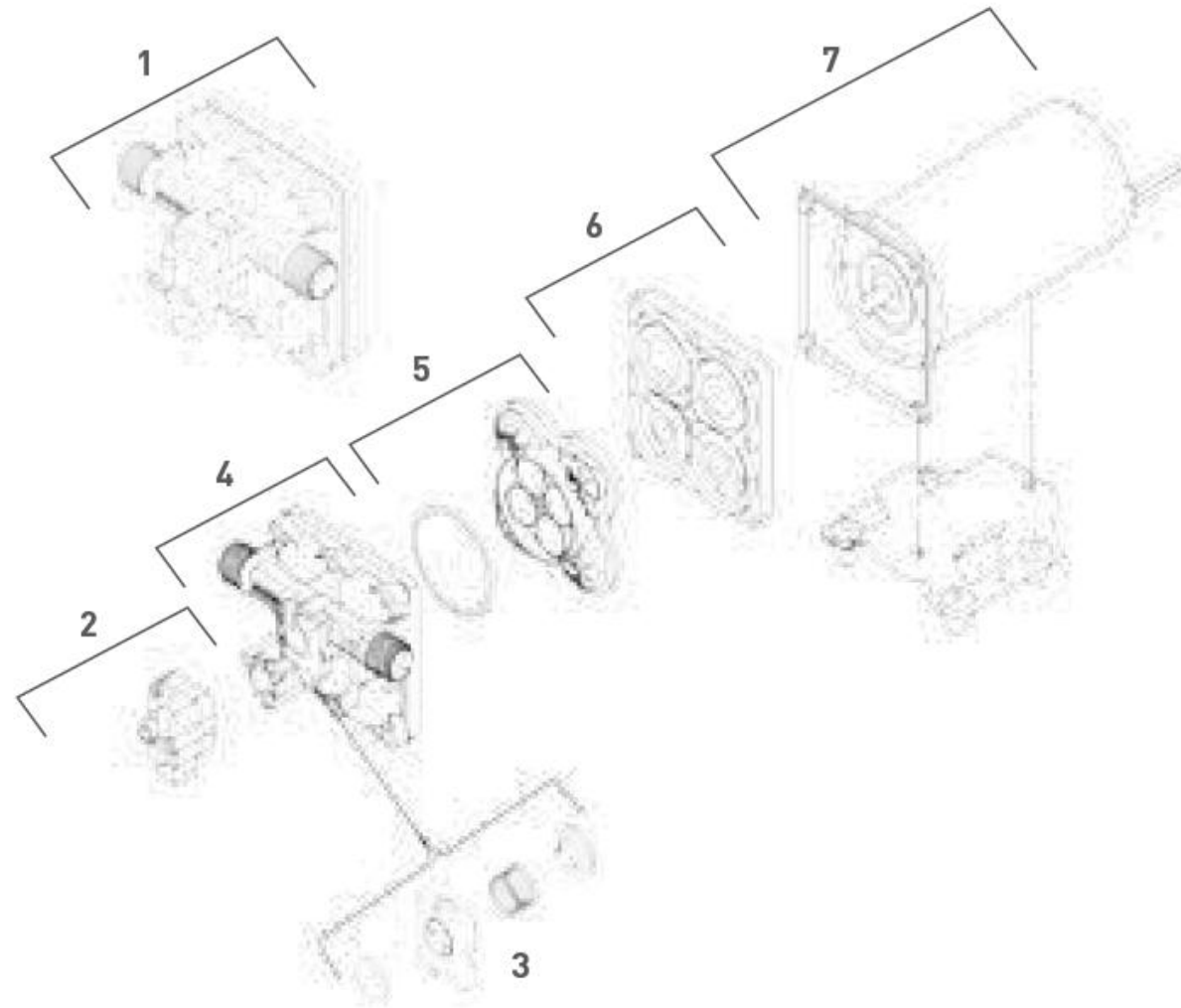
| Part # | Max GPM | Max PSI | Port Size | Max Draw |
|----------------|---------|---------|------------|----------|
| 5059-1311-D011 | 5.3 | 60 | 1/2" NPSM* | 17.0 |
| 5059-1310-D011 | 5.3 | 60 | 1/2" NPTF | 17.0 |

* 1/2" - 14 American National Standard Straight Pipe Thread

** For retail box: change "-D011" to "-D012"

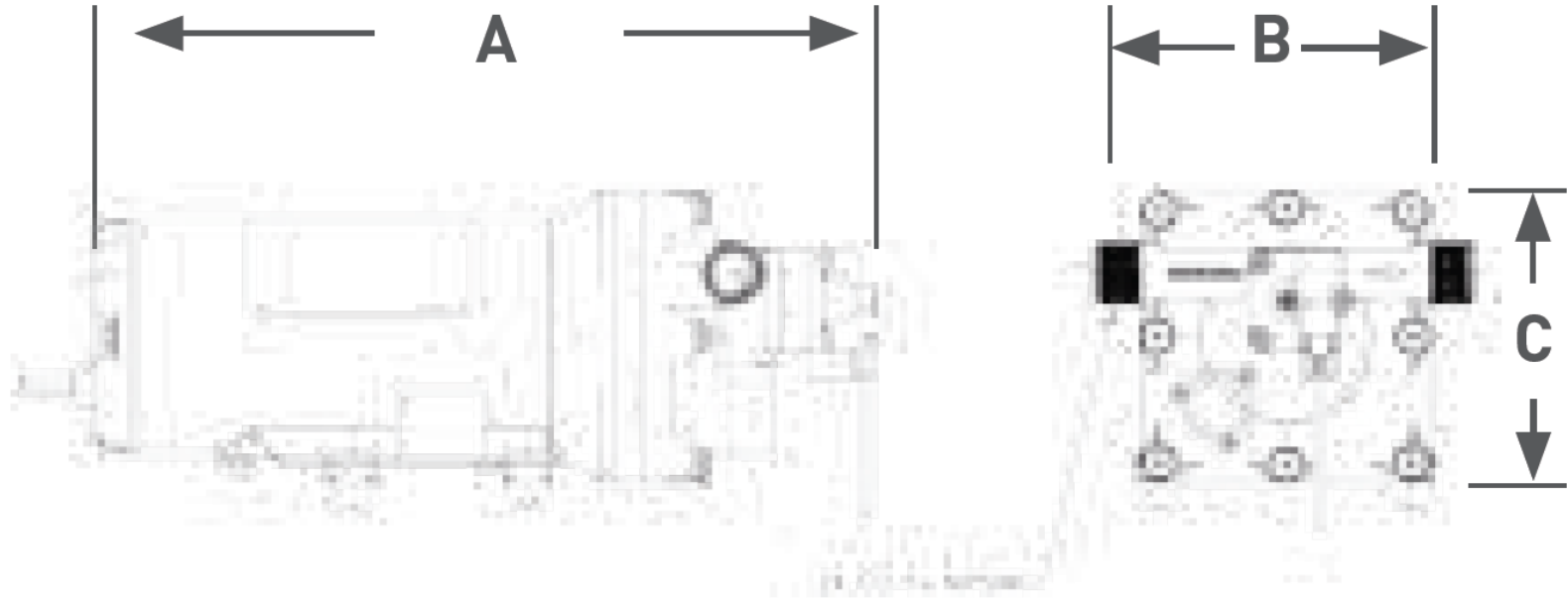
| Model | PSI | BAR | GPM | L/min | Amps |
|-------------|-----|------|-----|-------|------|
| 5059 Series | 0 | 0 | 5.3 | 20.1 | 6.5 |
| | 10 | .69 | 4.7 | 17.8 | 9.0 |
| | 20 | 1.38 | 4.3 | 16.3 | 11.8 |
| | 30 | 2.07 | 4.1 | 15.5 | 12.4 |
| | 40 | 2.75 | 3.8 | 14.4 | 14.0 |
| | 50 | 3.45 | 3.6 | 13.6 | 15.4 |
| | 60 | 4.14 | 3.4 | 12.9 | 17.0 |

SHURflo's new field-proven 5 GPM [20.1 L/min] pump delivers 3.8 GPM at 40 PSI [14.4 L/min at 2.75 bar] with current draw of 13 amps. This pump is designed with a Santoprene diaphragm for chemical resistance and maximum life, as well as Viton valves for maximum chemical resistance. Also included is a built-in pressure switch, set at 60 PSI [4.14 bar], which protects the pump in the event of dead-heading. The pump is available in the same footprint as other SHURflo pumps, allowing users to upgrade to a higher performance on existing installations.



| Model Number | 1 | 2 | 3 | 4 | 5 | 6 | 7 |
|----------------|-----------|-------------|-------------|------------------------|----------------|----------------|--------------|
| | Pumphead | Switch Only | Check Valve | Upper Housing w/switch | Valve Assembly | Drive Assembly | Motor |
| 5059-1311-D011 | 94-804-04 | 94-804-05 | 94-804-03 | 94-804-00 | 94-804-01 | 94-804-02 | 94-71-000-17 |

5059 Series



| Model No. | A | B | C |
|----------------|---------------|---------------|---------------|
| 5059-1311-D011 | 9.99"/25.4 cm | 4.92"/12.5 cm | 4.03"/10.2 cm |
| 5059-1310-D011 | 9.99"/25.4 cm | 4.34"/11 cm | 4.03"/10.2 cm |