

ITEM NO.	PART NUMBER	DESCRIPTION	Default QTY.
1	A010005	INLET FORK	4
2	A1091532	HOSE/TAIL TSM D.32	1
3	A116533	ELBOW 1 1/4" - 32MM HOSE	2
4	A1190532	ELBOW T5F D.32	1
5	A1191532	ELBOW T5 32MM	1
6	A139055	TEE T5F	1
8	A200050	FLY NUT 1 1/4"	2
8	A32621135	FILTER S/F 80MESH FLANGED TYPE	1
9	A463000.050	FLANGE FOR 463SER VALVE 1 1/4"	1
10	A463000.150	FLANGE ADAPTOR FEMALE 1 1/4" BSPM	1
11	AG10051	O RING 1 1/4"	2
12	AG10071V	O RING 2" VITON	2
13	AG11063	O RING EPDM	2
14	BJHB050-90	ELBOW 1/2" NPT X 1/2" BARB	1
15	BP-706-1	RAMSEY VALVE V2	1
16	MP-802-1-1	TOOLBAR WALD BOX PANEL	1
17	TR114HC	HOSE CLAMP 32MM 1 1/4" WORM DRIVE	5
18	QFEL1414	QUICKFIT MALE ELBOW 1/4"	4
19	W146004652	COMPRESSOR 12V ARB CKMA12	1
20	ELECTBOX		1
21	CBLOOD-COMP-1		1
22	FM-403A	AIR REGULATOR ASSEMBLY	1
23	TUBE-6RAMSAY VALVE PANEL ASSY-003AMP-802-1		1
24	TUBE-8RAMSAY VALVE PANEL ASSYAMP-802-1		1
25	TUBE-10RAMSAY VALVE PANEL ASSY-001AMP-802-1		1
26	A249155		2
27	AG440005	FLAT SEAL 1 1/4" EPDM	2
28	W146004503	BASIC CONSOLE SMALL WALD BOX	1

UNLESS OTHERWISE SPECIFIED: FINISH: N/A  
 DIMENSIONS ARE IN MILLIMETERS  
 30° SPACED DIMS: £02  
 10° SPACED DIMS: £05  
 ISOLINEAR: £05  
 ANGULAR: £05

NAME: SIGNATURE: DATE: 21/07/15 REGION: TITLE: DO NOT SCALE DRAWING: ISSUE: A

DRAWN: RP/JACO  
 CH/D  
 APP'VD  
 MFC  
 O/A

MATERIAL: N/A

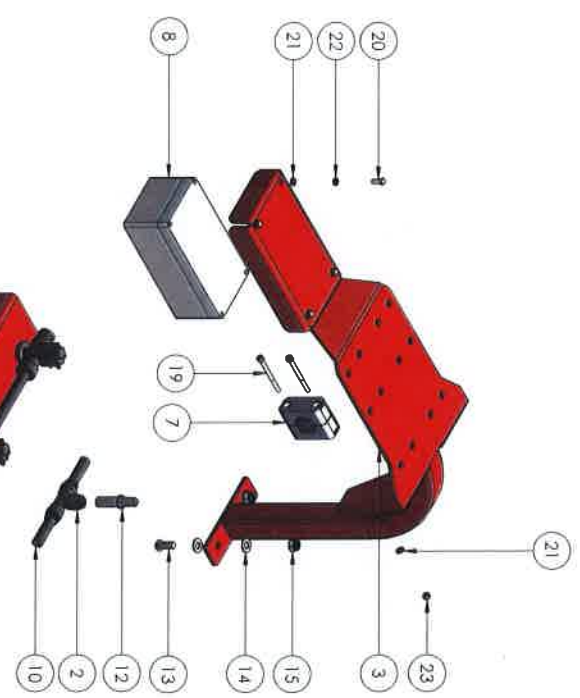
WALD PANEL KIT ASSEMBLY

CROPLANDS  
 A NUFARM LIMITED COMPANY  
 12M TOOLBAR

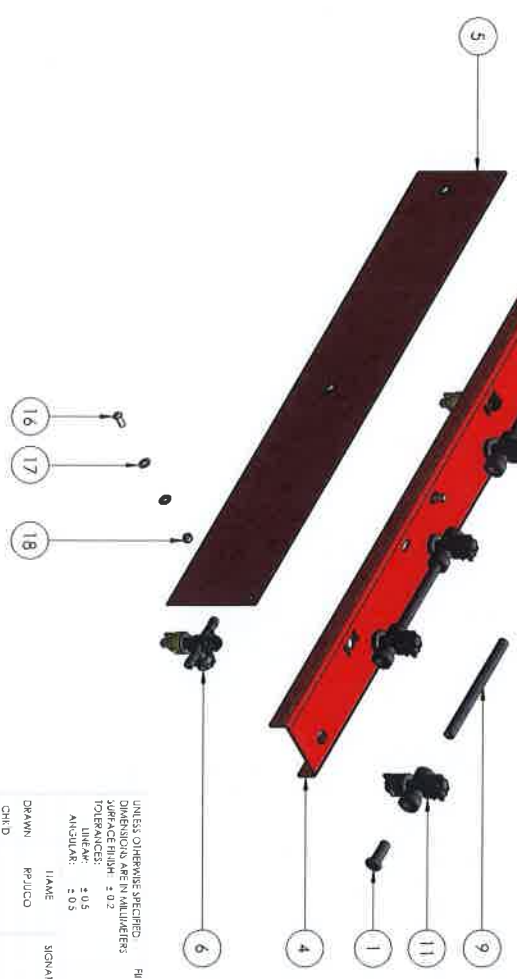
MP-802-1

SHEET 1 OF 1

A3



ITEM NO.	PART NUMBER	DESCRIPTION	DUAL LINE/QTY.
1	MP-360	END CAP 15mm JOHN GUEST	2
2	MP-361	TEE 15mm JOHN GUEST	1
3	MP-801-1	TOOLBAR CAMERA BRACKET	1
4	MP-801-2	TOOLBAR NOZZLE CHANNEL	1
5	MP-801-3	TOOLBAR NOZZLE PROTECTION RAIL	1
6	QJ39685-2-500-N	TEE BODY	2
7	UP-434	STAUFF CLAMP 33.7 OD X 52MM	2
8	W146004407	WEEDIT SENSOR VER2011	1
9	W146004491L	195MM LONG **SPARE COMES IN 1 METRE LENGTH**	3
10	W146004491L	70MM LONG **SPARE COMES IN 1 METRE LENGTH**	2
11	W16004454	SOLENOID SET COMPLETE NOZZLE ASSY	5
12	W16004492	PUSH FIT 15MM TO HOSE CON 12MM	1
13	M10X25BHScrew	M10 X 25 BUTTON HEAD SCREW S/S	2
14	M10FWASHER	M10 FLAT WASHER ZP	4
15	M10NNUT	M10 NYLOC NUT HT ZP	2
16	M8X20BHScrew	M8 X 20 BUTTON HEAD SCREW S/S	3
17	M8FWASHER	M8 FLAT WASHER ZP	6
18	M8NNUT	M8 NYLOC NUT HT ZP	3
19	M6X65SHSCREW	M6 X 65 SOCKET HEAD CAP SCREW S/S	4
20	M6X16	M6 X 16 SET SCREW HT S/S	4
21	M6FWASHER	M6 FLAT WASHER ZP	8
22	M6SWASHER	M6 SPRING WASHER S/S	4
23	M6NNUT	M6 NYLOC NUT HT ZP	4



UNLESS OTHERWISE SPECIFIED - FINISH DIMENSIONS ARE IN MILLIMETERS  
 TOLERANCES: ± 0.2  
 LINEAR: ± 0.5  
 ANGULAR: ± 0.5

DATE: 10/11/2015  
 DRAWN: REP/JCO  
 CH/D: APP/D  
 MFC: C/A

SIGNATURE: \_\_\_\_\_  
 DESIGNER: \_\_\_\_\_  
 CHECKED: \_\_\_\_\_  
 APPROVED: \_\_\_\_\_

MATERIAL: N/A

WEIGHT: \_\_\_\_\_

DO NOT SCALE DRAWING

ISSUE: \_\_\_\_\_

**CROPLANDS**  
 A NUFARM LIMITED COMPANY

12M TOOLBAR

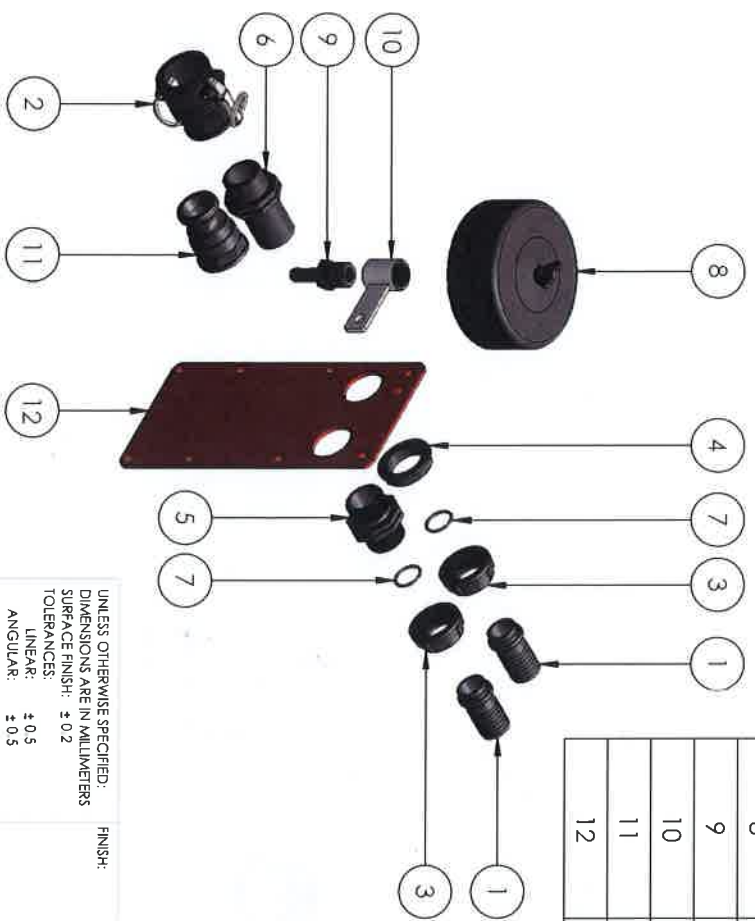
TITLE: TOOLBAR CAMERA KIT DUAL LINE

SCALE: 1/1.5

SHEET 1 OF 1

A3

ITEM NO.	PART NUMBER	DESCRIPTION	QTY.
1	A106533	TAIL 1 1/4" TO 32MM	2
2	A18105D		1
3	A200050	FLY NUT 1 1/4"	2
4	A205050	BACK NUT 1 1/4"	1
5	A250050	NIPPLE 1 1/4"	1
6	A250051	NIPPLE 1 1/4"	1
7	AG10051	O RING 1 1/4"	2
8	BP-623	AIR FILTER SOLBERG	1
9	BJHB075-050	HOSEBARB 3/4" NPT X 1/2" BARB	1
10	FM-FDSOCKET	SOCKET FOAM MARKER DROPPER	1
11	K-125-A	CAMLOCK 1 1/2" FEMALE THREAD "A"	1
12	MP-802-2-1	TOOLBAR CAMLOCK PLATE	1



UNLESS OTHERWISE SPECIFIED:  
 DIMENSIONS ARE IN MILLIMETERS  
 SURFACE FINISH: ±0.2  
 TOLERANCES:  
 LINEAR: ±0.5  
 ANGULAR: ±0.5

FINISH: N/A

DEBUR AND  
 BREAK SHARP  
 EDGES

DO NOT SCALE DRAWING

ISSUE

NAME	SIGNATURE	DATE	REVISION
DRAWN RPJUCCO		210515	
CHK'D			
APPR'D			
MFG			
QA			

MATERIAL: N/A

DWG NO: MP-802-2

TITLE: CAMLOCK PLATE ASSEMBLY KIT

A4

COPYRIGHT PROPRIETOR  
 THIS DRAWING IS THE PROPERTY OF CROPLANDS PTY. LTD.  
 REPRODUCTION OF THIS DRAWING FOR PARTHEROFT OR  
 ANY OTHER PURPOSES IS FORBIDDEN WITHOUT  
 THE CONSENT OR AUTHORITY OF CROPLANDS PTY. LTD.

WEIGHT:

SCALE: 1:1.5

SHEET 1 OF 1