

WEED-IT QUADRO, Introduction Guide

09/04/2020

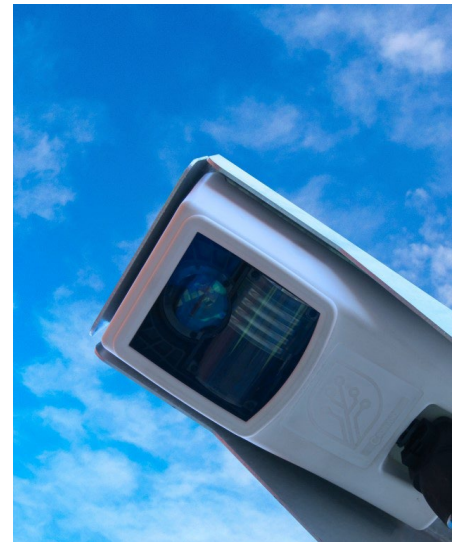
The Croplands WEED-IT Quadro 4000, 6000, 7000 litre and Toolbar Sprayers are the latest in the Croplands Optical Spot Spraying range, featuring a total update of the WEED-IT technology and updated sprayers to suit.

The most obvious change is to the sensors which now emits a blue light beam with a 4 channel lens (as opposed to the original red beam / 5 channel), plus the use of conventional nozzle bodies and boom tubes.

This Introduction Guide highlights the operational variations from older "Red Sensor" Croplands WEEDit Sprayers, and will be supplied in conjunction with the manual for the "Red" Sensor Sprayers, BT-OMWEED-A (for series 3, 4000 & 6000) or BT-OMWEEDD-A (for 7000) as pictured below right.

Also supplied with this guide will be (but not limited to) the WEED-IT Quadro User Manual (BT-UMWEEDQ-B), WEED-IT Quadro Parts List (BT-PMWEEDQ-B), updated WEED-IT Transport Unloading & Setup Guide (BT-OMWEED-TRANS) and updated WEEDIT Transport Kit (MP-375) (not pictured).

Please read all manuals, especially the Transport & Unloading manual, thoroughly before commencing the unloading or operating of the sprayer.



Safety.

Please read and understand all supplied manuals, guides and safety decals before operating this sprayer.

This includes the **Croplands Safety Manual** – as pictured here.



Quadro Hardware

Almost every component of the Quadro system is different to the original WEEDit system, including

....

- **New Optical Sensor** using a **Blue beam** with a 4 channel lens and 5 sensitivity settings – and can be identified with with Part no. 43002619, as shown here, (replacing an earlier version of the “blue” sensor).



- **New Power Supply Unit “PSU”** (no longer called a Wald Box). Note the connectors are different to earlier versions.

- **New User Console.**



- **New Optical Sensor Harnesses** for coupling Sensor to spray Solenoids, which come in 1, 2 or 3 sensors per harness, left and right hand versions and with 2 different lengths of Sensor connection to Tee of 800mm and 1300mm.



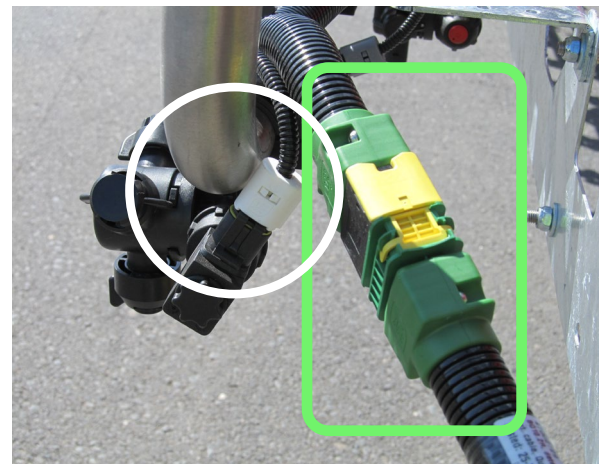
In all 12 different harnesses.

Shown is a single sensor harness for the LH side and with 800mm length from the Tee to the sensor.

Note the solenoid connections are numbered 1 to 4 and colour coded **orange, purple, grey and white**. The order of these is important, working from left to right across the boom **this order must be maintained** – with orange / no.1 being the first nozzle and white / no.4 the last.



Equally important to note is the variation between harnesses used on the Left or Right hand sides of the boom. The **Left hand harnesses use black** connectors, as per the harness photo above (highlighted in blue), and the **Right hand harnesses use green** connectors as seen in the photo opposite.



- **New 6 Volt solenoid**, four per Sensor, which attaches to a conventional boom tube & triplex nozzle bodies.

The solenoid connections are colour coded. Note the examples to the right is using the white connection (**highlighted in white**), hence the 4th / right hand channel of the sensor.



- **New connectors and extension leads** to most components.

For full details on the parts, please see the Croplands WEED-IT Quadro parts manual, which will have been supplied with this manual. The parts manual, BT-PMWEEDQ-A can also be found on the Croplands web site.

Croplands Sprayer Changes

Along with the Quadro changes come a series of Sprayer improvements in order to fully utilize the WEED-IT Quadro technology.

- The most obvious change (compared to “Red” sensor models) is the **1” stainless steel tube** for both WEED-IT and Blanket line spraying. These tubes, along with flowing 90 or 180 degree bends have been optimised for good flow and minimum pressure drop. This is especially important for the WEED-IT line where spraying can go from zero to full in an instant.

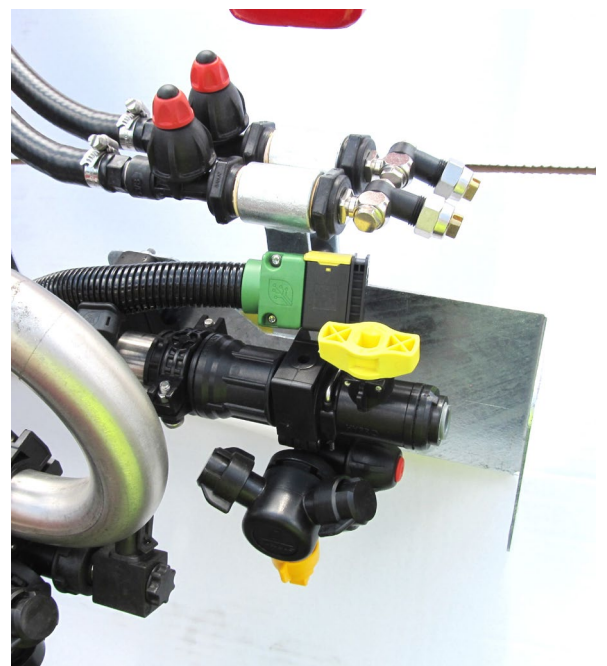


- **New brackets** for the tubes and saw tooth nozzle protection rails (see above).

- **Recirculation** on the WEED-IT line. This keeps chemical flowing / prevents settling and assists with maintaining a constant boom pressure under all circumstances. The return (recirc) line from the end of the WEED-IT spray boom goes back to a new ball valve on the panel. The valve is used to select the correct return tank (for dual tank sprayers), and can be varied from full flow (default position) to off. As depicted by the label, the valve is (semi) proportional from open to closed / off.



- **Aspirators** are fitted to the end of each blanket line sections to reduce air entrapment. The final nozzle body of each section is 4 way, with the 4th outlet left open to be used as a drain tap. Also fitted is a **yellow** handled drain tap at the end of each aspirator.

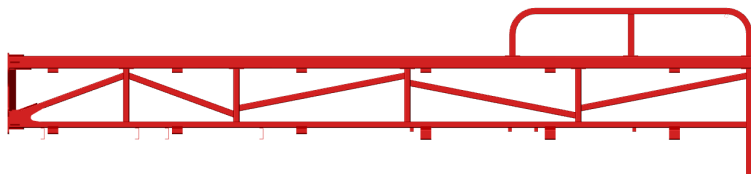


- **Fence line** nozzles are operated via motor valves at the rear of the sprayer, with “non drip” diaphragm check valve with integral stopcock fitted at the boom end. Activated by the spray controller for the blanket line and via the hydraulic switch box for the WEED-IT line.



- **New speed rings** (BP-700C-9-1C) with extra sectors (now 22 pcs) for extra precision. Trailed sprayers only.

Revised camera brackets. All but 2 camera brackets have been shortened by 70mm in order to gain more clearance between the stay arm (parked) and the Sensor harnesses. Also reduces overall size & weights. This running change is in early 2020.



- The **boom tip** protection structure has several changes to better fit the shorter camera brackets and nozzle rails etc. This running change is due May 2020.

- **Isolation tap** for the WEED-IT spray line.
The 7000 is shown to the right, in white.
The 4/6000 is under the cover, below, highlighted in yellow.



- **Revised filter** locations as required by the new plumbing, as shown here and below.



WEED-IT Quadro Software / Operation *Note most other functions remain as per standard manual.*

- Start tractor engine and allow the revs to settle to idling speed.
- Turn “ON” the WEEDIT Console in the top left corner.
- Select the appropriate tank (Main or Spot, depending on sprayer) to test sensors and nozzles.
- Set the WEED-IT Recirculation valve to return to the source tank (as above).
- Activate tractor hydraulics to start the spray pump, adjusting oil flow until 3 Bar spray pressure is achieved.
- Press **green square (menu) button** in the centre of the console for a few seconds until the 100 Menus display in the top right corner of the display.
- Repeat pressing the menu button to show Menu 102.
- Press the Leaf button to active Test mode, this will flash repeatedly when activated.
- With a fresh green weed on the end of a stick, wave the weed forwards and back in the driving direction confirming the sensor is activating and each nozzle is spraying. Use PPE (personal protective equipment) when performing this test.
- When testing is completed press the escape arrow button in the bottom left corner of the display.

Selection & Use of Sensitivity Settings

- Press Menu button and 1 of 5 Sensitivity settings will pop up briefly on the screen. *(highlighted next page in blue)*
- Sensitivity and random firing will increase in freshly harvested crops (ie: barley & wheat) and with more sun intensity mid afternoons.
- Starting in new paddocks; Select the most Sensitive setting No.1. Reduce Sensitivity settings over a short distance to 2, 3 or 4 etc. until a setting appropriate to the target size is achieved. Some random firings are advantageous and necessary particularly when targeting very small weeds.
- Advantages of starting new paddocks on Sensitivity 1. Flushes the dust from infrequently used nozzles and activates a boom line surge / flush which is helpful if boom recirculation is not fitted.

1	Ultra Sensitivity	Small weeds or Double knock , targeting all weeds for a second chemical application, possibly a different chemical group. A powerful tool in herbicide resistance management.
2	Very Sensitive	Small weeds or Stressed weeds , possibly after extended periods of no rain. Moisture stressed plants.
3	Sensitive	Medium weeds.
4	Very Insensitive	Larger weeds , will miss some smaller weeds. Sensitivity 4 is selected in the image below.
5	Ultra Insensitive	Very large weeds or combining Dual line , applications with pre-emergent blanket spray – used with dual tank and dual chemistry.

The new Quadro sensor has been calibrated for Australian conditions and is now less effected by low sun angles such as sunrise and sunset - thus eliminating the need for extra / night sensitivity settings.

Selecting & Use of Margin Settings

New Quadro delivers more power and speed, the benefit provides the option of larger spraying Margins allowing for steep contour banks and drains where Sensor height may vary significantly across the boom.

- Press Menu button and 1 of 4 Margin settings will pop up briefly on the screen (highlighted below in red).

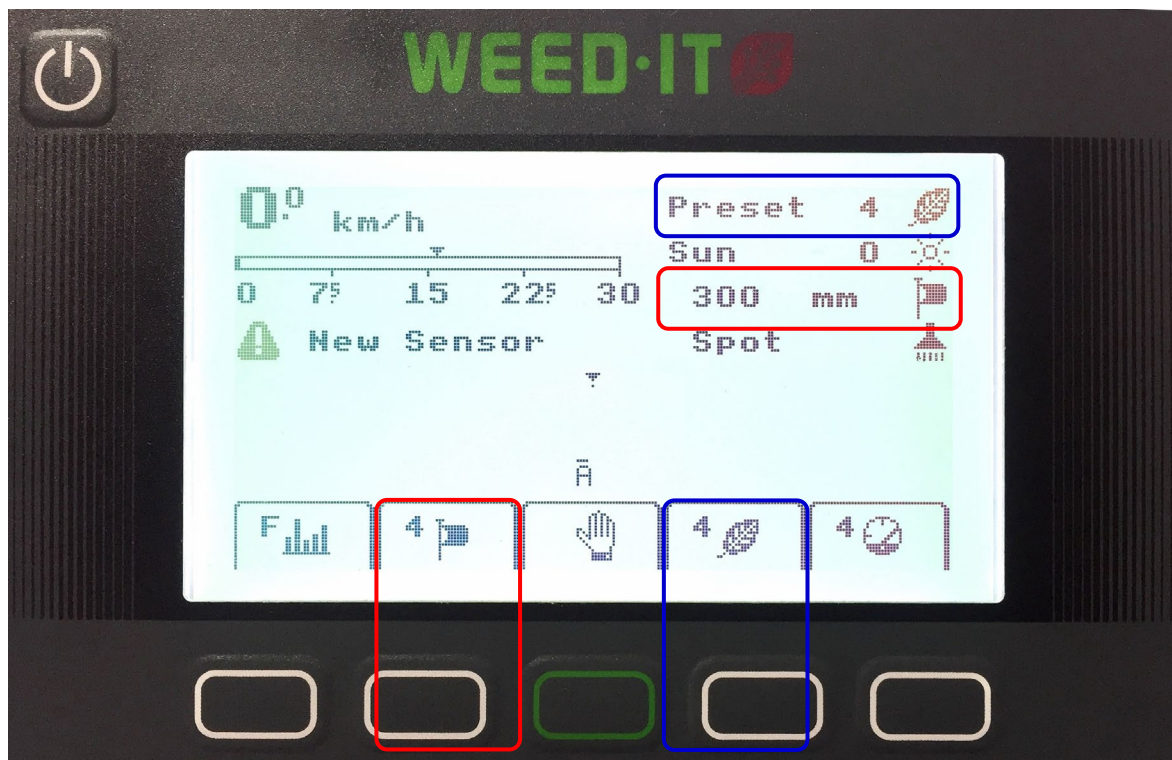
Standard Margin 1 = 200 mm margin

Margin 2 = 235mm,

Margin 3 = 270mm,

Margin 4 = 300mm improving coverage in rough terrain.

Margin 4 is selected in the image below.



Humidity Sensor

Inbuilt to each sensor is a “Warning” if the glass is broken or a damaged housing allows moisture into the Sensor. This can be repaired before further damage from water occurs.

Warning Light

Menu 204 Page 3 is a new Red LED “Warning flasher” ideal for noisy tractor cabs and gains the attention of fatigued operators when selected.

Boom recirculation valve may be adjust towards OFF to achieve more spraying pressure. Only turn valve OFF when conducting maintenance on the nozzles solenoids or filters.

For all other information on the Quadro system, please consult the Quadro User Manual.

Notes:

The WEED-IT Sprayer will be delivered with the following manuals ...

- This Introduction Guide, part no. BT-WEEDQ-INTR-A
- WEEDit (sprayer) Operators manual, part no. BT-OMWEED-A (4000 / 6000 models) or BT-OMWEEDD-A (7000 models).
- WEED-IT Quadro User manual, part no. BT-UMWEEDQ-A
- WEED-IT Quadro Parts manual, part no. BT-PMWEEDQ-A
- WEED-IT Transport Unloading & Setup guide, (v3B), part no. BT-OMWEED-TRANS
- WEED-IT Transport Kit info, (v3), part no. MP-375
- WEEDit Boom Parking Quick Start guide, (v2), part no. BT-OMWEED-QSG-B
- Safety Manual, part no. GP-SAFE-A
- And relevant manuals for pumps and controllers etc.
- Sprayer Specification, Warranty & Pre-Delivery booklet.

Note the above manuals will be updated from time to time. When this happens the suffix will change from A to Z.

For details not covered by this quick start guide or the operators manual(s), please contact Technical Support.

NOTE

Contact Croplands Technical Support for further information:

1300 650 724

ALL PARTS INFORMATION is now listed on the Croplands website:

- Go to www.croplands.com.au
- Search in the Parts Information section linked to the home page.

Drawings & Schematics

Attached to this guide are drawings and schematics to enable customers to identify the new Quadro boom parts, new tubes and configurations of the WEED-IT sensor harnesses etc.

The drawings will be updated as they become available.

NOTE

Drawings are for illustration purposes only - refer to sprayer for actual plumbing. Parts lists are indicative of the sprayer type.

Items in italics or without a part number are non stocked items and may need to be specially ordered.

For further parts information refer to www.croplands.com.au

Index of Drawings

The attached drawings are specific to changed created by the implementation of Quadro only. Many of the below drawings are preliminary / yet to be finalised hence few of the attached files have been published on the Croplands Web site / Parts <https://www.croplands.com.au/Service-Centre/Parts-Information#.XIXOf-SP6VM>

Part / Drawing No.	Description	Comments
n/a	WEED-IT Quadro Cable Connection Diagram	OK
BT4000TR36QUADRO	36m boom with (KB-7102) Quadro kits	Shown on 4000L dual line, draft 27/2/20
BT4000TRQUADRO	24m boom with (KB-7102) Quadro kits	Shown on 4000L dual line, draft 27/2/20
BT7000TRQUADRO	36m boom with (KB-7102) Quadro kits	for 7000Lt dual line, draft 28/2/20
spare		
KB-7000-2B	WEED-IT Quadro Rear PAV panel, 4/6000	CAD image 28/2/20
KB-7000-2B-1	WEED-IT Quadro Blanket Manifold, 4/6000	draft 28/2/20
KB-7000-2B-2	WEED-IT Quadro Recirc Assembly	n/a
KB-7000-2B-3	WEED-IT Quadro Dual Line Filter Assembly	CAD image 28/2/20
KB-7000-2B-3A	WEED-IT Quadro Single Line Filter Assembly	n/a
spare		
KB-7102-1L	WEED-IT Quadro Inner Arm 1, LH, Dual, w/ Aspirator	draft 28/2/20 RH version is -1R
KB-7102-2L	WEED-IT Quadro Inner Arm 2, LH, Dual	draft 28/2/20 RH version is -2R
KB-7102-3L	WEED-IT Quadro Inner Arm 3, LH, Dual	draft 28/2/20 RH version is -3R
KB-7102-3LA	24m WEED-IT Quadro Inner Arm 3, LH, Dual	draft 28/2/20 RH version is -3RA
KB-7102-4L	WEED-IT Quadro Outer Arm 1, LH, Dual	draft 28/2/20 RH version is -4R
KB-7102-4LA	24m WEED-IT Quadro Outer Arm 1, LH, Dual	draft 28/2/20 RH version is -4RA
KB-7102-5L	WEED-IT Quadro Outer Arm 2, LH, Dual	draft 28/2/20 RH version is -5R
KB-7102-6L	WEED-IT Quadro Outer Arm 3, LH, Dual	draft 28/2/20 RH version is -6R
KB-7102-7	WEED-IT Quadro 4/6000 Centre, Dual	draft 28/2/20
KB-7102-8	WEED-IT Quadro 7000 Centre, Dual	draft 28/2/20
spare		
KB-7500-1A	WEED-IT Quadro Main Panel, 7000	n/a
KB-7500-2A	WEED-IT Quadro Rear PAV panel, 7000	n/a
KB-7500-2A-1	WEED-IT 7000 Quadro Dual Line Filter Assembly	CAD image 28/02/20

18. More to come.

Croplands

AUSTRALIA

Croplands Equipment Pty Ltd ACN 006 450 184

PO Box 2441
Dry Creek
50 Cavan Road
Dry Creek SA 5094
Australia

Freecall: 1800 999 162
Freefax: 1800 623 778
email: sales@croplands.com.au
website: www.croplands.com.au

NEW ZEALAND

Croplands Equipment Ltd
PO Box 2004,
Stortford Lodge, Hastings 4120

Location:
1422 Omahu Road,
Hastings 4120 New Zealand

Freecall: 0800 106 898
Freefax: 0800 117 711
email: sales@croplands.co.nz
website: www.croplands.co.nz

Your nearest Croplands Dealer can be found in the dealer section on the Croplands website.

QUADRO CABLE CONNECTION DIAGRAM

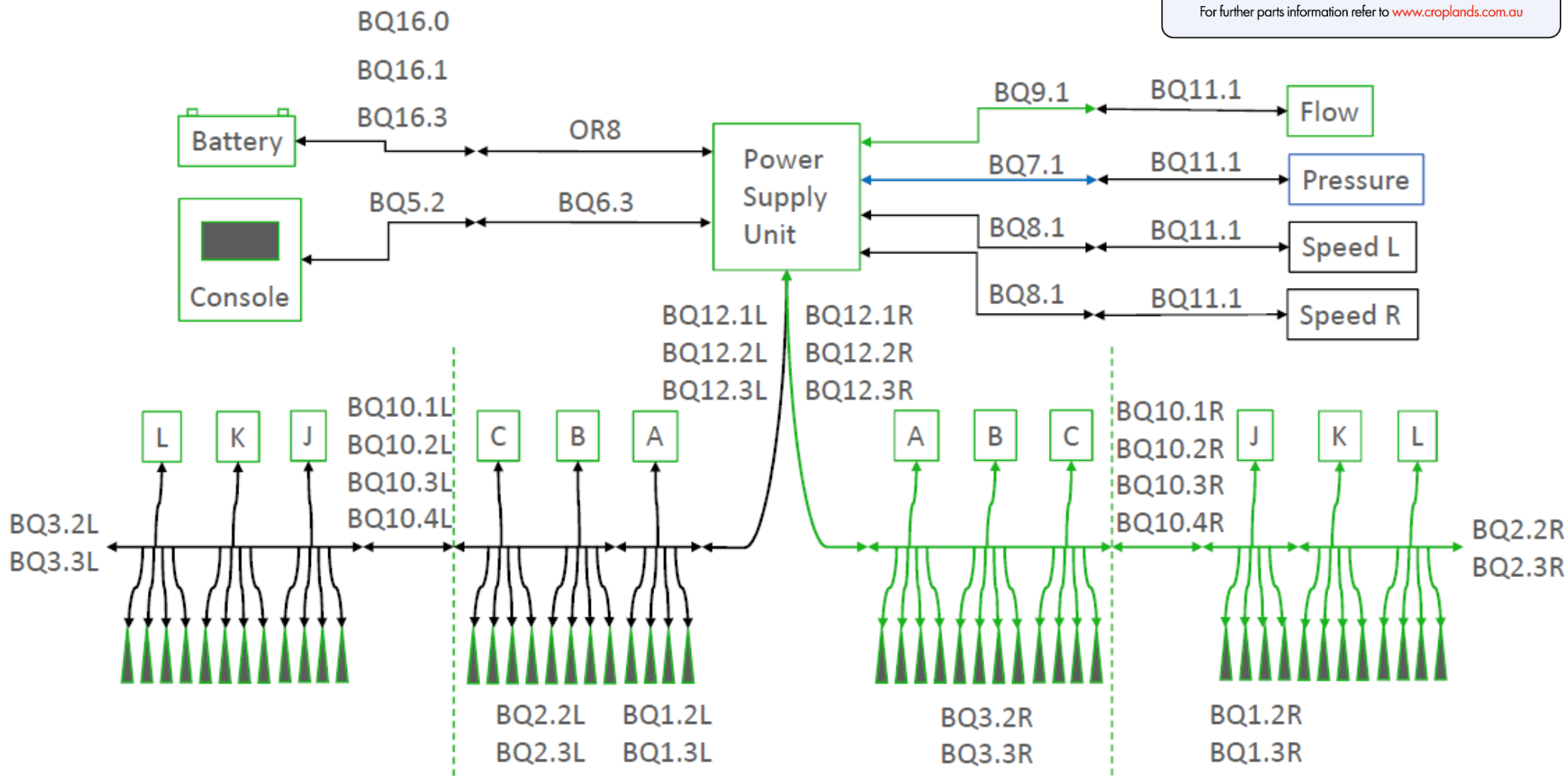
For more information on these connections, see the BT-PMWEEDQ-A Parts Manual

NOTE

Drawings are for illustration purposes only - refer to sprayer for actual plumbing. Parts lists are indicative of the sprayer type.

Items in italics or without a part number are non stocked items and may need to be specially ordered.

For further parts information refer to www.croplands.com.au



BT4000TR36QUADRO

36M BOOM WITH (KB-7102) QUADRO KITS

Dual line boom - shown on base 4000L chassis

ITEM NO.	PART NUMBER	DESCRIPTION	QTY.
1	KB-7102-1L	WEEDIT QUADRO INNER ARM 1 LH DUAL	1
2	KB-7102-2L	WEEDIT QUADRO INNER ARM 2 LH DUAL	1
3	KB-7102-3L	WEEDIT QUADRO INNER ARM 3 LH DUAL	1
4	KB-7102-4L	WEEDIT QUADRO OUTER ARM 1 LH DUAL	1
5	KB-7102-5L	WEEDIT QUADRO OUTER ARM 2 LH DUAL	1
6	KB-7102-6L	NOZZLE MOUNT OUTER 3 ASSEMBLY LH	1
7	KB-7102-7	NOZZLE MOUNT CENTRE ASSEMBLY	1
8	A00420A	TUBE RECIRCULATION 6000 LONG	2
9	AB243000-700A-1	MOUNTING BRACKET 1	1
10	AB243000-700A-2	BUMPER TO SUIT ALL BOOMS 18M-36M	2
11	KB-7000-2B-3	WEEDIT QUADRO DL FILTER ASSEMBLY	1
12	KB-7000-4	STEERING CASTOR ASSY VER 2	1
13	Filter bracket inner LH	FILTER BRACKET DUAL LH ASSEMBLY	1
14	UP-434	STAUFF CLAMP 33.7 OD X 52MM	2
15	WEEDIT4000		1
16	AB243000-500A	SECOND ARM 36M VER 2	1
17	AB243000-200	FIRST ARM WING KIT SHADOW BOOM	1
18	AB243000-400L	OUTRIGGER DOCKING KIT LH	1
19	AB243204-110	50MM PIN	1
20	AB243000-120A	OUTER CASTOR KIT VER 2	1
21	HP-015	HYDRAULIC CYLINDER 2.0 X 8	1
22	M16X220	M16 X 220 HEX HEAD BOLT HT ZP	4
23	M16FWASHER	M16 FLAT WASHER ZP	8
24	M16SWASHER	M16 SPRING WASHER	4
25	M16HNUT	M16 HEX NUT HT ZP	4
26	AB243000-600D	OUTER WING KIT 36M VER 5	1

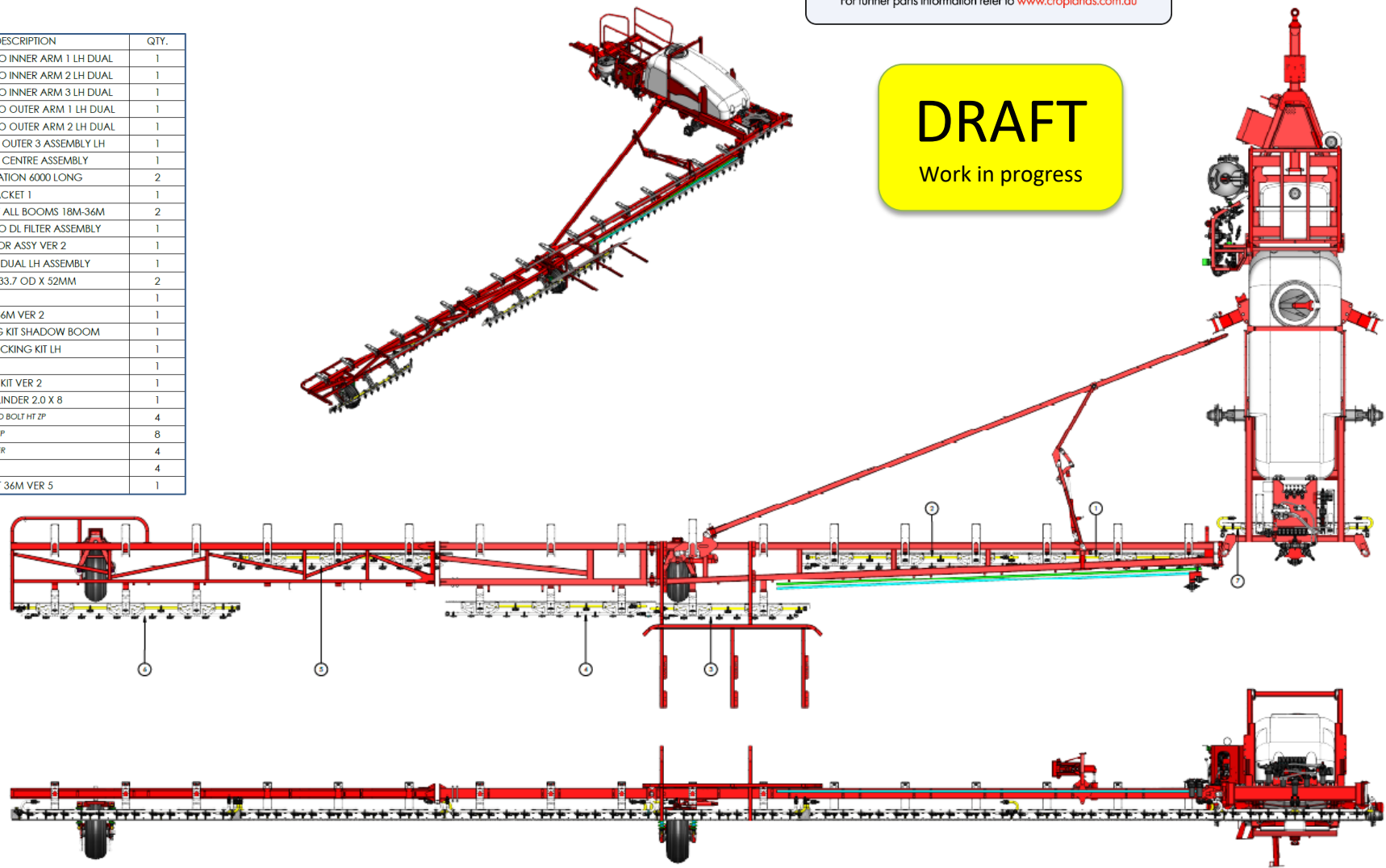
NOTE

Drawings are for illustration purposes only - refer to sprayer for actual plumbing. Parts lists are indicative of the sprayer type.

Items in italics or without a part number are non stocked items and may need to be specially ordered.

For further parts information refer to www.croplands.com.au

DRAFT
Work in progress

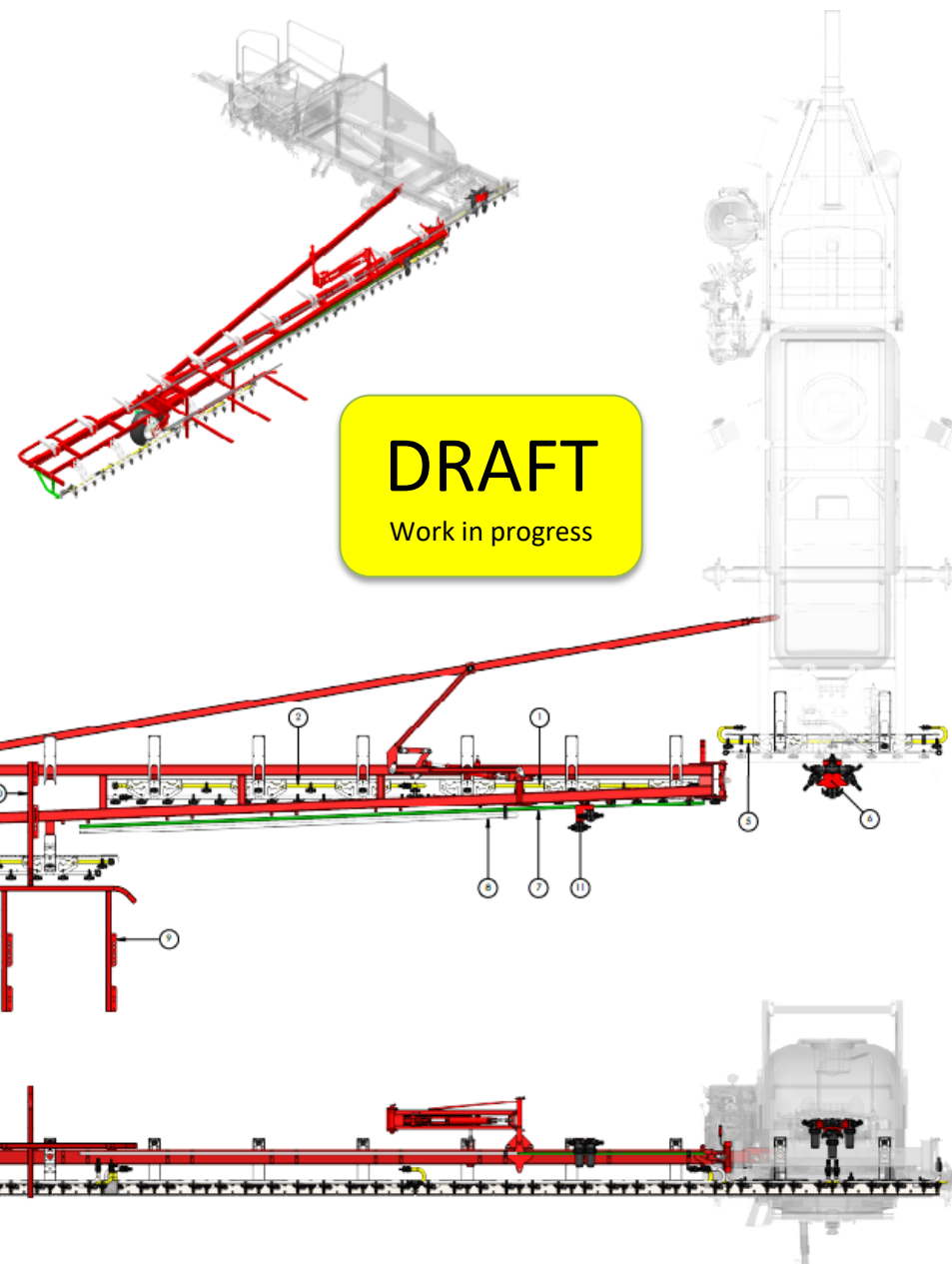


BT4000TRQUADRO

24M BOOM WITH (KB-7102) QUADRO KITS

Dual line boom - shown on base 4000L chassis

ITEM NO.	PART NUMBER	DESCRIPTION	QTY.
1	KB-7102-1L	WEEDIT QUADRO INNER ARM 1 LH DUAL	1
2	KB-7102-2L	WEEDIT QUADRO INNER ARM 2 LH DUAL	1
3	KB-7102-3LA	4000 WEEDIT QUADRO INNER ARM 3 LH DUAL	1
4	KB-7102-4LA	24M WEEDIT QUADRO OUTER ARM 1 LH DUAL	1
5	KB-7102-7	NOZZLE MOUNT CENTRE ASSEMBLY	1
6	KB-7000-2B-3	WEEDIT QUADRO DL FILTER ASSEMBLY	1
7	A00420A	TUBE RECIRCULATION 6000 LONG	1
8	A00420A-4200	TUBE RECIRCULATION 6000 LONG	1
9	AB243000-700A-1	MOUNTING BRACKET 1	1
10	AB243000-700A-2	BUMPER TO SUIT ALL BOOMS 18M-36M	2
11	Filter bracket inner LH	FILTER BRACKET DUAL LH ASSEMBLY	1



NOTE

Drawings are for illustration purposes only - refer to sprayer for actual plumbing. Parts lists are indicative of the sprayer type.

Items in italics or without a part number are non stocked items and may need to be specially ordered.

For further parts information refer to www.croplands.com.au

BT7000TRQUADRO

36M BOOM WITH (KB-7102) QUADRO KITS

Dual line boom - shown on bare 7000L chassis

NOTE

Drawings are for illustration purposes only - refer to sprayer for actual plumbing. Parts lists are indicative of the sprayer type.

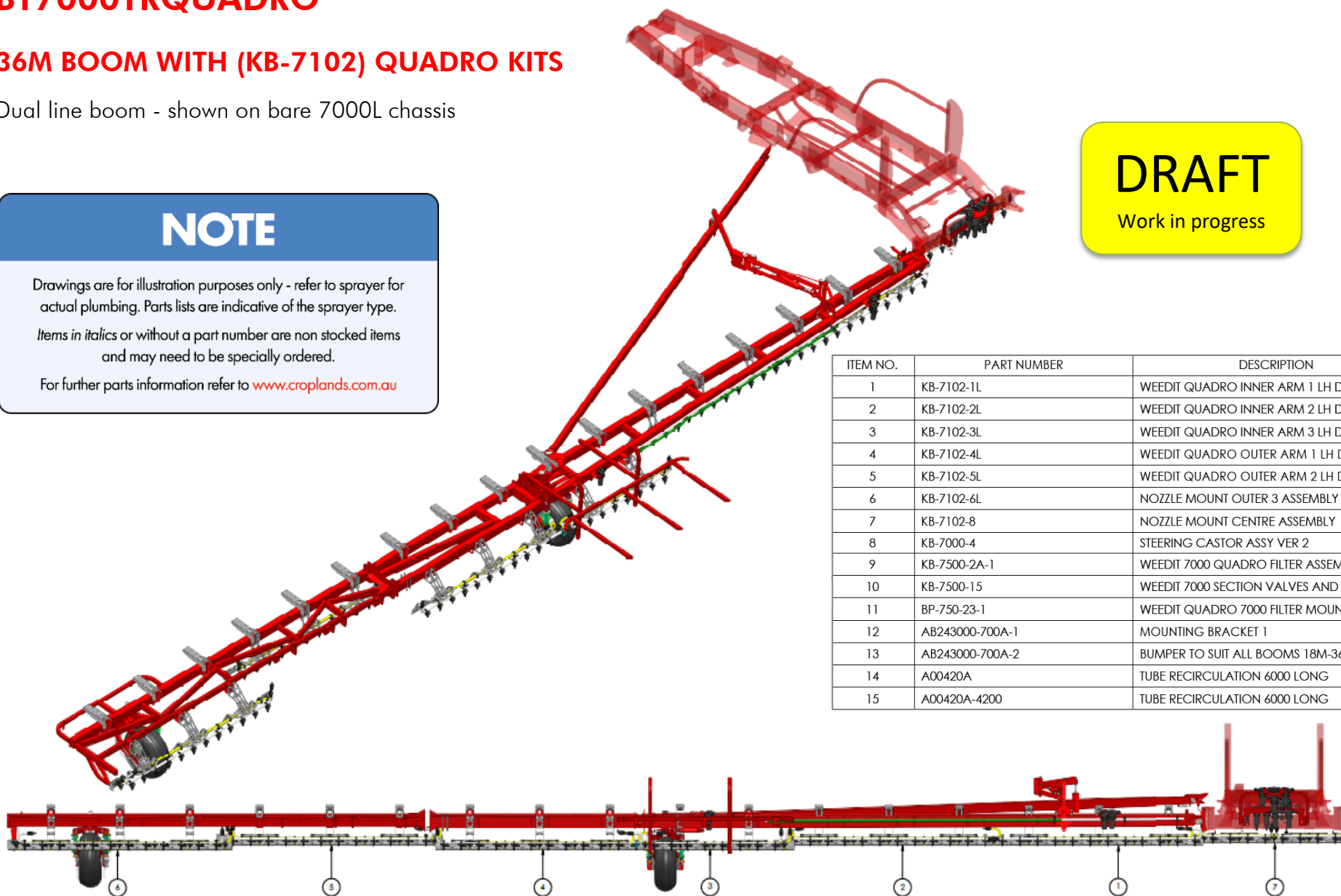
Items in italics or without a part number are non stocked items and may need to be specially ordered.

For further parts information refer to www.croplands.com.au

DRAFT

Work in progress

ITEM NO.	PART NUMBER	DESCRIPTION	QTY.
1	KB-7102-1L	WEEDIT QUADRO INNER ARM 1 LH DUAL	1
2	KB-7102-2L	WEEDIT QUADRO INNER ARM 2 LH DUAL	1
3	KB-7102-3L	WEEDIT QUADRO INNER ARM 3 LH DUAL	1
4	KB-7102-4L	WEEDIT QUADRO OUTER ARM 1 LH DUAL	1
5	KB-7102-5L	WEEDIT QUADRO OUTER ARM 2 LH DUAL	1
6	KB-7102-6L	NOZZLE MOUNT OUTER 3 ASSEMBLY LH	1
7	KB-7102-8	NOZZLE MOUNT CENTRE ASSEMBLY	1
8	KB-7000-4	STEERING CASTOR ASSY VER 2	1
9	KB-7500-2A-1	WEEDIT 7000 QUADRO FILTER ASSEMBLY DUAL	1
10	KB-7500-15	WEEDIT 7000 SECTION VALVES AND FILTERS	1
11	BP-750-23-1	WEEDIT QUADRO 7000 FILTER MOUNT	1
12	AB243000-700A-1	MOUNTING BRACKET 1	1
13	AB243000-700A-2	BUMPER TO SUIT ALL BOOMS 18M-36M	2
14	A00420A	TUBE RECIRCULATION 6000 LONG	1
15	A00420A-4200	TUBE RECIRCULATION 6000 LONG	1



KB-7000-2B

WEED-IT QUADRO REAR PAV PANEL

For the 4/6000 Lt sprayers

DRAFT

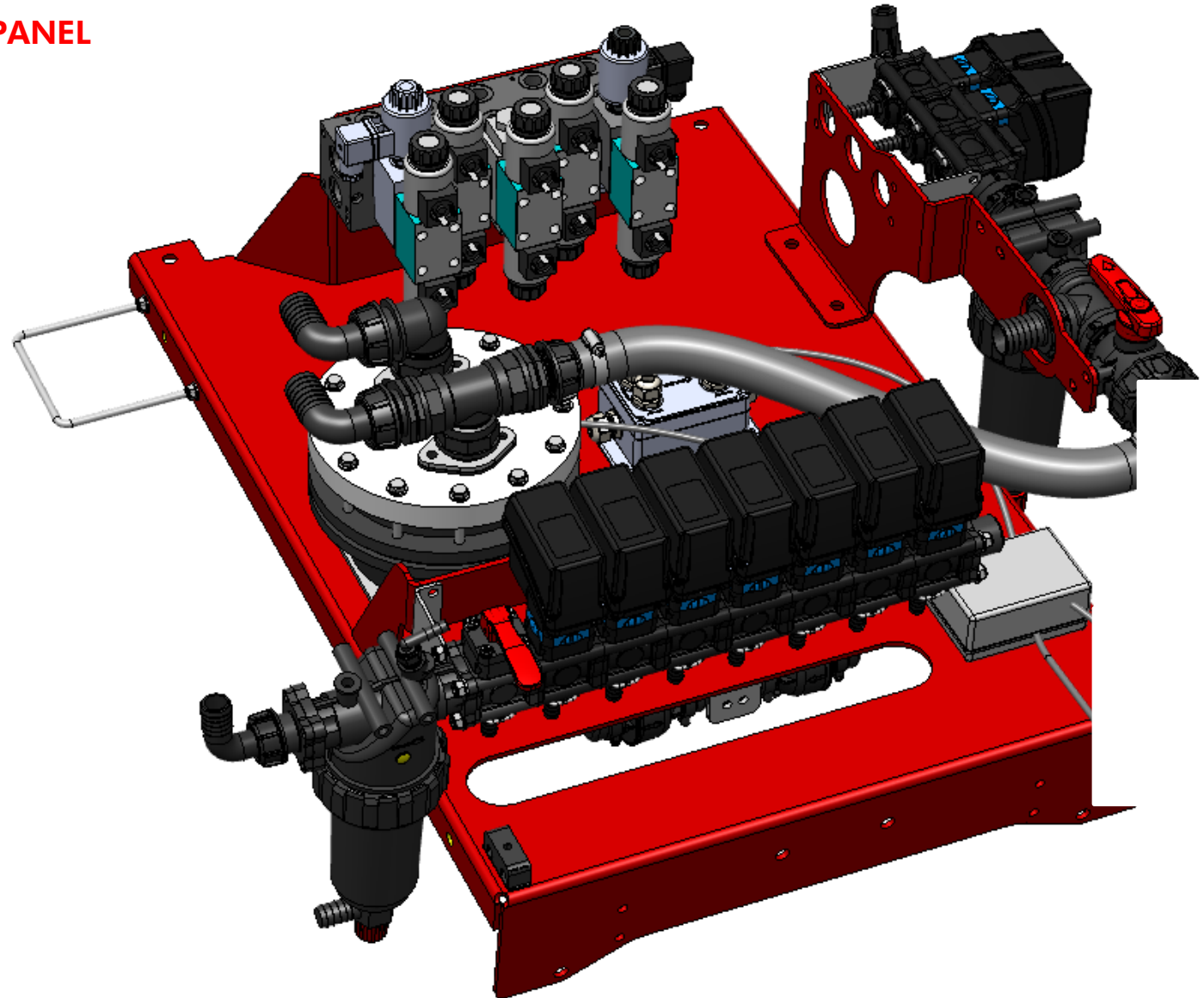
Work in progress

NOTE

Drawings are for illustration purposes only - refer to sprayer for actual plumbing. Parts lists are indicative of the sprayer type.

Items in *italics* or without a part number are non stocked items and may need to be specially ordered.

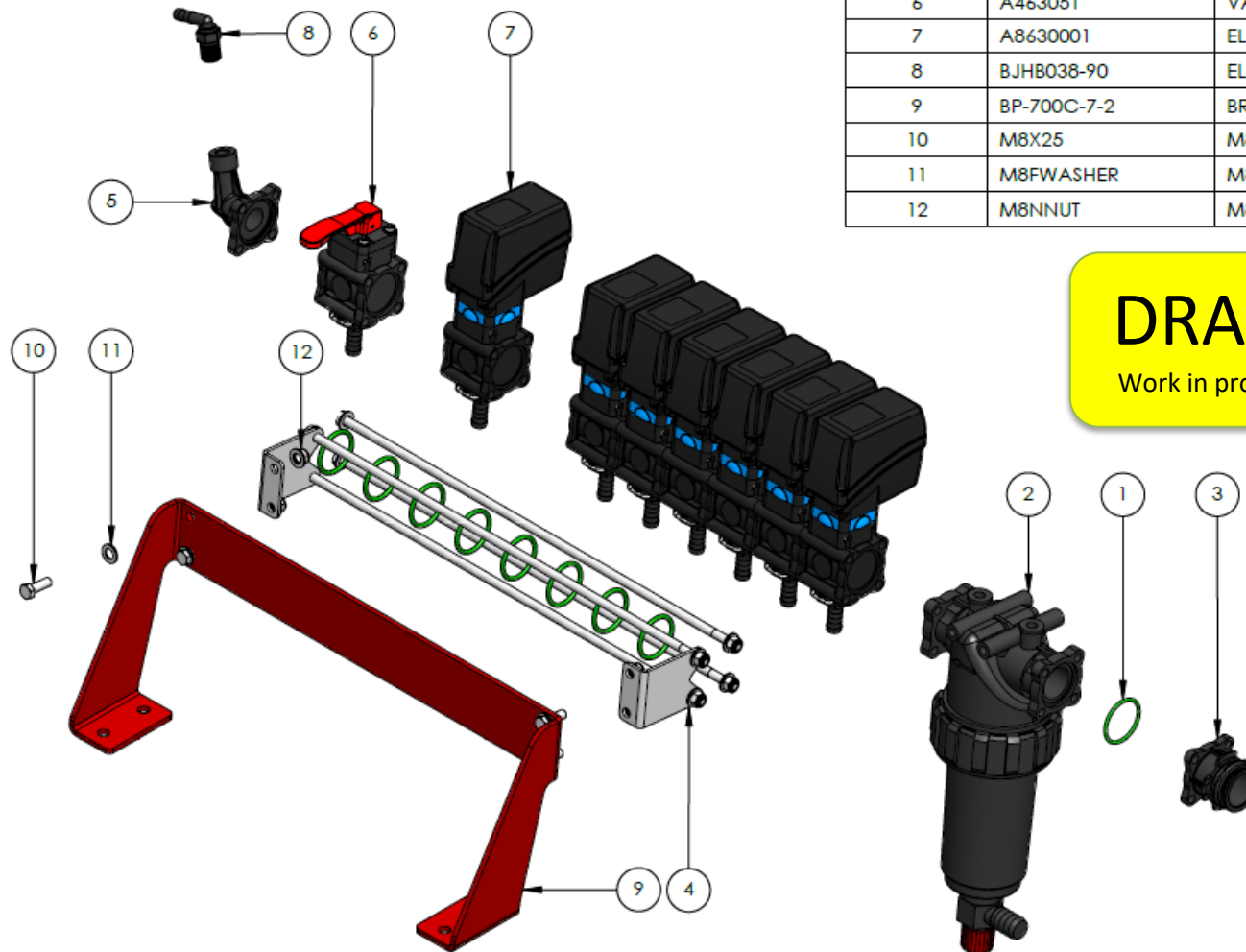
For further parts information refer to www.croplands.com.au



KB-7000-2B-1

WEED-IT QUADRO BLANKET MANIFOLD

For the 4/6000 Lt sprayers



ITEM NO.	PART NUMBER	DESCRIPTION	QTY.
1	AG10071V	O RING 2" VITON	1
2	A32621135	FILTER S/F 80MESH FLANGED TYPE	1
3	A463000.056	ADAPTER M TYPE FOR VALVE SERIES 463 T5M	1
4	A463000.970	MOUNTING KIT 4 VALVE	1
5	A463011.130	FLANGE GAUGE ADAPTOR	1
6	A463051	VALVE MANUAL 13MM TAIL	1
7	A8630001	ELECTRIC VALVE	7
8	BJHB038-90	ELBOW 3/8" NPT X 3/8" BARB	1
9	BP-700C-7-2	BRACKET SECTION VALVE QUADRO	1
10	M8X25	M8 X 25 SET SCREW HT ZP	4
11	M8FWASHER	M8 FLAT WASHER ZP	8
12	M8NNUT	M8 NYLOC NUT HT ZP	4

DRAFT
Work in progress

NOTE

Drawings are for illustration purposes only - refer to sprayer for actual plumbing. Parts lists are indicative of the sprayer type.

Items in italics or without a part number are non stocked items and may need to be specially ordered.

For further parts information refer to www.croplands.com.au

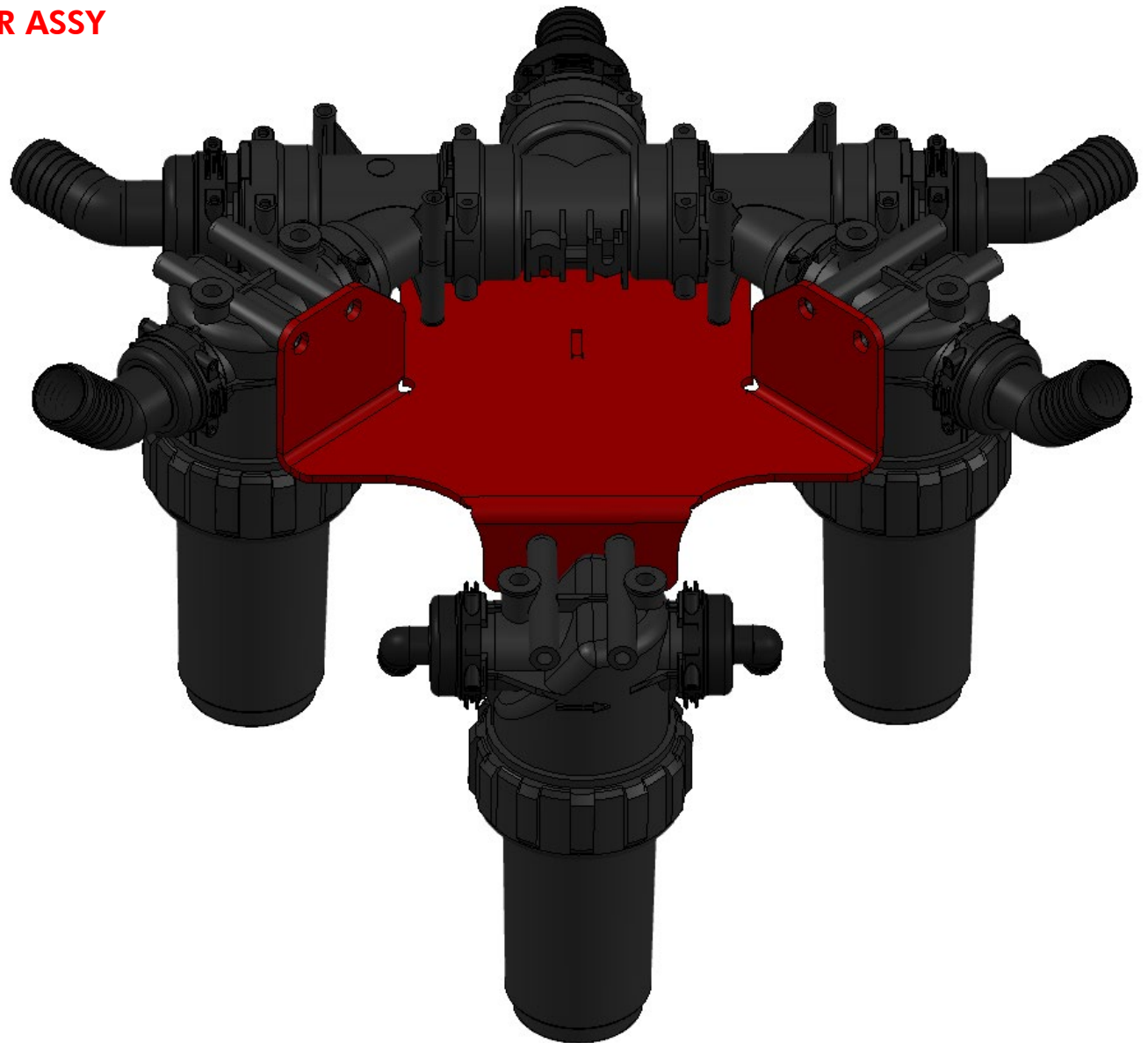
KB-7000-2B-3

WEED-IT QUADRO DUAL LINE FILTER ASSY

For the 4/6000 Lt sprayers

DRAFT

Work in progress



NOTE

Drawings are for illustration purposes only - refer to sprayer for actual plumbing. Parts lists are indicative of the sprayer type.

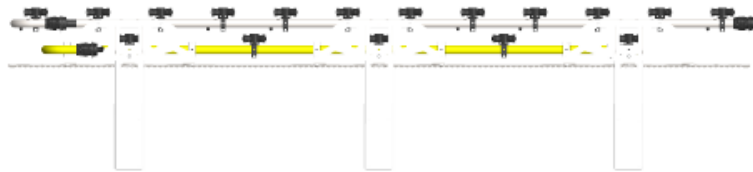
Items in *italics* or without a part number are non stocked items and may need to be specially ordered.

For further parts information refer to www.croplands.com.au

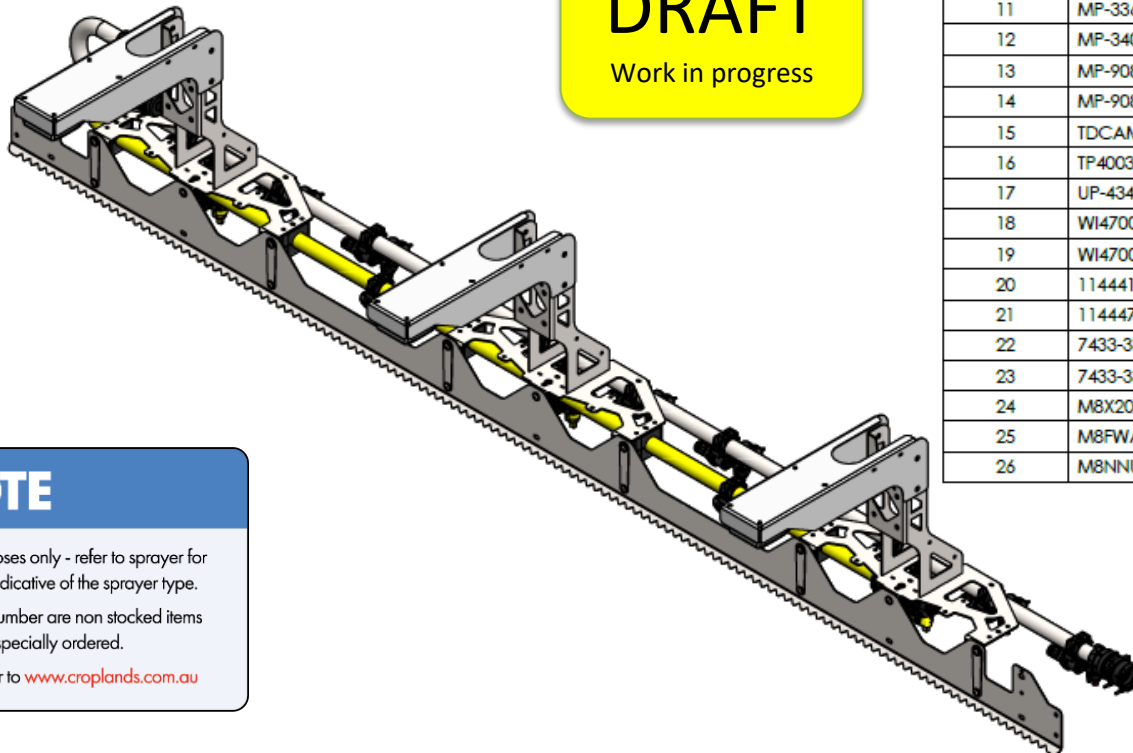
KB-7102-1L

WEED-IT QUADRO INNER ARM 1, LH, DUAL, W/ ASPIRATOR

RH Version is KB-7102-1R



DRAFT
Work in progress



ITEM NO.	PART NUMBER	DESCRIPTION	QTY.
1	AZ-ATF-04-60C	JET FULL CONE ATF 60DEG RED	12
2	A010005	INLET FORK	4
3	A1090532	HOSETAIL T5F D.32	1
4	A1190520	ELBOW T5F D.20	1
5	A190415	BOOM END FITTING EASYFIT D.1 T5M	3
6	A259055	SOCKET T5F	1
7	A40290501	CAP BLACK TO SUIT HOLLOW CONE NOZ	12
8	A4064267	NOZZLE BODY 1" 3 WAY	17
9	MP-332-1	NOZZLE PROTECTION BRACKET	6
10	MP-333	NOZZLE PROTECTION RAIL 3 CAMERA	1
11	MP-336	SPRAYBAR BRACKET INNER	3
12	MP-340E	WEEDIT BRACKET GALVANISED	3
13	MP-908B-3A	TUBE INNER 5 HOLES 500MM 180DEG ASPIRATOR	1
14	MP-908W-2	TUBE INNER 12 HOLES 250MM 180DEG	1
15	TDCAM-11002	AIR MIX W/CAP QUICKFIT 02	5
16	TP4003E-SS	JET TP#3 40 DEG EVEN ST/STEEL	12
17	UP-434	STAUFF CLAMP 33.7 OD X 52MM	5
18	WI47004360K	DETECTION SENSOR WEEDIT QUADRO	3
19	WI47004420K	SOLENOID R6 3S20	12
20	114441-1-CELR	CAP & SEAL BLACK CELCON	12
21	114447-1-CELR	CAP SHUT-OFF WITH SEAL CELCON	22
22	7433-3316	PIPE ASPIRATOR	1
23	7433-3319	TAP ASPIRATOR	1
24	M8X20BHSCREW	M8 X 20 BUTTON HEAD SCREW S/S	15
25	M8FWASHER	M8 FLAT WASHER ZP	30
26	M8NNUT	M8 NYLOC NUT HT ZP	15

NOTE

Drawings are for illustration purposes only - refer to sprayer for actual plumbing. Parts lists are indicative of the sprayer type.

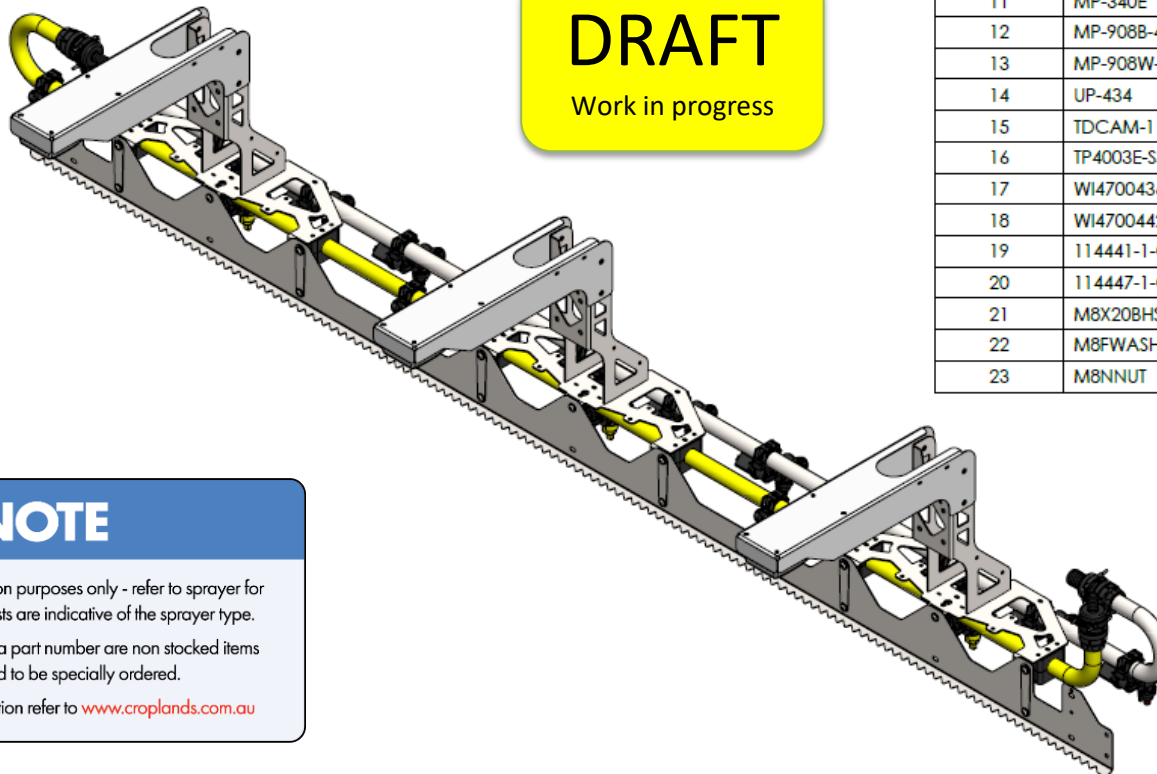
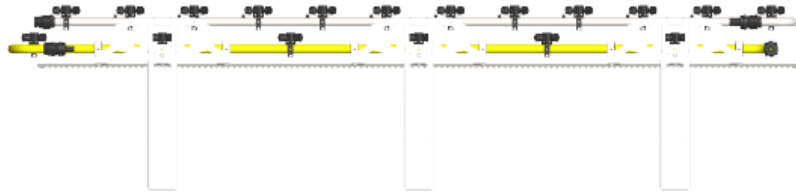
Items in *italics* or without a part number are non stocked items and may need to be specially ordered.

For further parts information refer to www.croplands.com.au

KB-7102-2L

WEED-IT QUADRO INNER ARM 2, LH, DUAL

RH Version is KB-7102-2R



DRAFT
Work in progress

ITEM NO.	PART NUMBER	DESCRIPTION	QTY.
1	AZ-ATF-04-60C	JET FULL CONE ATF 60DEG RED	12
2	A010005	INLET FORK	3
3	A1090520	HOSETAIL T5F D.20	2
4	A1090532	HOSETAIL T5F D.32	1
5	A190415	BOOM END FITTING EASYFIT D.1 T5M	4
6	A40290501	CAP BLACK TO SUIT HOLLOW CONE NOZ	12
7	A4064267	NOZZLE BODY 1" 3 WAY	18
8	MP-332-1	NOZZLE PROTECTION BRACKET	6
9	MP-333	NOZZLE PROTECTION RAIL 3 CAMERA	1
10	MP-336	SPRAYBAR BRACKET INNER	3
11	MP-340E	WEEDIT BRACKET GALVANISED	3
12	MP-908B-4	TUBE INNER 6 HOLES 500MM 180DEG	1
13	MP-908W-2	TUBE INNER 12 HOLES 250MM 180DEG	1
14	UP-434	STAUFF CLAMP 33.7 OD X 52MM	6
15	TDCAM-11002	AIR MIX W/CAP QUICKFIT 02	6
16	TP4003E-SS	JET TP#3 40 DEG EVEN ST/STEEL	12
17	WI47004360K	DETECTION SENSOR WEEDIT QUADRO	3
18	WI47004420K	SOLENOID R6 3S20	12
19	114441-1-CELR	CAP & SEAL BLACK CELCON	12
20	114447-1-CELR	CAP SHUT-OFF WITH SEAL CELCON	24
21	M8X20BHSCREW	M8 X 20 BUTTON HEAD SCREW S/S	15
22	M8FWASHER	M8 FLAT WASHER ZP	30
23	M8NNUT	M8 NYLOC NUT HT ZP	15

NOTE

Drawings are for illustration purposes only - refer to sprayer for actual plumbing. Parts lists are indicative of the sprayer type.

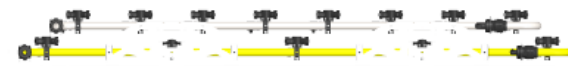
Items in *italics* or without a part number are non stocked items and may need to be specially ordered.

For further parts information refer to www.croplands.com.au

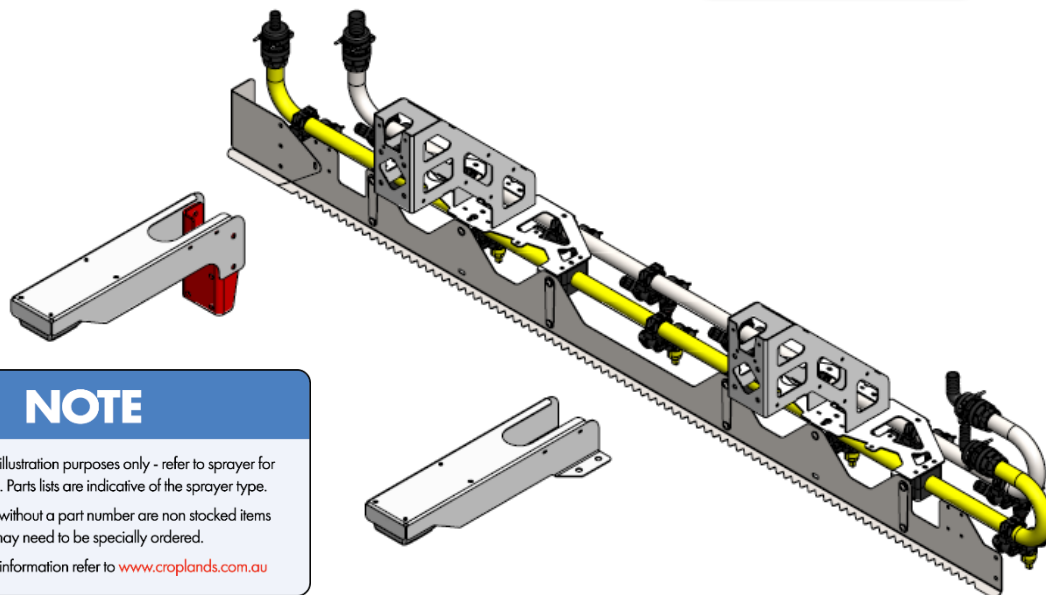
KB-7102-3L

WEED-IT QUADRO INNER ARM 3, LH, DUAL

RH Version is KB-7102-3R



DRAFT
Work in progress



NOTE

Drawings are for illustration purposes only - refer to sprayer for actual plumbing. Parts lists are indicative of the sprayer type.

Items in *italics* or without a part number are non stocked items and may need to be specially ordered.

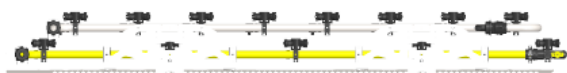
For further parts information refer to www.croplands.com.au

ITEM NO.	PART NUMBER	DESCRIPTION	QTY.
1	AZ-ATF-04-60C	JET FULL CONE ATF 60DEG RED	8
2	A010005	INLET FORK	4
3	A1090520	HOSETAIL T5F D.20	1
4	A1190520	ELBOW T5F D.20	1
5	A1190525	ELBOW T5F D.25	1
6	A1090532	HOSETAIL T5F D.32	1
7	A190415	BOOM END FITTING EASYFIT D.1 T5M	4
8	A40290501	CAP BLACK TO SUIT HOLLOW CONE NOZ	8
9	A4064267	NOZZLE BODY 1" 3 WAY	13
10	MP-332	NOZZLE PROTECTION RAIL 2 CAMERA	1
11	MP-332-1	NOZZLE PROTECTION BRACKET	4
12	MP-333-1L	NOZZLE PROTECTION EXTENSION LH	1
13	MP-337	TUBE MOUNT BRACKET LONG	2
14	MP-340E	WEEDIT BRACKET GALVANISED	1
15	MP-340F	WEEDIT BRACKET GALVANISED	1
16	MP-341A	CAMERA BRACKET MOUNT	1
17	MP-908B-5	TUBE INNER 5 HOLES 500MM 180DEG	1
18	MP-908W-3	TUBE INNER 8 HOLES 250MM 180DEG	1
19	TDCAM-11002	AIR MIX W/CAP QUICKFIT 02	5
20	TP4003E-SS	JET TP#3 40 DEG EVEN ST/STEEL	8
21	UP-434	STAUFF CLAMP 33.7 OD X 52MM	4
22	WI47004360K	DETECTION SENSOR WEEDIT QUADRO	2
23	WI47004420K	SOLENOID R6 3S20	8
24	114441-1-CELR	CAP & SEAL BLACK CELCON	8
25	114447-1-CELR	CAP SHUT-OFF WITH SEAL CELCON	18
26	M8X20BHSCREW	M8 X 20 BUTTON HEAD SCREW S/S	10
27	M8FWASHER	M8 FLAT WASHER ZP	20
28	M8NNUT	M8 NYLOC NUT HT ZP	10

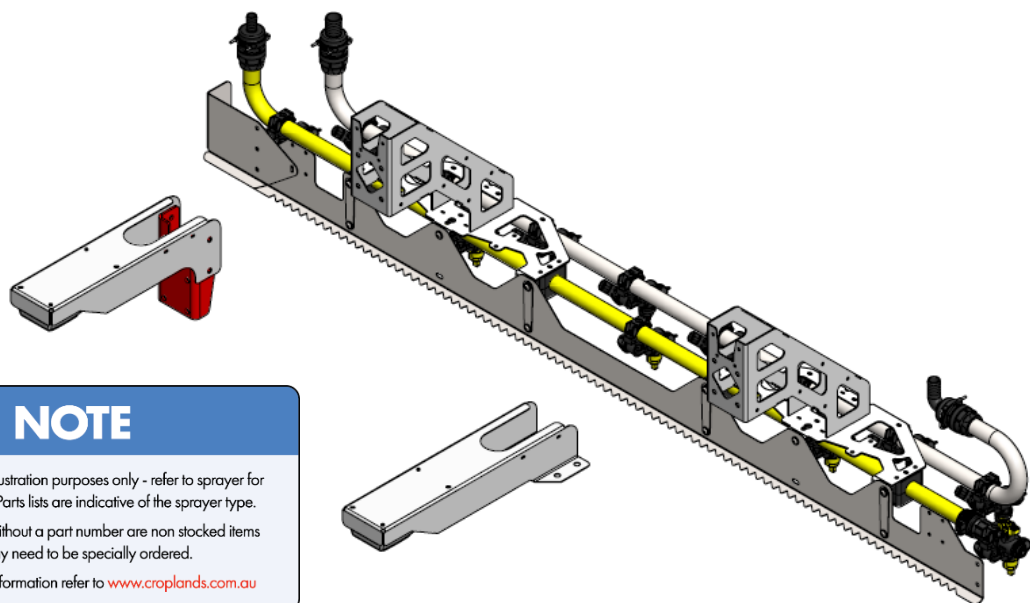
KB-7102-3LA

24M WEED-IT QUADRO INNER ARM 3, LH, DUAL

RH Version is KB-7102-3RA



DRAFT
Work in progress



NOTE

Drawings are for illustration purposes only - refer to sprayer for actual plumbing. Parts lists are indicative of the sprayer type.

Items in *italics* or without a part number are non stocked items and may need to be specially ordered.

For further parts information refer to www.croplands.com.au

ITEM NO.	PART NUMBER	DESCRIPTION	QTY.
1	AZ-ATF-04-60C	JET FULL CONE ATF 60DEG RED	8
2	A010005	INLET FORK	3
3	A1090520	HOSETAIL T5F D.20	1
4	A1190525	ELBOW T5F D.25	1
5	A1090532	HOSETAIL T5F D.32	1
6	A190415	BOOM END FITTING EASYFIT D.1 T5M	3
7	A40290501	CAP BLACK TO SUIT HOLLOW CONE NOZ	8
8	A4064267	NOZZLE BODY 1" 3 WAY	13
9	MP-332	NOZZLE PROTECTION RAIL 2 CAMERA	1
10	MP-332-1	NOZZLE PROTECTION BRACKET	4
11	MP-333-1L	NOZZLE PROTECTION EXTENSION LH	1
12	MP-337	TUBE MOUNT BRACKET LONG	2
13	MP-340E	WEEDIT BRACKET GALVANISED	1
14	MP-340F	WEEDIT BRACKET GALVANISED	1
15	MP-341A	CAMERA BRACKET MOUNT	1
16	MP-908B-5A	TUBE INNER 5 HOLES 500MM 90DEG ASPIRATOR	1
17	MP-908W-3	TUBE INNER 8 HOLES 250MM 180DEG	1
18	TDCAM-11002	AIR MIX W/CAP QUICKFIT 02	5
19	TP4003E-SS	JET TP#3 40 DEG EVEN ST/STEEL	8
20	UP-434	STAUFF CLAMP 33.7 OD X 52MM	4
21	WI47004360K	DETECTION SENSOR WEEDIT QUADRO	2
22	WI47004420K	SOLENOID R6 3S20	8
23	114441-1-CELR	CAP & SEAL BLACK CELCON	8
24	114447-1-CELR	CAP SHUT-OFF WITH SEAL CELCON	18
25	7433-3316	PIPE ASPIRATOR	1
26	7433-3319	TAP ASPIRATOR	1
27	M8X20BHSCREW	M8 X 20 BUTTON HEAD SCREW S/S	10
28	M8FWASHER	M8 FLAT WASHER ZP	20
29	M8NNUIT	M8 NYLOC NUT HT ZP	10

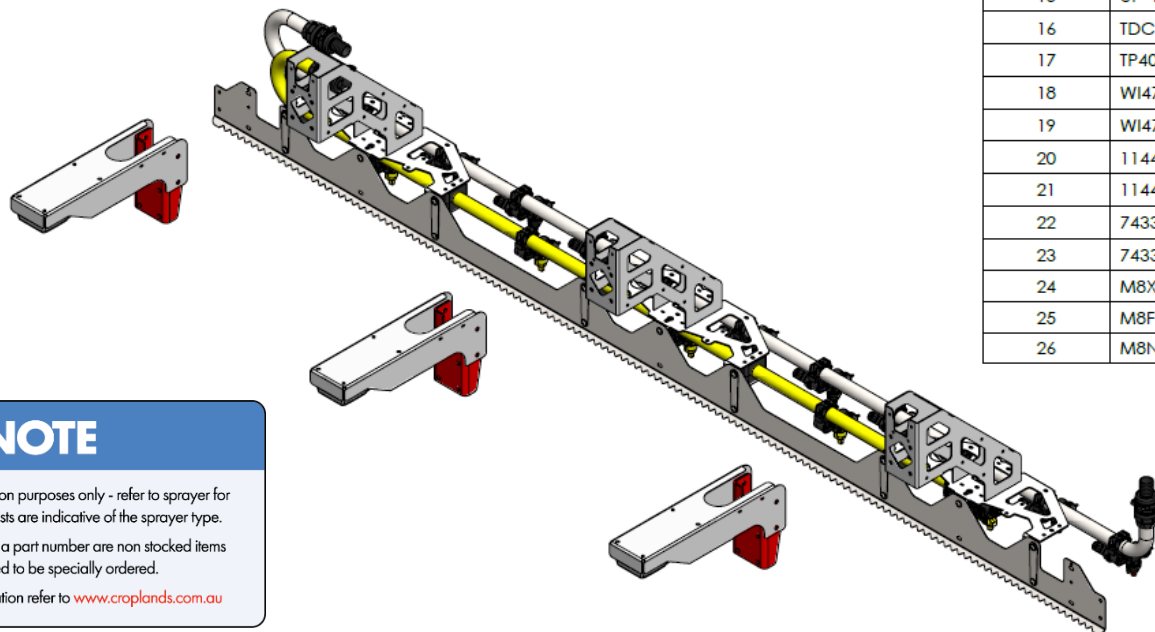
KB-7102-4L

WEED-IT QUADRO OUTER ARM 1, LH, DUAL

RH Version is KB-7102-4R



DRAFT
Work in progress



ITEM NO.	PART NUMBER	DESCRIPTION	QTY.
1	AZ-ATF-04-60C	JET FULL CONE ATF 60DEG RED	12
2	A010005	INLET FORK	3
3	A1090532	HOSETAIL T5F D.32	2
4	A190415	BOOM END FITTING EASYFIT D.1 T5M	3
5	A1190520	ELBOW T5F D.20	1
6	A40290501	CAP BLACK TO SUIT HOLLOW CONE NOZ	12
7	A4064267	NOZZLE BODY 1" 3 WAY	16
8	A4064L267	COMPACT JET 1" 3 WAY LH EPDM	1
9	MP-333	NOZZLE PROTECTION RAIL 3 CAMERA	1
10	MP-337	TUBE MOUNT BRACKET LONG	3
11	MP-340E	WEEDIT BRACKET GALVANISED	3
12	MP-341A	CAMERA BRACKET MOUNT	3
13	MP-908B-3A	TUBE INNER 5 HOLES 500MM 180DEG ASPIRATOR	1
14	MP-908W-4	TUBE OUTER 12 HOLES 250MM 180DEG	1
15	UP-434	STAUFF CLAMP 33.7 OD X 52MM	5
16	TDCAM-11002	AIR MIX W/CAP QUICKFIT 02	5
17	TP4003E-SS	JET TP#3 40 DEG EVEN ST/STEEL	12
18	WI47004360K	DETECTION SENSOR WEEDIT QUADRO	3
19	WI47004420K	SOLENOID R6 3S20	12
20	114441-1-CELR	CAP & SEAL BLACK CELCON	12
21	114447-1-CELR	CAP SHUT-OFF WITH SEAL CELCON	22
22	7433-3316	PIPE ASPIRATOR	1
23	7433-3319	TAP ASPIRATOR	1
24	M8X20BHSCREW	M8 X 20 BUTTON HEAD SCREW S/S	15
25	M8FWASHER	M8 FLAT WASHER ZP	30
26	M8NNUIT	M8 NYLOC NUT HT ZP	15

NOTE

Drawings are for illustration purposes only - refer to sprayer for actual plumbing. Parts lists are indicative of the sprayer type.

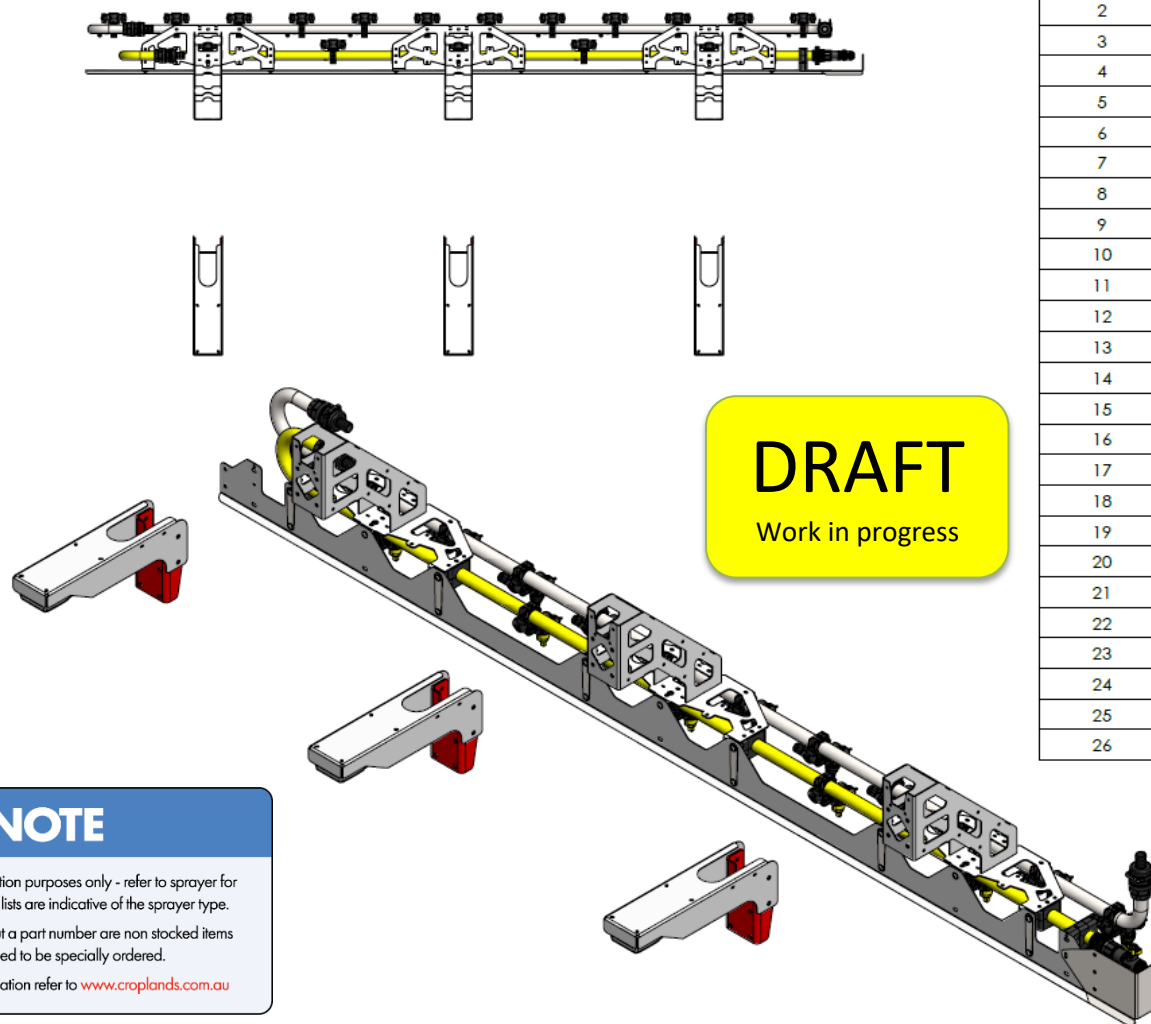
Items in *italics* or without a part number are non stocked items and may need to be specially ordered.

For further parts information refer to www.croplands.com.au

KB-7102-4LA

24M WEED-IT QUADRO OUTER ARM 1, LH, DUAL

RH Version is KB-7102-4RA



ITEM NO.	PART NUMBER	DESCRIPTION	QTY.
1	AZ-ATF-04-60C	JET FULL CONE ATF 60DEG RED	12
2	A010005	INLET FORK	3
3	A1090525	HOSETAIL T5F D.25	3
4	A190415	BOOM END FITTING EASYFIT D.1 T5M	3
5	A40290501	CAP BLACK TO SUIT HOLLOW CONE NOZ	12
6	A4064267	NOZZLE BODY 1" 3 WAY	17
7	MP-332-1	NOZZLE PROTECTION BRACKET	6
8	MP-333A	NOZZLE PROTECTION RAIL 3 CAMERA	1
9	MP-333-1R	NOZZLE PROTECTION EXTENSION RH	1
10	MP-337	TUBE MOUNT BRACKET LONG	3
11	MP-340E	WEEDIT BRACKET GALVANISED	3
12	MP-341A	CAMERA BRACKET MOUNT	3
13	MP-908B-6A	TUBE OUTER 6 HOLES 500MM 180DEG 24M	1
14	MP-908W-4	TUBE OUTER 12 HOLES 250MM 180DEG	1
15	TDCAM-11002	AIR MIX W/CAP QUICKFIT 02	5
16	TP4003E-SS	JET TP#3 40 DEG EVEN ST/STEEL	12
17	UP-434	STAUFF CLAMP 33.7 OD X 52MM	8
18	WI47004360K	DETECTION SENSOR WEEDIT QUADRO	3
19	WI47004420K	SOLENOID R6 3S20	12
20	114441-1-CELR	CAP & SEAL BLACK CELCON	12
21	114447-1-CELR	CAP SHUT-OFF WITH SEAL CELCON	22
22	7433-3316	PIPE ASPIRATOR	1
23	7433-3319	TAP ASPIRATOR	1
24	M8X20BHSCREW	M8 X 20 BUTTON HEAD SCREW S/S	15
25	M8FWASHER	M8 FLAT WASHER ZP	30
26	M8NNUT	M8 NYLOC NUT HT ZP	15

DRAFT
Work in progress

NOTE

Drawings are for illustration purposes only - refer to sprayer for actual plumbing. Parts lists are indicative of the sprayer type.

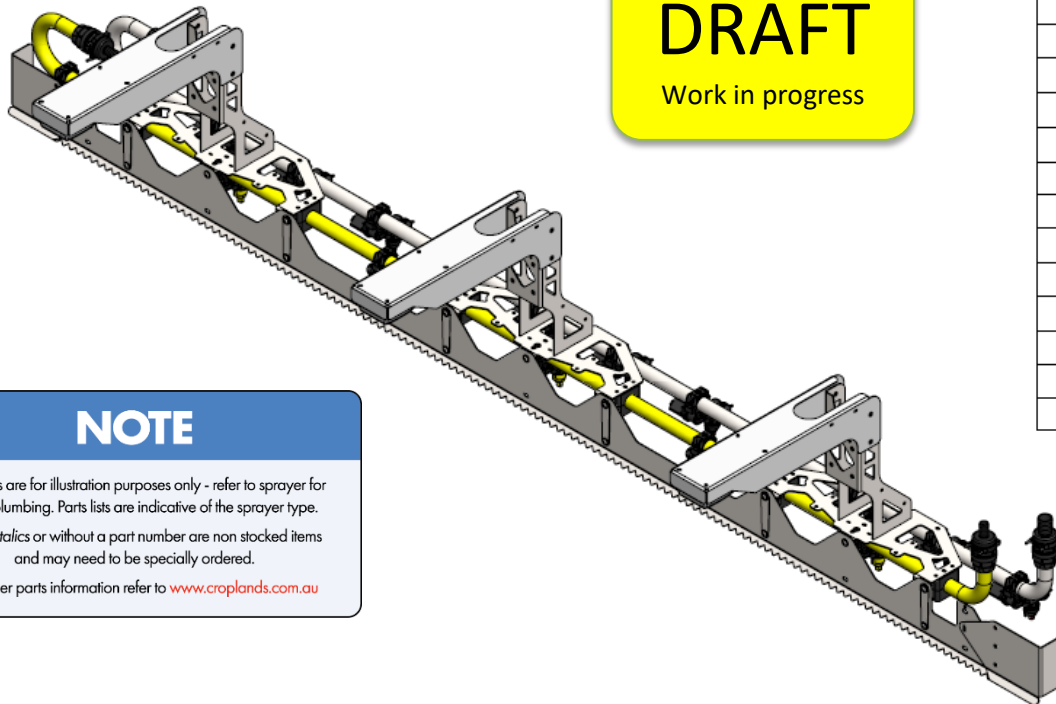
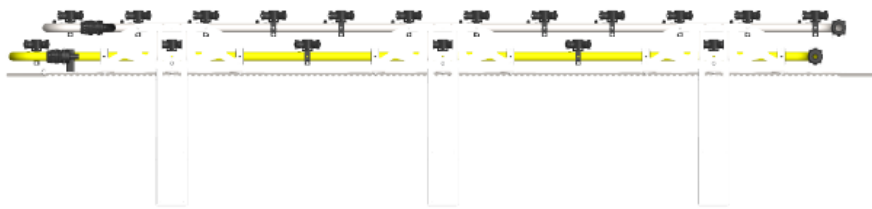
Items in *italics* or without a part number are non stocked items and may need to be specially ordered.

For further parts information refer to www.croplands.com.au

KB-7102-5L

WEED-IT QUADRO OUTER ARM 2, LH, DUAL

RH Version is KB-7102-5R



DRAFT
Work in progress

ITEM NO.	PART NUMBER	DESCRIPTION	QTY.
1	AZ-ATF-04-60C	JET FULL CONE ATF 60DEG RED	12
2	A010005	INLET FORK	4
3	A1090520	HOSETAIL T5F D.20	2
4	A1090532	HOSETAIL T5F D.32	1
5	A1190532	ELBOW T5F D.32	1
6	A190415	BOOM END FITTING EASYFIT D.1 T5M	4
7	A40290501	CAP BLACK TO SUIT HOLLOW CONE NOZ	12
8	A4064267	NOZZLE BODY 1" 3 WAY	18
9	MP-333	NOZZLE PROTECTION RAIL 3 CAMERA	1
10	MP-333-1L	NOZZLE PROTECTION EXTENSION LH	1
11	MP-333-1R	NOZZLE PROTECTION EXTENSION RH	1
12	MP-336	SPRAYBAR BRACKET INNER	3
13	MP-340E	WEEDIT BRACKET GALVANISED	3
14	MP-908B-4	TUBE INNER 6 HOLES 500MM 180DEG	1
15	MP-908W-4	TUBE OUTER 12 HOLES 250MM 180DEG	1
16	TDCAM-11002	AIR MIX W/CAP QUICKFIT 02	6
17	TP4003E-SS	JET TP#3 40 DEG EVEN ST/STEEL	12
18	UP-434	STAUFF CLAMP 33.7 OD X 52MM	8
19	WI47004360K	DETECTION SENSOR WEEDIT QUADRO	3
20	WI47004420K	SOLENOID R6 3S20	12
21	114441-1-CELR	CAP & SEAL BLACK CELCON	12
22	114447-1-CELR	CAP SHUT-OFF WITH SEAL CELCON	24
23	M8X20BHSCREW	M8 X 20 BUTTON HEAD SCREW S/S	17
24	M8FWASHER	M8 FLAT WASHER ZP	34
25	M8NNUT	M8 NYLOC NUT HT ZP	17

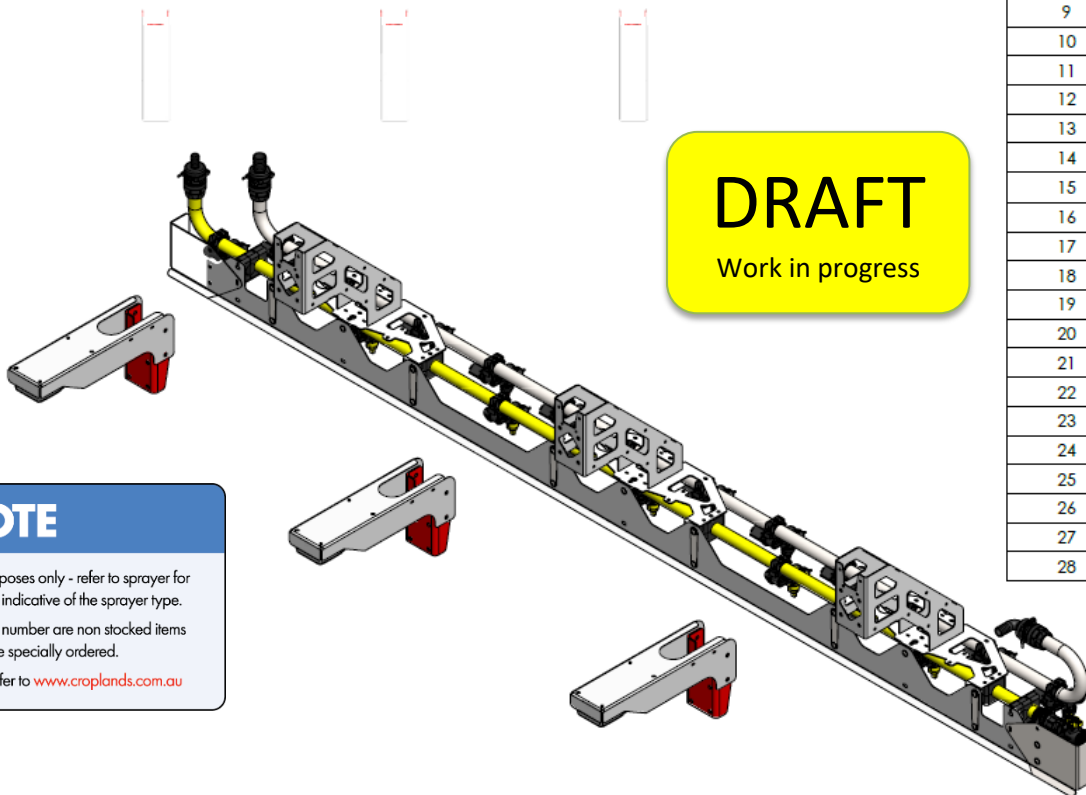
NOTE

Drawings are for illustration purposes only - refer to sprayer for actual plumbing. Parts lists are indicative of the sprayer type.
 Items in *italics* or without a part number are non stocked items and may need to be specially ordered.
 For further parts information refer to www.croplands.com.au

KB-7102-6L

WEED-IT QUADRO OUTER ARM 3, LH, DUAL

RH Version is KB-7102-6R



ITEM NO.	PART NUMBER	DESCRIPTION	QTY.
1	AZ-ATF-04-60C	JET FULL CONE ATF 60DEG RED	12
2	A010005	INLET FORK	3
3	A1090520	HOSETAIL T5F D.20	1
4	A1090532	HOSETAIL T5F D.32	1
5	A1190525	ELBOW T5F D.25	1
6	A190415	BOOM END FITTING EASYFIT D.1 T5M	3
7	A40290501	CAP BLACK TO SUIT HOLLOW CONE NOZ	12
8	A4064267	NOZZLE BODY 1" 3 WAY	19
9	MP-333A	NOZZLE PROTECTION RAIL 3 CAMERA	1
10	MP-333-1L	NOZZLE PROTECTION EXTENSION LH	1
11	MP-333-1R	NOZZLE PROTECTION EXTENSION RH	1
12	MP-337	TUBE MOUNT BRACKET LONG	3
13	MP-340E	WEEDIT BRACKET GALVANISED	3
14	MP-341A	CAMERA BRACKET MOUNT	3
15	MP-908B-7A	TUBE OUTER 7 HOLES 500MM 90DEG ASPIRATOR	1
16	MP-908W-4	TUBE OUTER 12 HOLES 250MM 180DEG	1
17	UP-434	STAUFF CLAMP 33.7 OD X 52MM	10
18	TDCAM-11002	AIR MIX W/CAP QUICKFIT 02	7
19	TP4003E-SS	JET TP#3 40 DEG EVEN ST/STEEL	12
20	WI47004360K	DETECTION SENSOR WEEDIT QUADRO	3
21	WI47004420K	SOLENOID R6 3S20	12
22	114441-1-CELR	CAP & SEAL BLACK CELCON	12
23	114447-1-CELR	CAP SHUT-OFF WITH SEAL CELCON	26
24	7433-3316	PIPE ASPIRATOR	1
25	7433-3319	TAP ASPIRATOR	1
26	M8X20BHSCREW	M8 X 20 BUTTON HEAD SCREW S/S	17
27	M8FWASHER	M8 FLAT WASHER ZP	34
28	M8NUT	M8 NYLOC NUT HT ZP	17

NOTE

Drawings are for illustration purposes only - refer to sprayer for actual plumbing. Parts lists are indicative of the sprayer type.

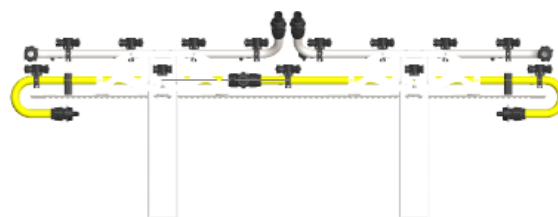
Items in *italics* or without a part number are non stocked items and may need to be specially ordered.

For further parts information refer to www.croplands.com.au

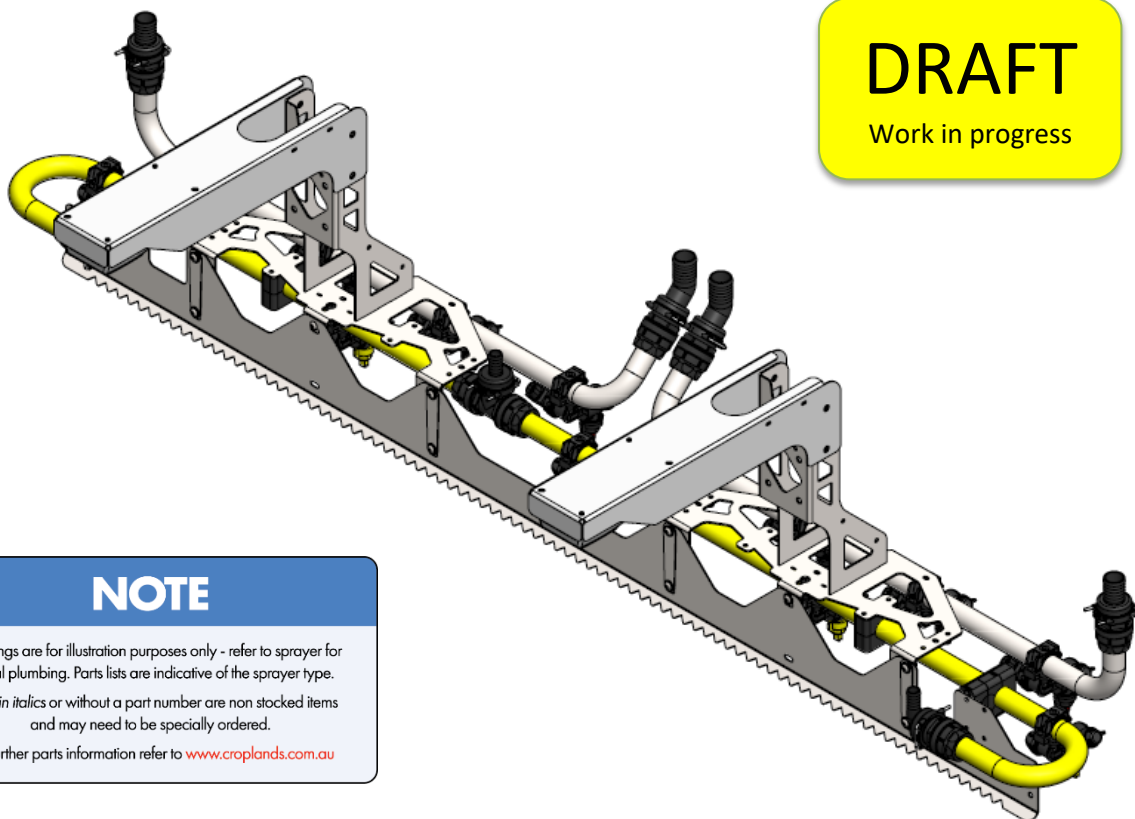
KB-7102-7

WEED-IT QUADRO 4/6000 CENTRE, DUAL LINE

See KB-7102-8 for the 7000 version



DRAFT
Work in progress



NOTE

Drawings are for illustration purposes only - refer to sprayer for actual plumbing. Parts lists are indicative of the sprayer type.

Items in *italics* or without a part number are non stocked items and may need to be specially ordered.

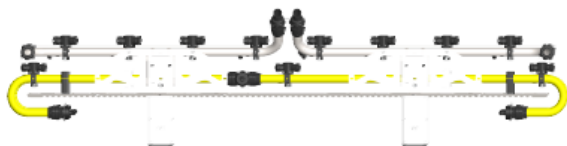
For further parts information refer to www.croplands.com.au

ITEM NO.	PART NUMBER	DESCRIPTION	QTY.
1	AZ-ATF-04-60C	JET FULL CONE ATF 60DEG RED	8
2	A010005	INLET FORK	7
3	A1090520	HOSETAIL T5F D.20	1
4	A1090532	HOSETAIL T5F D.32	2
5	A1190520	ELBOW T5F D.20	2
6	A1192535	ELBOW 45DEG T5F D.35	2
7	A190415	BOOM END FITTING EASYFIT D.1 T5M	6
8	A193415	FITTING T EASYFIT D.1 T5M	1
9	A40290501	CAP BLACK TO SUIT HOLLOW CONE NOZ	8
10	A4064267	NOZZLE BODY 1" 3 WAY	13
11	MP-332	NOZZLE PROTECTION RAIL 2 CAMERA	1
12	MP-332-1	NOZZLE PROTECTION BRACKET	4
13	MP-336	SPRAYBAR BRACKET INNER	2
14	MP-340E	WEEDIT BRACKET GALVANISED	2
15	MP-908B-1	TUBE 2 HOLES CENTRE BROADCAST 180 DEG	1
16	MP-908B-2	TUBE CENTRE 3 HOLES BROADCAST 180 DEG	1
17	MP-908W-1L	TUBE CENTRE 4 HOLES 250MM 90DEG LH	1
18	MP-908W-1R	TUBE CENTRE 4 HOLES 250MM 90DEG RH	1
19	UP-434	STAUFF CLAMP 33.7 OD X 52MM	6
20	TDCAM-11002	AIR MIX W/CAP QUICKFIT 02	5
21	TP4003E-SS	JET TP#3 40 DEG EVEN ST/STEEL	8
22	WI47004360K	DETECTION SENSOR WEEDIT QUADRO	2
23	WI47004420K	SOLENOID R6 3S20	8
24	114441-1-CELR	CAP & SEAL BLACK CELCON	8
25	114447-1-CELR	CAP SHUT-OFF WITH SEAL CELCON	18
26	M8X20BHSCREW	M8 X 20 BUTTON HEAD SCREW S/S	10
27	M8FWASHER	M8 FLAT WASHER ZP	19
28	M8NNUT	M8 NYLOC NUT HT ZP	10

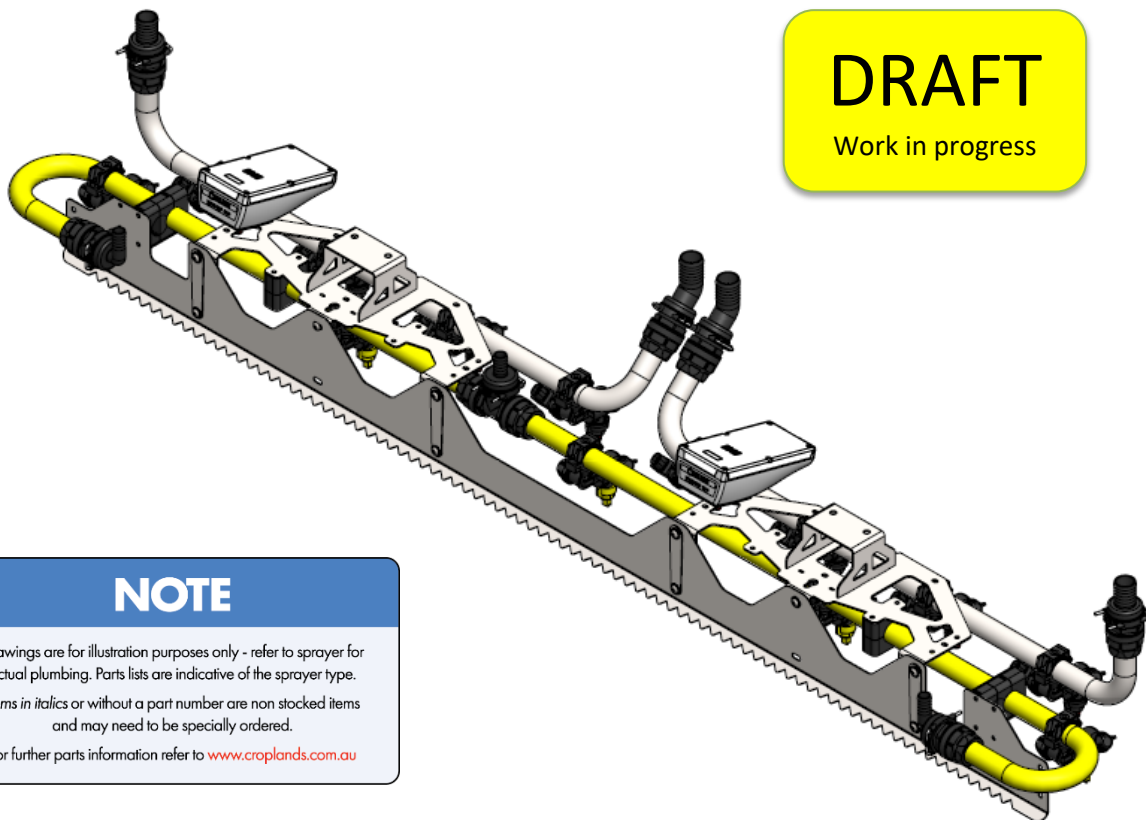
KB-7102-8

WEED-IT QUADRO 7000 CENTRE, DUAL LINE

See KB-7102-7 for the 4/6000 version



DRAFT
Work in progress



ITEM NO.	PART NUMBER	DESCRIPTION	QTY.
1	AZ-ATF-04-60C	JET FULL CONE ATF 60DEG RED	8
2	A010005	INLET FORK	7
3	A1090520	HOSETAIL T5F D.20	1
4	A1090532	HOSETAIL T5F D.32	2
5	A1190520	ELBOW T5F D.20	2
6	A1192535	ELBOW 45DEG T5F D.35	2
7	A190415	BOOM END FITTING EASYFIT D.1 T5M	6
8	A193415	FITTING T EASYFIT D.1 T5M	1
9	A40290501	CAP BLACK TO SUIT HOLLOW CONE NOZ	8
10	A4064267	NOZZLE BODY 1" 3 WAY	13
11	UP-434	STAUFF CLAMP 33.7 OD X 52MM	6
12	TDCAM-11002	AIR MIX W/CAP QUICKFIT 02	5
13	TP4003E-SS	JET TP#3 40 DEG EVEN ST/STEEL	8
14	114441-1-CELR	CAP & SEAL BLACK CELCON	8
15	114447-1-CELR	CAP SHUT-OFF WITH SEAL CELCON	18
16	MP-332	NOZZLE PROTECTION RAIL 2 CAMERA	1
17	MP-332-1	NOZZLE PROTECTION BRACKET	4
18	MP-335	SPRAYBAR BRACKET CENTRE	2
19	MP-908B-1	TUBE 2 HOLES CENTRE BROADCAST 180 DEG	1
20	MP-908B-2	TUBE CENTRE 3 HOLES BROADCAST 180 DEG	1
21	MP-908W-1L	TUBE CENTRE 4 HOLES 250MM 90DEG LH	1
22	MP-908W-1R	TUBE CENTRE 4 HOLES 250MM 90DEG RH	1
23	WI47004360K	DETECTION SENSOR WEEDIT QUADRO	2
24	WI47004420K	SOLENOID R6 3S20	8
25	M8X20BHSCREW	M8 X 20 BUTTON HEAD SCREW S/S	10
26	M8FWASHER	M8 FLAT WASHER ZP	19
27	M8NNUT	M8 NYLOC NUT HT ZP	10

NOTE

Drawings are for illustration purposes only - refer to sprayer for actual plumbing. Parts lists are indicative of the sprayer type.

Items in *italics* or without a part number are non stocked items and may need to be specially ordered.

For further parts information refer to www.croplands.com.au

KB-7500-2A-1

WEED-IT 7000 QUADRO DUAL LINE FILTER ASSY

For the 7000 Lt sprayers

DRAFT

Work in progress

NOTE

Drawings are for illustration purposes only - refer to sprayer for actual plumbing. Parts lists are indicative of the sprayer type.

Items in *italics* or without a part number are non stocked items and may need to be specially ordered.

For further parts information refer to www.croplands.com.au

