

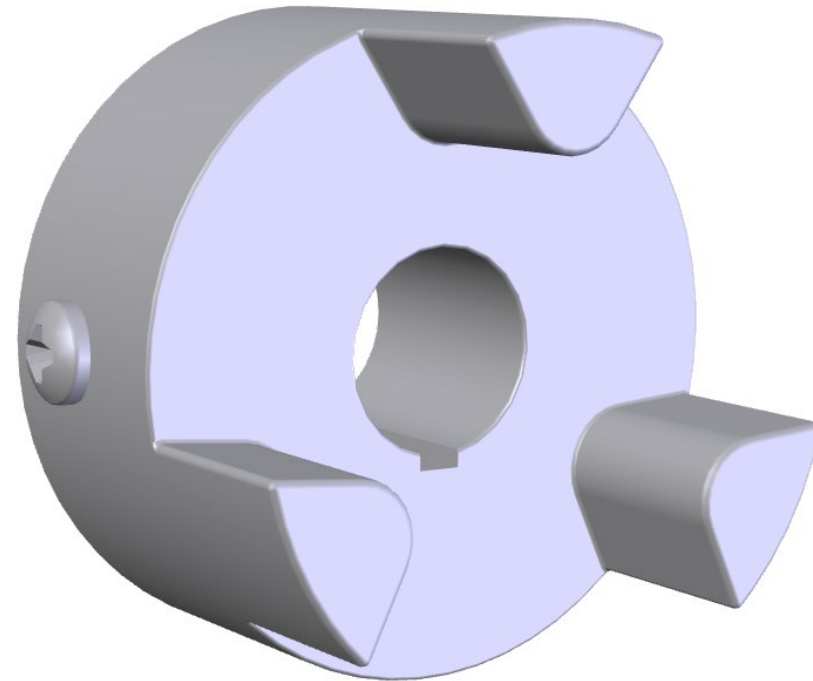
## HP-219-1A1

### SPIDER COUPLING (HALF)

As used on QM-420, QM-380 and pre 2007 QM-500.

Aluminium, with screw for RPM sensor.

Also used with HP-219-1C coupling insert (rubber).



#### NOTE

Drawings are for illustration purposes only - refer to sprayer for actual plumbing. Parts lists are indicative of the sprayer type.

*Items in italics* or without a part number are non stocked items and may need to be specially ordered.

For further parts information refer to [www.croplands.com.au](http://www.croplands.com.au)