

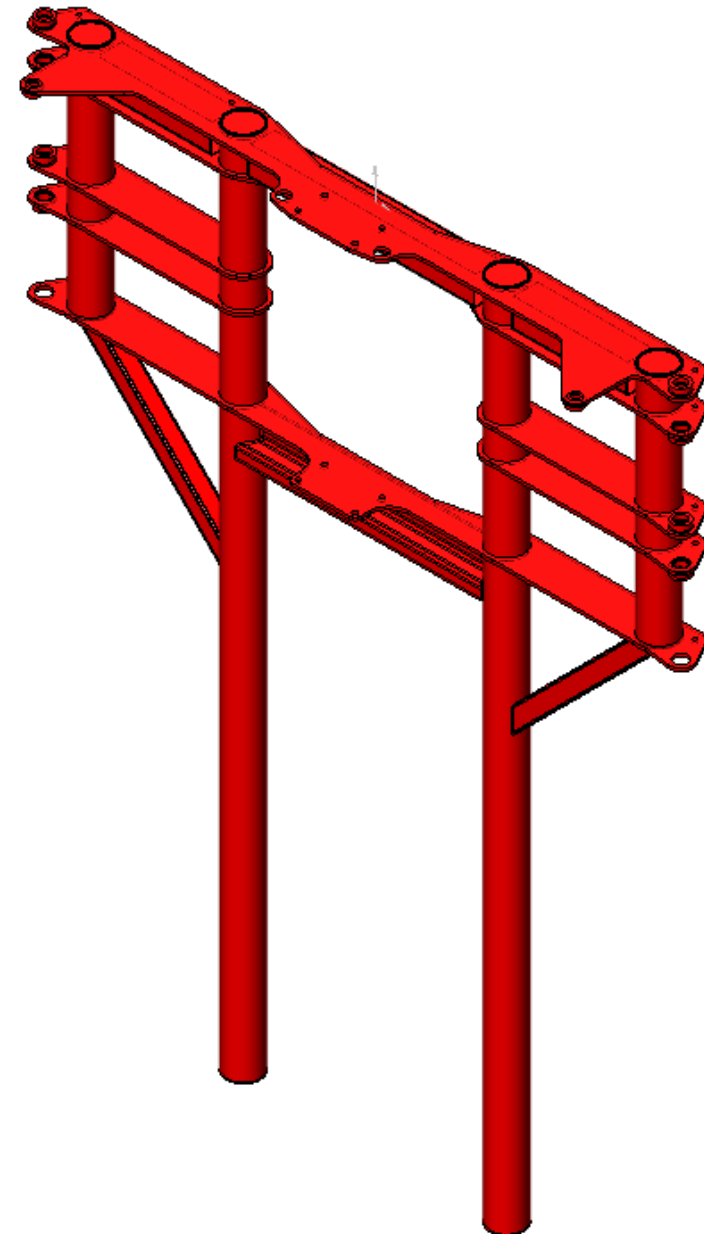
HP-274A-15AW

MAIN TOWER, WIDE, VERSION 2, QM-420

Used on Classic + QM-420 Sprayers, 2000, 3000 & 4000 Lt. Not for use on Smart Sprayer.

Powder-coat red

Weight = tba



NOTE

Drawings are for illustration purposes only - refer to sprayer for actual plumbing. Parts lists are indicative of the sprayer type.

Items in italics or without a part number are non stocked items and may need to be specially ordered.

For further parts information refer to www.croplands.com.au