

HP-275-3

CLAMP QM TOWER TO FM LINKAGE

For 300, 600, 800 & 1000

Galvanised

Weight = 1.84 kg

NOTE

Drawings are for illustration purposes only - refer to sprayer for actual plumbing. Parts lists are indicative of the sprayer type.

Items in italics or without a part number are non stocked items and may need to be specially ordered.

For further parts information refer to www.croplands.com.au

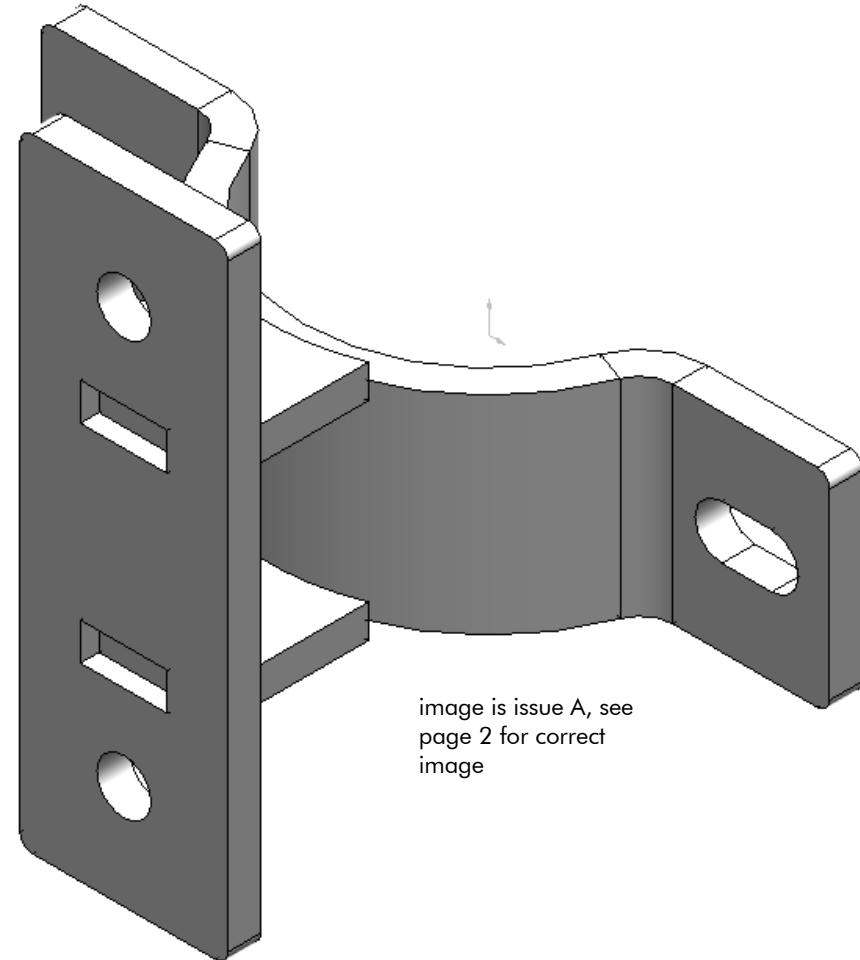
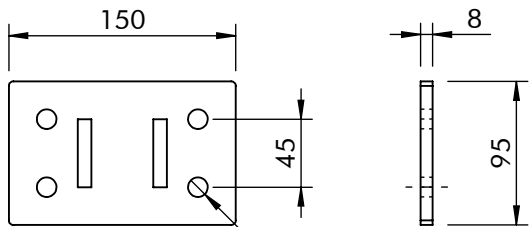
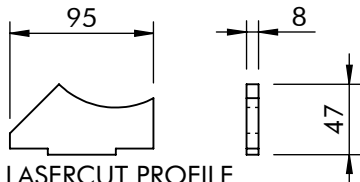


image is issue A, see
page 2 for correct
image

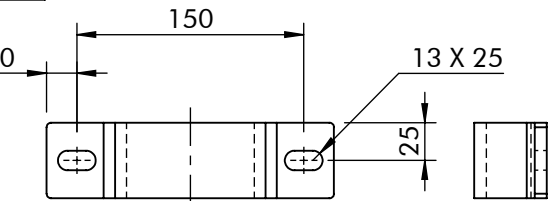
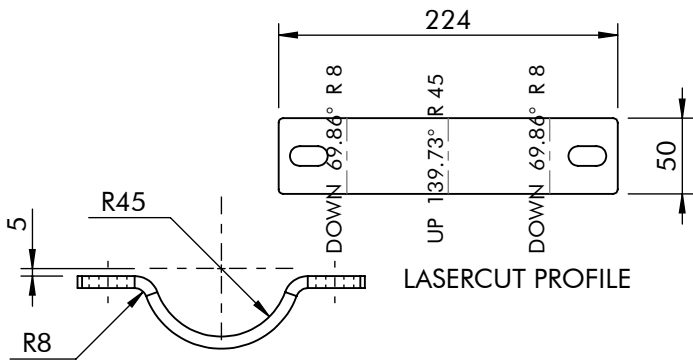
1 2 3 4 5 6



1 LASERCUT PROFILE
BOLTING PLATE
 MATERIAL : 8 M.S. PLATE
 QTY. : 1
 PART No. : HP-275-3-001



2 LASERCUT PROFILE
GUSSET
 MATERIAL : 8 M.S. PLATE
 QTY. : 2
 PART No. : HP-275-3-002

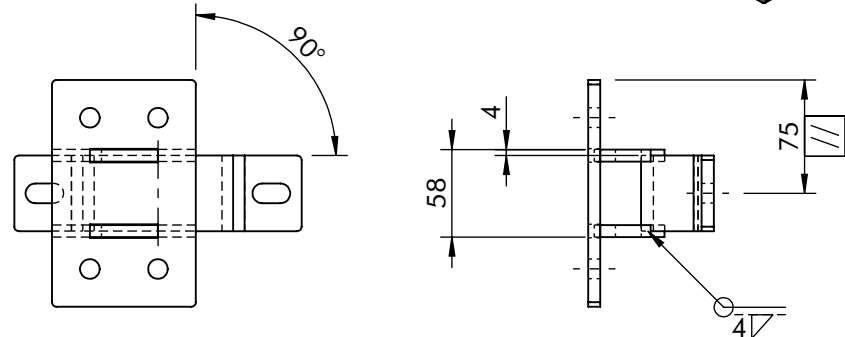
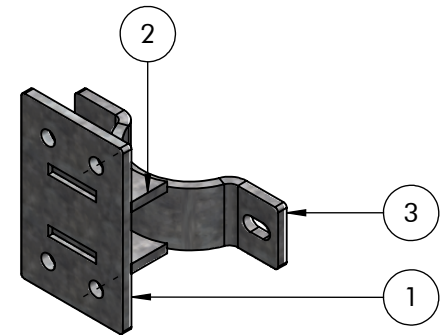
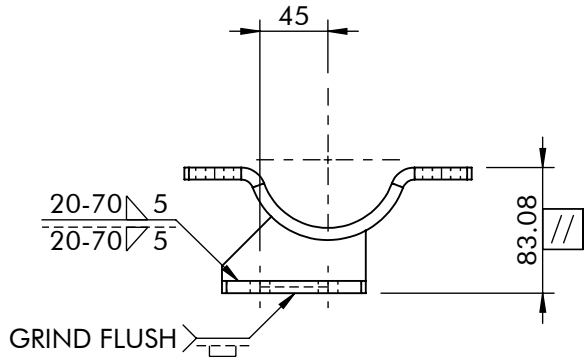


3 LASERCUT PROFILE
CLAMP HALF SADDLE, 90MM
 MATERIAL : 8 M.S. PLATE
 QTY. : 1
 PART No. : HP-274A-14G

ITEM NO.	PART NUMBER	DESCRIPTION	QTY.	LENGTH
1	HP-275-3-001	BOLTING PLATE	1	
2	HP-275-3-002	GUSSET	2	
3	HP-274A-14G	CLAMP HALF SADDLE 90MM	1	

SUPPLY 4 OFF

ZONE	REV.	DESCRIPTION	DATE	APPROVED
C6, D6	B	ITEM 1 & 2 WERE MODIFIED	6/09/2021	RPJUCO



UNLESS OTHERWISE SPECIFIED:
 DIMENSIONS ARE IN MILLIMETERS
 SURFACE FINISH: ± 0.2
 TOLERANCES:
 LINEAR: ± 0.5
 ANGULAR: ± 0.5

FINISH:
 HOT DIP GALVANISED

DEBUR AND
 BREAK SHARP
 EDGES

DO NOT SCALE DRAWING

ISSUE

B

CROPLANDS
 A NUFARM LIMITED COMPANY

TITLE:
QUANTUM LINKAGE
 CLAMP QM TOWER TO FM LINKAGE

	NAME	SIGNATURE	DATE	REVISION
DRAWN	RPJ		16/02/2015	
CHK'D	RPJ		07/07/2023	
APP'VD				
MFG				

Q.A **APPROVED**
 COPYRIGHT PROPRIETOR
 THIS DRAWING IS THE PROPERTY OF CROPLANDS EQUIPMENT
 PTY. LTD.
 REPRODUCTION OF THIS DRAWING (OR PART THEREOF) OR
 COMMUNICATION OF ITS CONTENTS IS PROHIBITED WITHOUT
 THE CONSENT OR AUTHORITY OF CROPLANDS EQUIPMENT PTY.
 LTD.

MATERIAL:
 MILD STEEL

DWG NO.
 HP-275-3

A4

WEIGHT (Kg): 1.84

SCALE: 1:5

SHEET 1 OF 1