

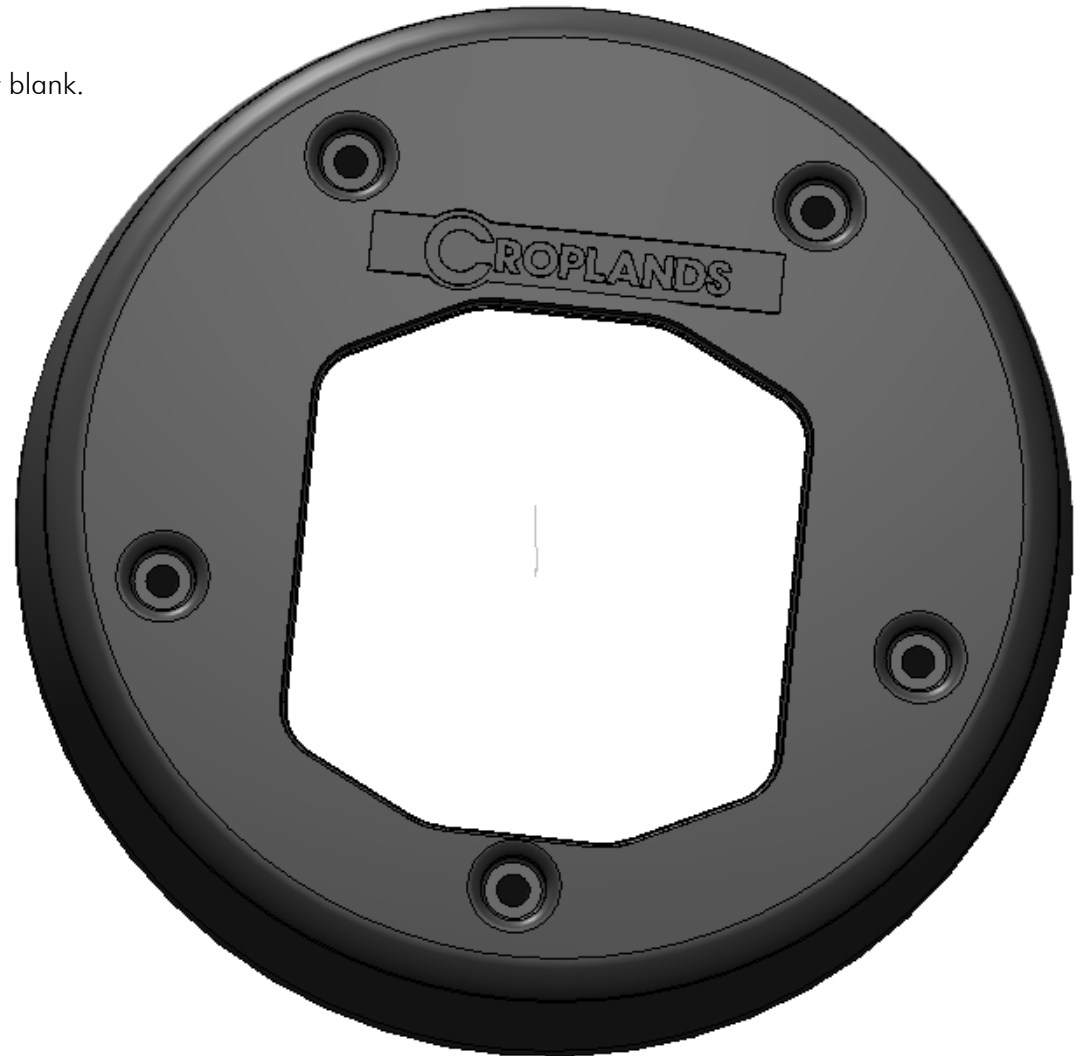
## HP-319-15R

### REAR COVER FOR QM-420 DRIVE BODY

Glass Fibre Reinforced Polypropylene, UV stabilised. Black.

Attach to HP-319-9 Drive Body via 4 pcs, M4 x 50 SS Screws. One hole is left blank.

A Rear Cover can be made from punching out the danger warning in the Front Cover, HP-319-15



#### NOTE

Drawings are for illustration purposes only - refer to sprayer for actual plumbing. Parts lists are indicative of the sprayer type.

*Items in italics* or without a part number are non stocked items and may need to be specially ordered.

For further parts information refer to [www.croplands.com.au](http://www.croplands.com.au)