

HP-274A-2H-1

BOOM ARM EXTENSION QM SMART SPRAYER

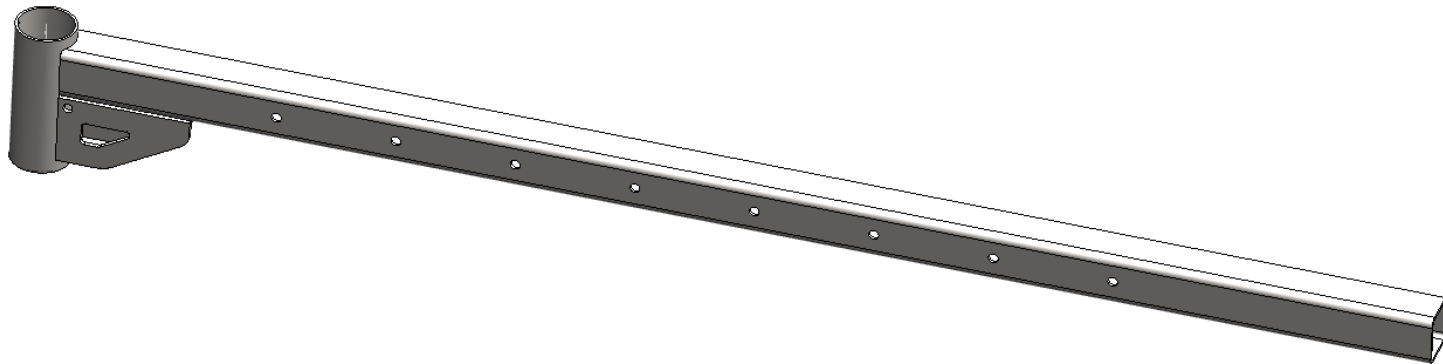
Issue B changed from galvanised to zinc plated

Used in conjunction with HP-274A-2H, 2HA, 3H or 3HA Main Boom Arms.

Must always engage 2 holes / maximum of 6 holes exposed.

When assembled requires 2 x HP-318-02 bushes.

Weight = 14.33 Kg



NOTE

Drawings are for illustration purposes only - refer to sprayer for actual plumbing. Parts lists are indicative of the sprayer type.

Items in italics or without a part number are non stocked items and may need to be specially ordered.

For further parts information refer to www.croplands.com.au