

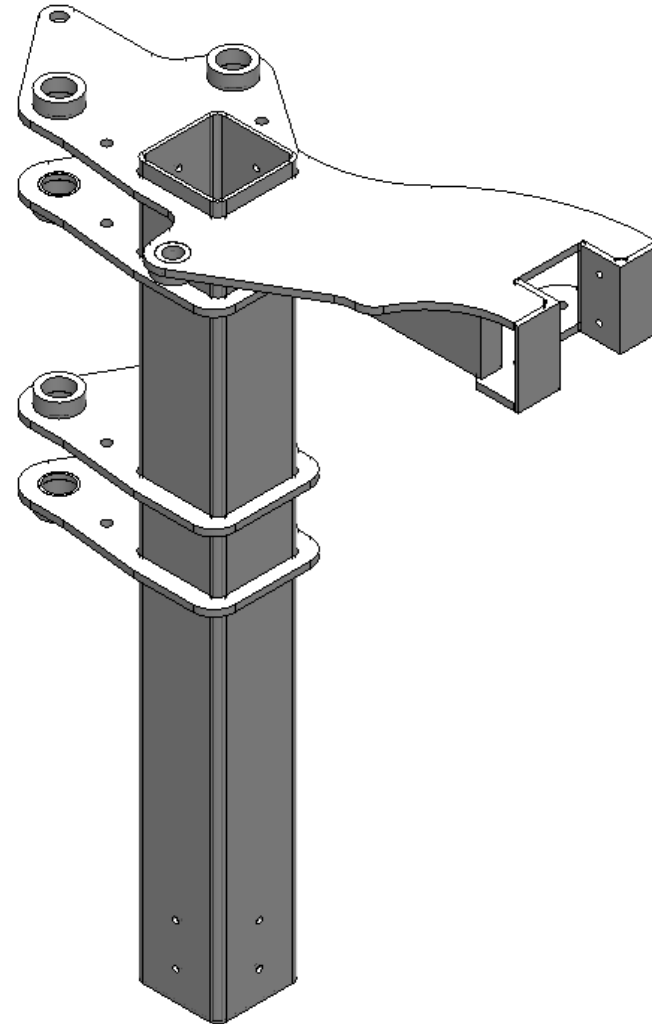
HP-274F-3R

BOOM SLIDE RH TERRACING SMART SPRAY

Used on the standard Smart Spray Terracing Tower. See HP-274F-3L for LH side.

Galvanised steel.

Weight = tba



NOTE

Drawings are for illustration purposes only - refer to sprayer for actual plumbing. Parts lists are indicative of the sprayer type.

Items in italics or without a part number are non stocked items and may need to be specially ordered.

For further parts information refer to www.croplands.com.au