

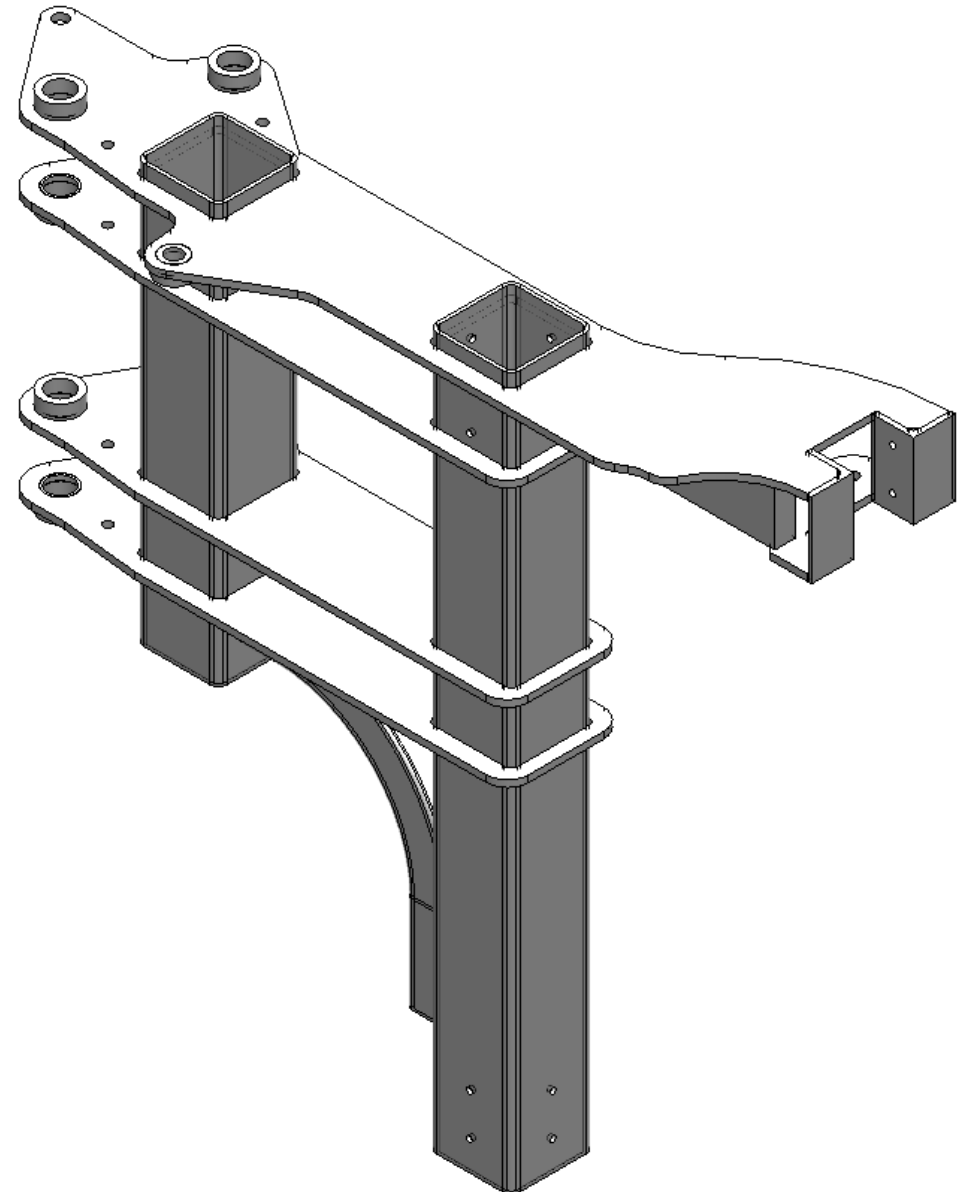
## HP-274G-3R

### BOOM SLIDE RH WIDE TERRACING SMART SPRAY

Used on the Wide Smart Spray Terracing Tower. See HP-274G-3L for LH side.

Galvanised steel.

Weight = 44.3 kg



#### NOTE

Drawings are for illustration purposes only - refer to sprayer for actual plumbing. Parts lists are indicative of the sprayer type.

*Items in italics* or without a part number are non stocked items and may need to be specially ordered.

For further parts information refer to [www.croplands.com.au](http://www.croplands.com.au)