

## HP-318-01

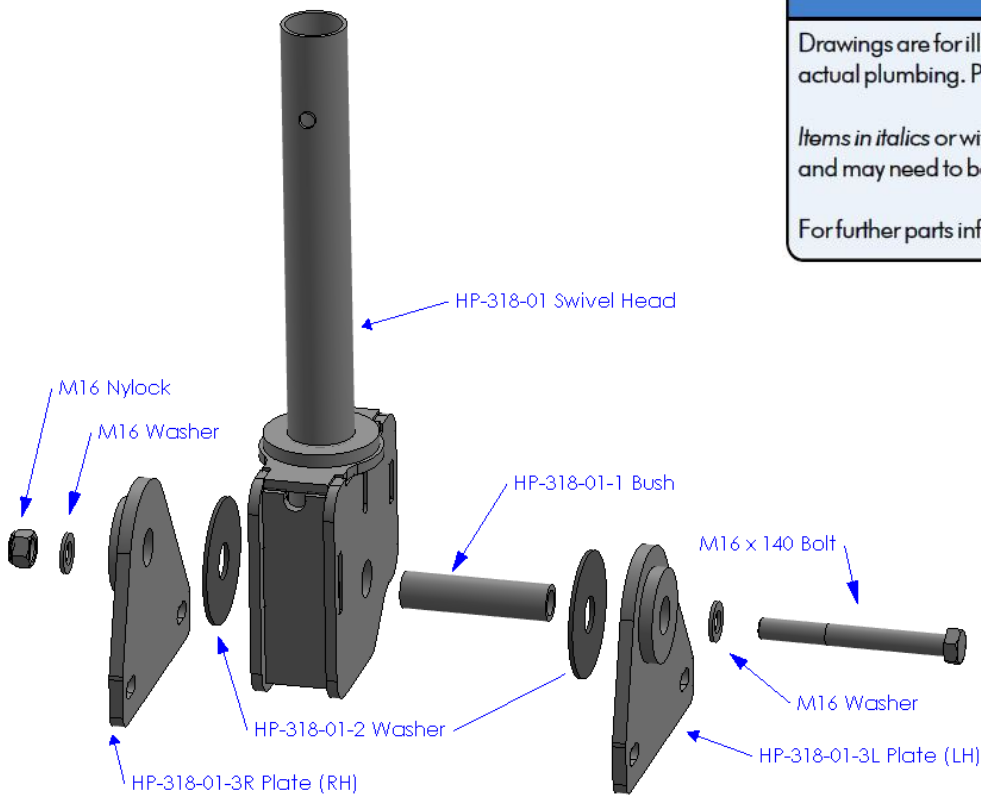
### SWIVEL HEAD SMART SPRAY

As a part of the Boom to Fan Frame assembly.

Zinc plated (original production was galvanised).

Also see KH-5115 "Swivel Assy Smart Sprayer QM-420".

Weight = 6.1 kg



### NOTE

Drawings are for illustration purposes only - refer to sprayer for actual plumbing. Parts lists are indicative of the sprayer type.

*Items in italics* or without a part number are non stocked items and may need to be specially ordered.

For further parts information refer to [www.croplands.com.au](http://www.croplands.com.au)

