

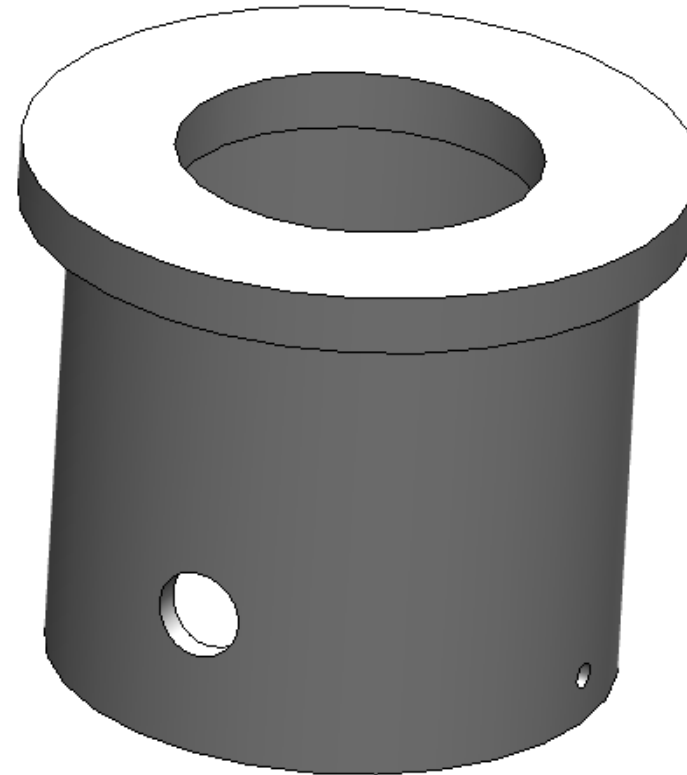
HP-318-03-1

COLLAR TWIN HANGERS

Galvanised – some red powder coat versions exist.

Bolt / screw holes are nominal 12mm & 3.5mm.

Requires HP-318-02 Bush & 2 x 3.5mm screws for installation.



NOTE

Drawings are for illustration purposes only - refer to sprayer for actual plumbing. Parts lists are indicative of the sprayer type.

Items in italics or without a part number are non stocked items and may need to be specially ordered.

For further parts information refer to www.croplands.com.au