

## HP-318-03LA

### FAN - FAN – RECAP TWIN HANGER LH

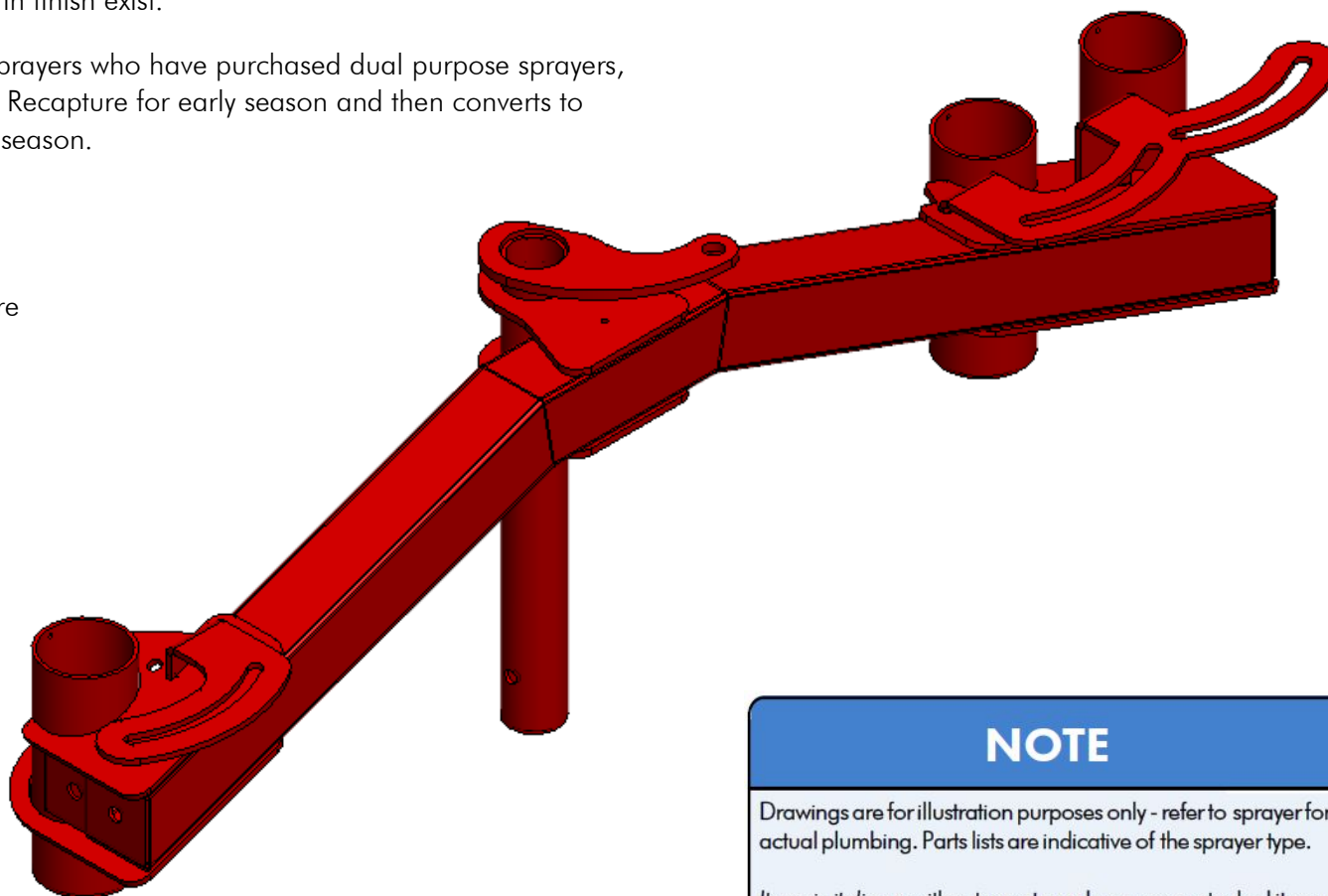
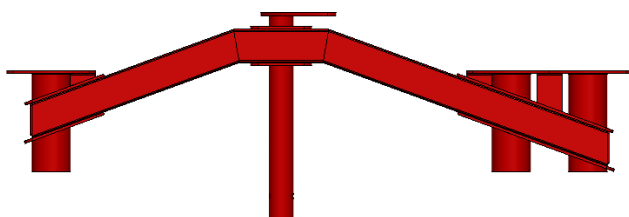
Also see HP-318-03RA for right hand. Some variations in finish exist.

This “Hanger” is dual purpose for operators of Smart Sprayers who have purchased dual purpose sprayers, A 2 row Sprayer with (on the boom) one fan frame plus Recapture for early season and then converts to a 3 row Sprayer with dual fan frames for the rest of the season.

Best choice if using 3 fans per frame.

The alternative is to use HP-318-03L for 3 row,  
and then change to HP-318-04L for 2 row inc Recapture

Weight = 15.7 kg



#### NOTE

Drawings are for illustration purposes only - refer to sprayer for actual plumbing. Parts lists are indicative of the sprayer type.

*Items in italics* or without a part number are non stocked items and may need to be specially ordered.

For further parts information refer to [www.croplands.com.au](http://www.croplands.com.au)