

## HP-318-08-2

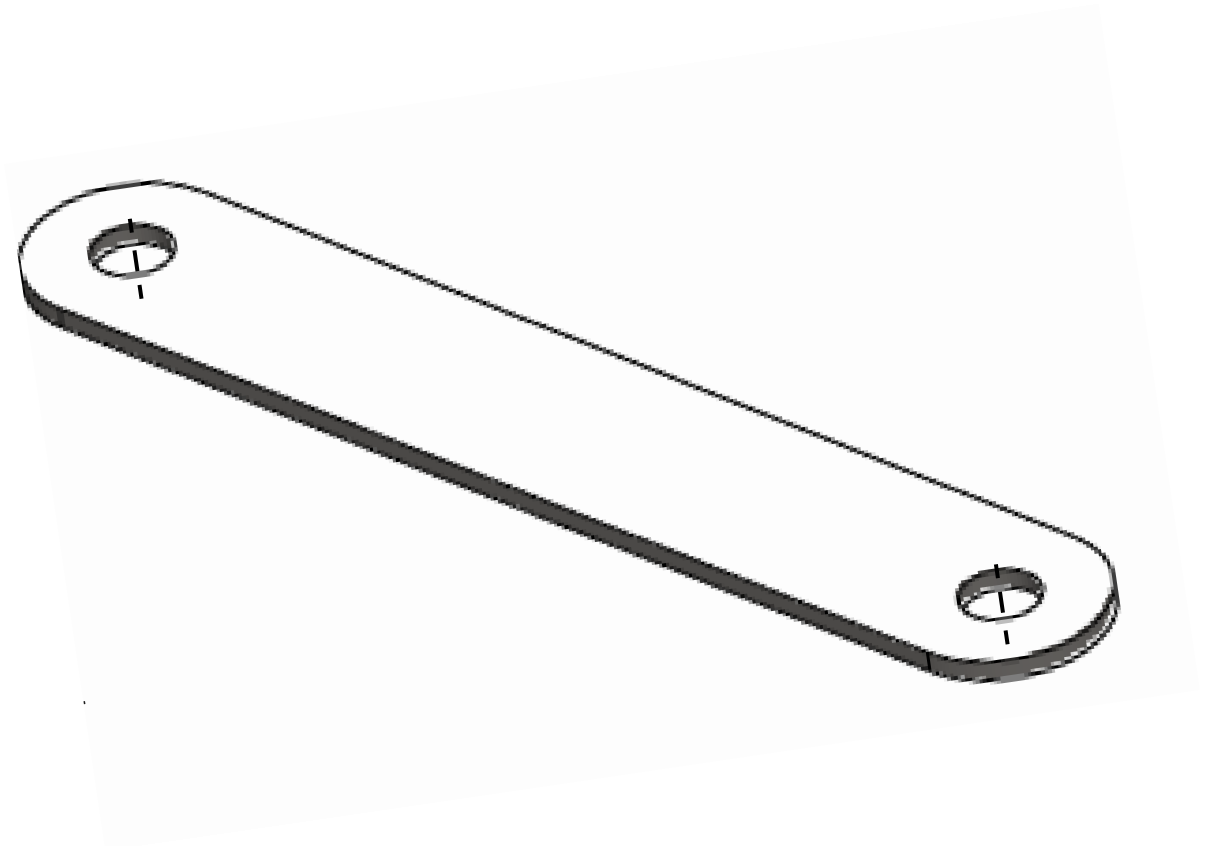
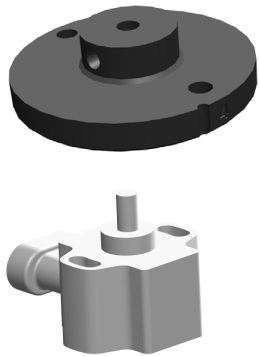
### POSITION SENSOR LINK ARM

1.6mm Stainless Steel, 18 grams.

Where possible use non magnetic hardware for installation.

Also see HP-318-08 Sensor and HP-318-08-1 Sensor Disk

See Tech Support for electrical / installation information.



#### NOTE

Drawings are for illustration purposes only - refer to sprayer for actual plumbing. Parts lists are indicative of the sprayer type.

*Items in italics* or without a part number are non stocked items and may need to be specially ordered.

For further parts information refer to [www.croplands.com.au](http://www.croplands.com.au)