

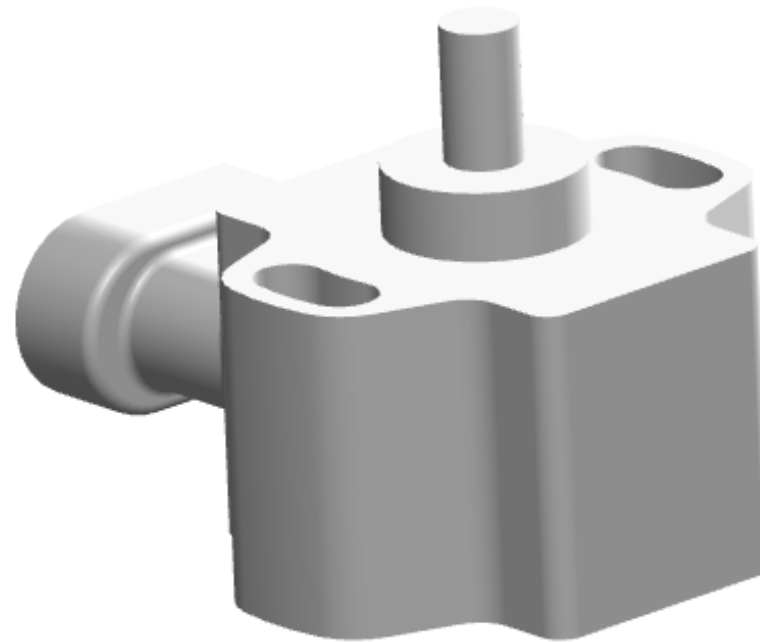
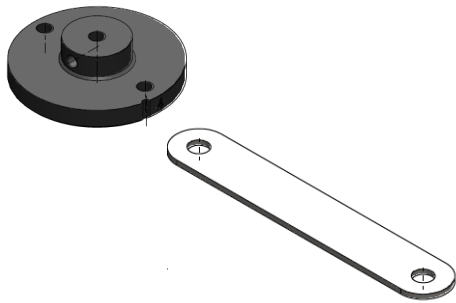
HP-318-08

POSITION SENSOR

Where possible use non magnetic hardware for installation.

Also see HP-318-08-1 Disk and HP-318-08-2 Link Arm.

See Tech Support for electrical / installation information.



NOTE

Drawings are for illustration purposes only - refer to sprayer for actual plumbing. Parts lists are indicative of the sprayer type.

Items in italics or without a part number are non stocked items and may need to be specially ordered.

For further parts information refer to www.croplands.com.au