

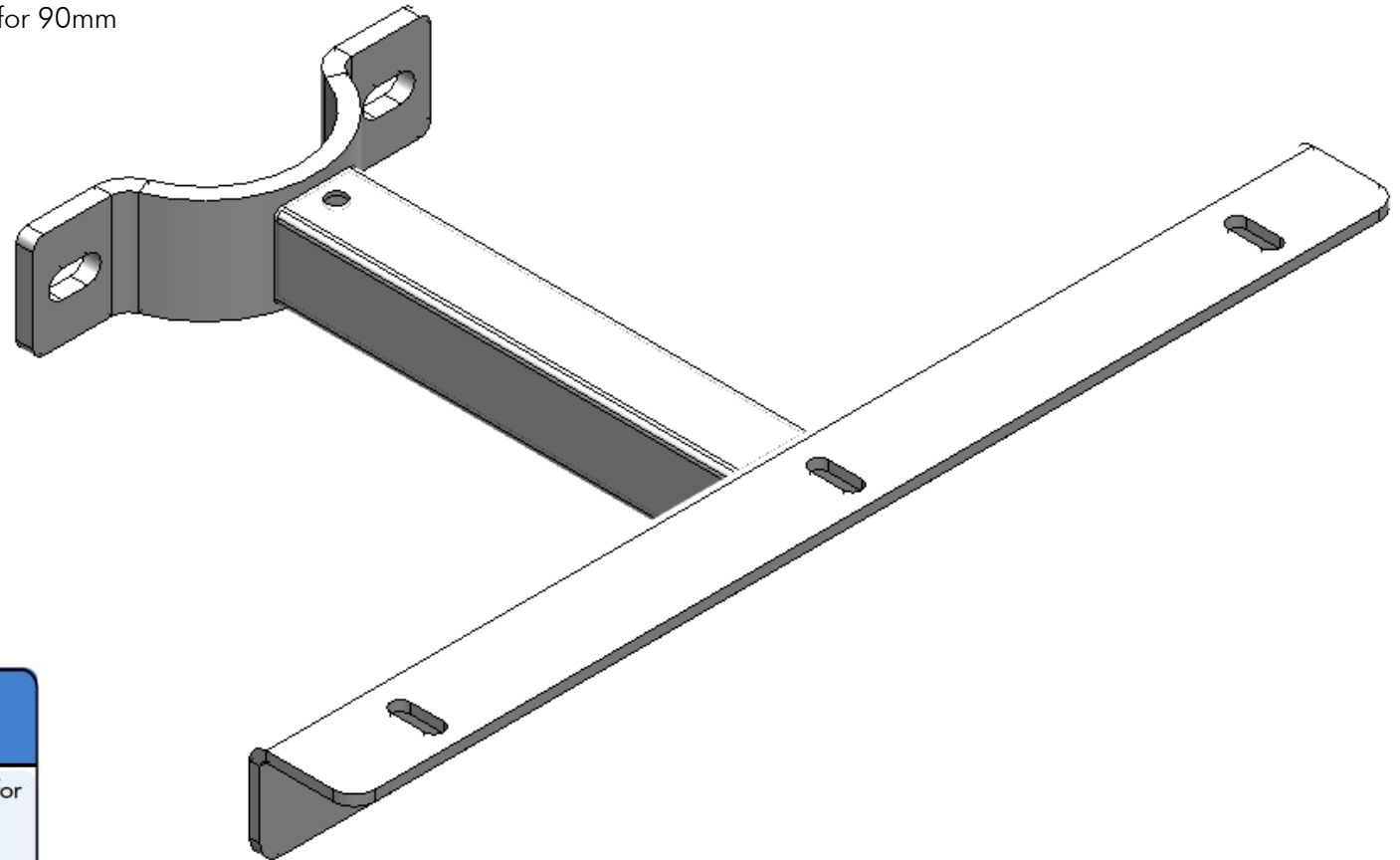
HP-325-07-2

RECAPTURE FRAME UPPER MOUNT 2000/3000

Also required HP-274A-14G saddle clamp half for 90mm

Galvanised steel.

Weight = 2.96 kg.



NOTE

Drawings are for illustration purposes only - refer to sprayer for actual plumbing. Parts lists are indicative of the sprayer type.

Items in italics or without a part number are non stocked items and may need to be specially ordered.

For further parts information refer to www.croplands.com.au