

## HP-325-07-4L

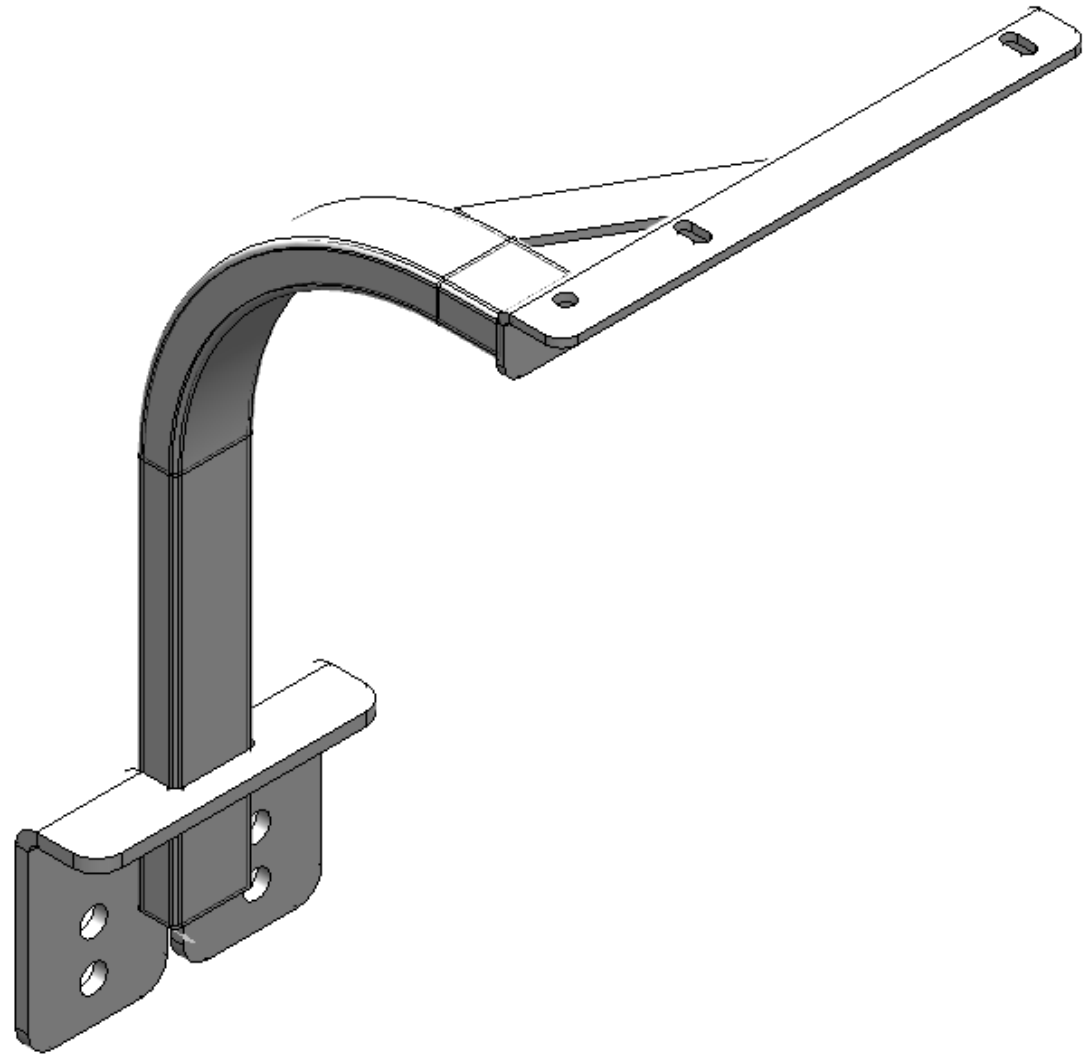
### RECAPTURE FRAME FRONT MOUNT LH 2000/3000

For the Right Hand side use HP-325-07-4R

4000Lt sprayer requires HP-325-07-4LA (4RA for right side)

Hot-dip galvanised.

Weight = 3.83 Kg



#### NOTE

Drawings are for illustration purposes only - refer to sprayer for actual plumbing. Parts lists are indicative of the sprayer type.

*Items in italics* or without a part number are non stocked items and may need to be specially ordered.

For further parts information refer to [www.croplands.com.au](http://www.croplands.com.au)