

## HP-325-09-1L

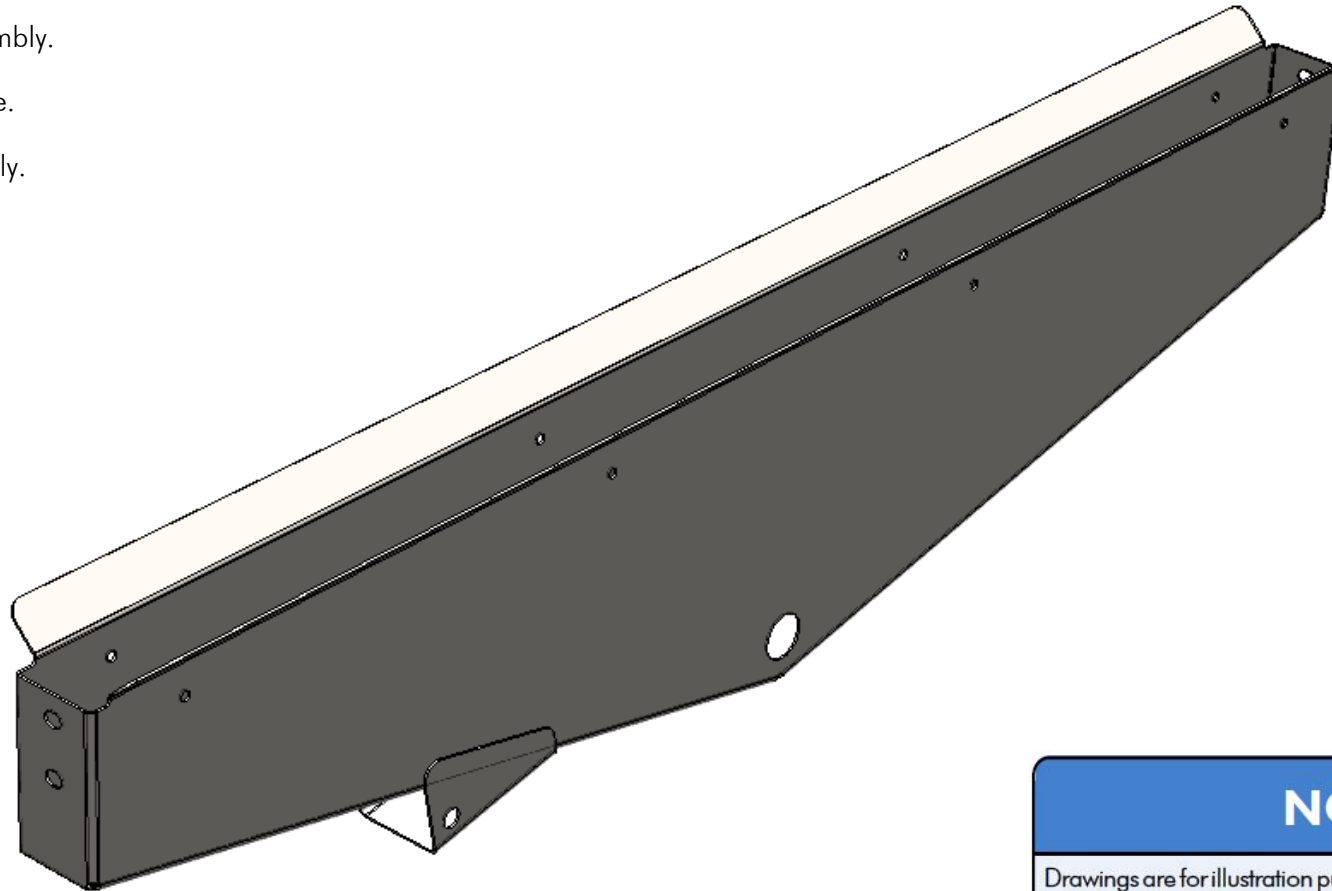
### RECAPTURE TROUGH OUTER LH (BOOM)

Fabricated stainless steel assembly.

Use HP-325-09-1R for RH side.

See KH-5117L & R for assembly.

Weight = 6.4 Kg



#### NOTE

Drawings are for illustration purposes only - refer to sprayer for actual plumbing. Parts lists are indicative of the sprayer type.

*Items in italics* or without a part number are non stocked items and may need to be specially ordered.

For further parts information refer to [www.croplands.com.au](http://www.croplands.com.au)