

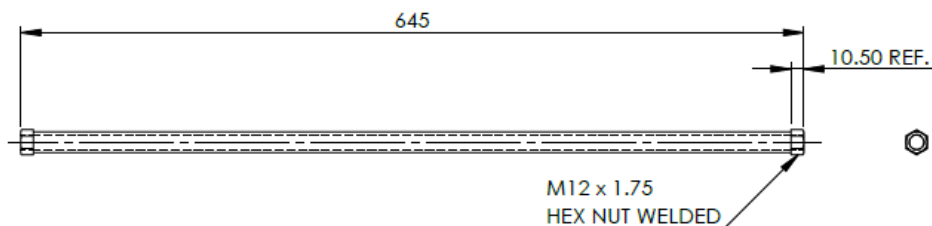
# HP-325-11

## RECAP – FAN LINK ROD ASSY

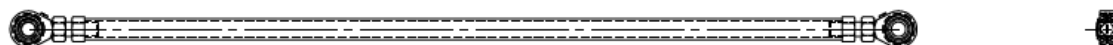
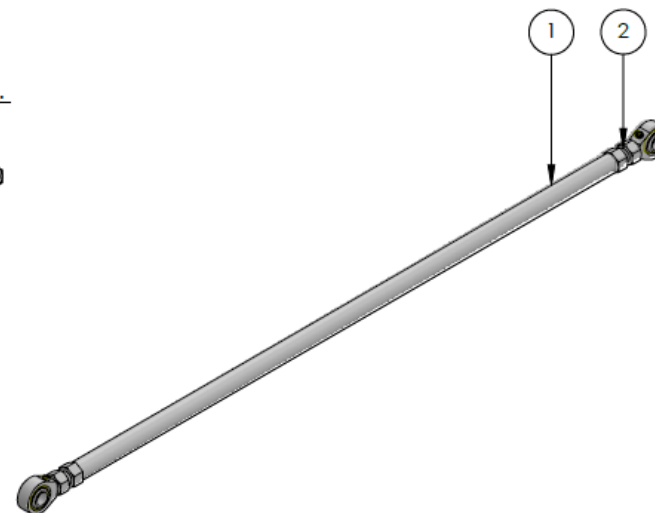
Stainless steel rod ends, galvanised tube.

Note, use the HP-325-11 **A** for the “triple” hanger, (HP-318-03LA or RA) Assy.

ITEM NO.	PART NUMBER	DESCRIPTION	QTY.
1	HP-325-11	RECAP-FAN LINK ROD	1
2	12MM TIE ROD	TIE ROD	2



- 1 ROD**  
 MATERIAL : 10NB MEDIUM PIPE  
 M12 HEX NUT  
 QTY. : 1  
 PART No. : HP-325-11



### NOTE

Drawings are for illustration purposes only - refer to sprayer for actual plumbing. Parts lists are indicative of the sprayer type.

*Items in italics* or without a part number are non stocked items and may need to be specially ordered.

For further parts information refer to [www.croplands.com.au](http://www.croplands.com.au)