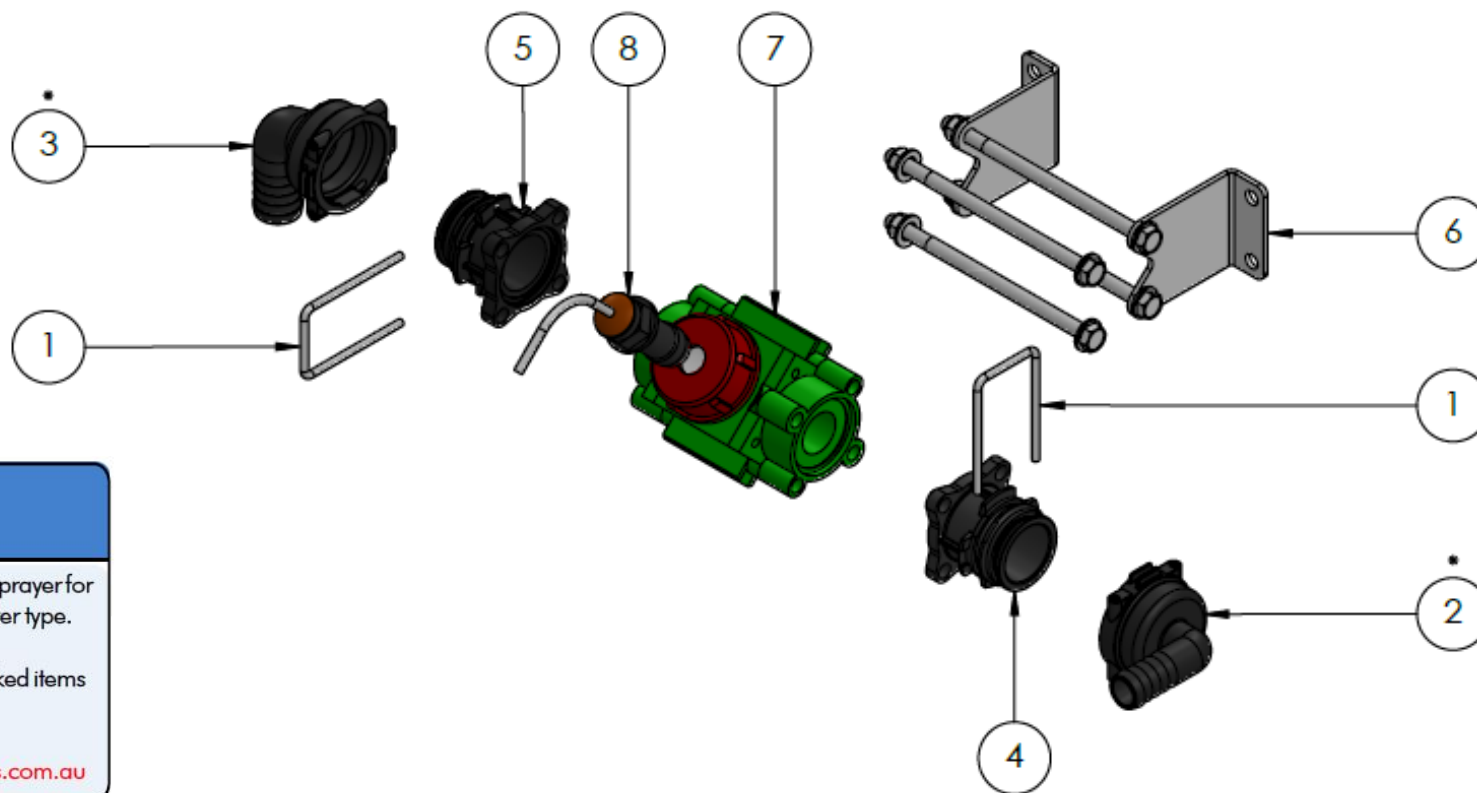


# KH-5100

## FUSION FLOW METER MANIFOLD T5M

ITEM NO.	PART NUMBER	DESCRIPTION	QTY.
1	A010005	INLET FORK	2
2	A1190520	ELBOW T5F D.20	1
3	A1190525	ELBOW T5F D.25	1
4	A463000.056	ADAPTER M TYPE FOR VALVE SERIES 463 T5M	1
5	A463000.156	ADAPTOR T5M FOR VALVES 463 SERIES	1
6	A463000.920	MOUNTING KIT 2 VALVE	1
7	POL00375908A	FLOW METER R/CHECK ZAFF ARAGFL	1
8	POL413003AL.AK	FLOW METER R/CHECK ZAFF ARAGFL	1



### NOTE

Drawings are for illustration purposes only - refer to sprayer for actual plumbing. Parts lists are indicative of the sprayer type.

*Items in italics* or without a part number are non stocked items and may need to be specially ordered.

For further parts information refer to [www.croplands.com.au](http://www.croplands.com.au)