

2" Polypropylene Hydraulic Centrifugal Pump

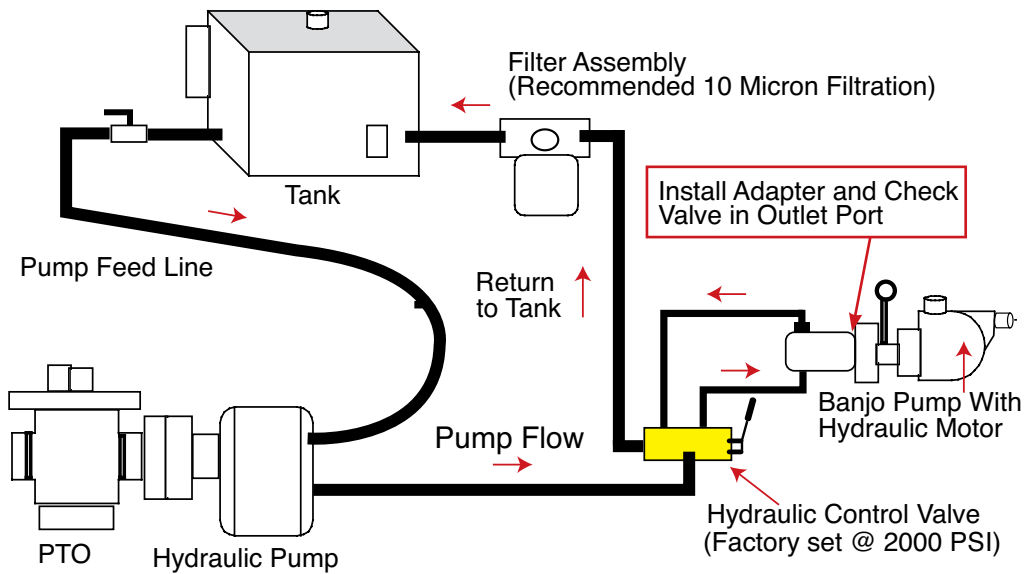


GRESEN® MGG2 HYDRAULIC MOTOR

- Hydraulic fluid capacity
Minimum 6 Gallons / Maximum 10 Gallons.
- 12 H.P. Motor.
- Open or closed system.
- 3600 R.P.M.

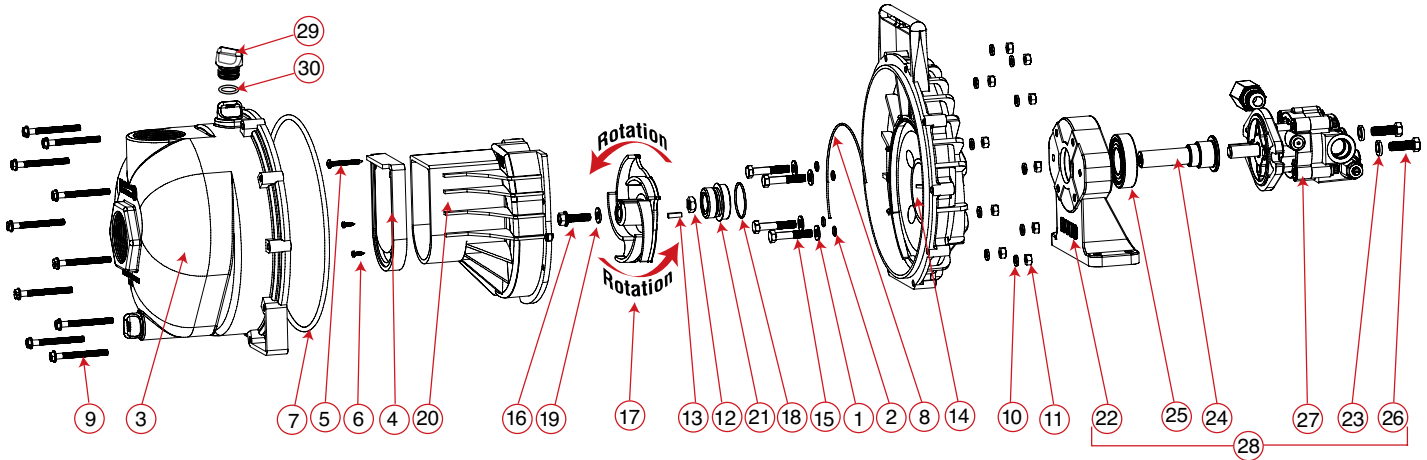


SPOOL VALVE ASSEMBLY DIAGRAM



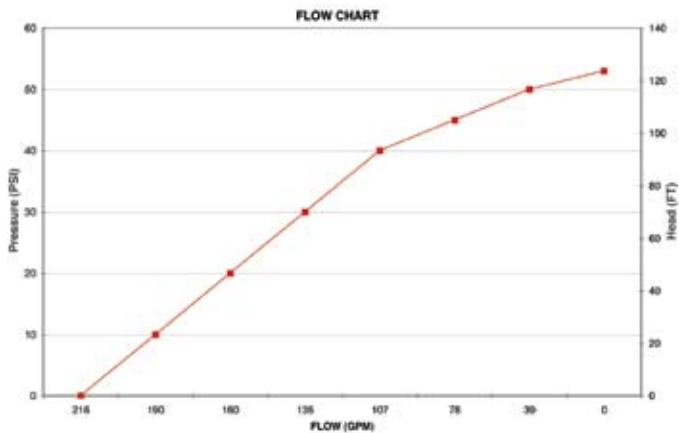
Recommendation:
We recommend using the motor spool control valve or a suitable equivalent. The lack of such a valve in this circuit may cause failure to the hydraulic motor.

PUMPS



HYDRAULIC MOTOR DATA	
U.S. Gallons/Rev.	0.0025
Cubic Inches/Rev.	0.580
Liters/Rev.	0.0097
Max Hydraulic Pressure	2000 PSI
Min Hydraulic Pressure	200 PSI
Inlet Port	SAE 10 (7/8-14 UNF-2B)
Outlet Port	SAE 10 (7/8-14 UNF-2B)
Minimum GPM Required	6 GPM 2400 RPM
Maximum GPM Required	10 GPM 4000 RPM
Ideal GPM Required	9 GPM 3600 RPM
CONNECTION INFORMATION	
Inlet	"A" Port
Outlet	"B" Port
Supplied check valve is to ensure proper rotation of the Banjo pump. Place check valve in outlet port (marked "B") for proper right hand rotation.	
SPOOL VALVE INFORMATION	
Required Outlet Flow	Min 6 GPM / Max 10 GPM
Required System Pressure	Min 600 PSI / Max 3000 PSI

REPLACEMENT PARTS 2" POLY PUMPS W/ HYDRAULIC ADAPTER				
ITEM	PART NO	DESCRIPTION	QTY	PRICE
1	12901	SS Rear Bracket Washer	4	##
2	12717	O-Ring for Screw Heads	4	##
2	12717V	FKM (viton type) O-Ring for Screw Heads	4	##
3	12712A	Body Assembly	1	##
4	12705	Check Valve	1	##
4	12705V	FKM (viton type) Poly Pump Check Valve	1	##
5	12900	SS Upper Volute Screw	4	##
6	12725	SS Volute Screws	2	##
7	12719A	Body O-Ring	1	##
8	12754	O-Ring Segment	1	##
8	12754V	FKM (viton type) O-Ring Segment	1	##
9	12720	SS Body Screws	10	##
10	V07018	SS Lock Washers	10	##
11	V07019	SS Body Nuts	10	##
12	12775A	Impeller Hex Nut	1	##
13	12902A	Impeller Key	1	##
14	12703A	Poly Pump Rear Bracket	1	##
15	12715A	5/16"-24 x 1.75" HHCS	4	##
16	12765A	SS Impeller Bolt	1	##
17	12772	5 Vane Impeller	1	##
18	12710	O-Ring for Seal Assembly	1	##
18	12710V	FKM (viton type) O-Ring for Seal Assembly	1	##
19	12774VA	Impeller Bolt Gasket	1	##
20	12702A	Poly Pump Volute	1	##
21	12713	Mechanical Seal Assembly	1	##
22	12049B	Hydraulic Pedestal Housing	1	##
23	V20018	3/8" Lock Washer	2	##
24	12055B	Adapter Shaft	1	##
25	17056	Bearing	1	##
26	18010SS	3/8"-16 x 1.25" HHCS	2	##
27	HY1013	Hydraulic Motor	1	##
28	12600B	Complete Hydraulic Assembly	1	##
29	12777	Drain Plug	2	##
30	UV15163	O-Ring for Plug	2	##



NOTE

SOME PARTS ARE NON-STOCK ITEMS AND MAY NEED TO BE ORDERED

NOTE

PLEASE ADD PREFIX **BJ** TO PART NUMBER TO REFLECT CROPLANDS PART NUMBER