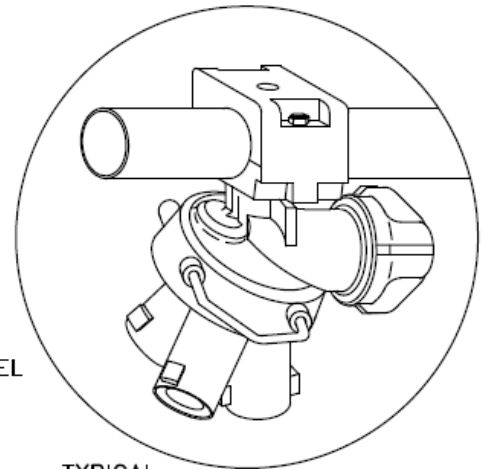


CROPLANDS PART NUMBERS: 24216-1/2-NYB -TEEJET 1/2" SPLIT EYELET TRIPLE NOZL BODY

UPPER CLAMP MOUNTING DETAIL		
BODY SIZE	BOLT DIAMETER	HEX SIZE (FLATS)
1/2, 3/4	1/4"	7/16"
1/2M, 20mm	M8	13mm

TO INSTALL NOZZLE
DRILL 3/8" (9.5 mm) DIA. HOLE
IN PIPE, DEBURR, THEN
INSERT SPLIT-EYELET INLET
AND CLAMP ASSEMBLY IN PLACE



TYPICAL APPLICATION

UPPER CLAMP ACCEPTS
HEX HEAD BOLT FOR
EASY MOUNTING
(NOT AVAILABLE ON
1-INCH VERSION)

SELF-TAPPING
STAINLESS STEEL
SCREW

MOLDED NYLON
(BLACK) UPPER CLAMP
FITS 1/2", 3/4" OR 1"
PIPE OR 20mm TUBING

BUNA-N O-RING

MOLDED NYLON
(BLACK) MAIN BODY
WITH LOWER CLAMP

No. 21950-10-NYB
CHEMSAVER END CAP
ASB. NYLON (BLACK)

QUICK TEEJET
3-OUTLET BODY
MOLDED ACETAL
(BLACK)

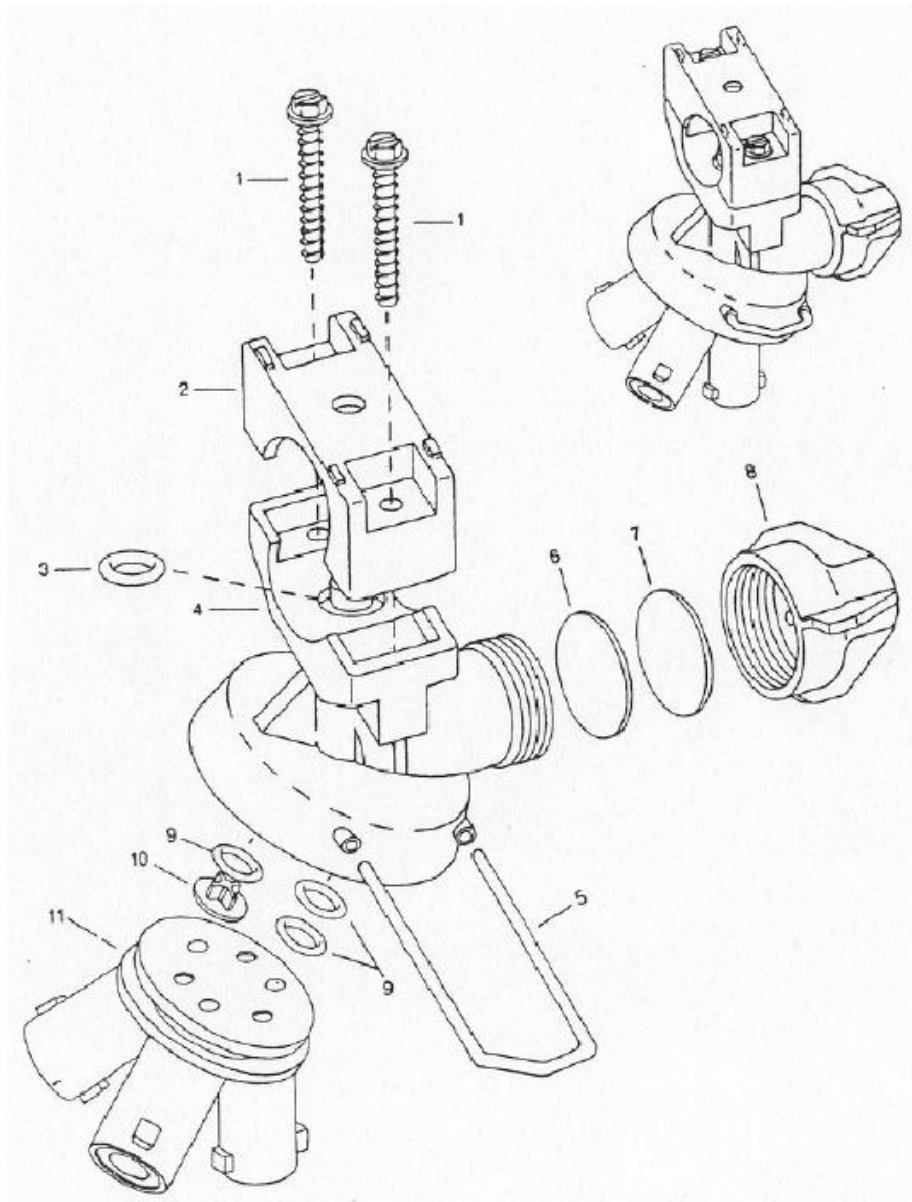
3 5/8"
(92 mm)

PIPE SIZE	"A" (APPROX)	"B" (APPROX)
1/2", 3/4" 20mm	1 11/16" (43 mm)	4 3/16" (106 mm)
1"	2 9/16" (65 mm)	4 11/32" (110 mm)

U.S. PATENT Nos. 4527745,
D280125, OTHER U.S. AND
FOREIGN PATENTS GRANTED
OR PENDING

OTHER FEATURES:

- QUICK HAND INDEXING WITH CHOICE OF THREE DIFFERENT SPRAY TIPS FOR EASIER CHANGING OF SPRAY PATTERNS OR APPLICATION RATES.
- DRIP-FREE POSITIVE SHUT-OFF.
- SHUT-OFF POSITION PROVIDED BETWEEN ANY TWO SPRAYING POSITIONS.
- FAST AND EASY WAY TO MOUNT SPRAY NOZZLES TO A BOOM.
- MADE OF CORROSION RESISTANT MATERIALS.
- MAXIMUM OPERATING PRESSURE - 150 PSI (10 bar).



ITEM	PART NO.	DESCRIPTION
1	CP20123-1 1/4-430SS	SCREW, TYPE 430 STAINLESS STEEL (2 REQ'D) FOR 24216A-1/2-NYB, 24216A-3/4-NYB & 24216A-20mm-NYB
	CP17674-1 3/8-430SS	SCREW, TYPE 430 STAINLESS STEEL (2 REQ'D) FOR 24216A-1-NYB
2	CP24226-NYB	1/2" UPPER CLAMP, NYLON (BLACK) FOR 24216A-1/2-NYB
	CP24222-NYB	3/4" UPPER CLAMP, NYLON (BLACK) FOR 24216A-3/4-NYB
	CP24226-1-NYB	1/2" UPPER CLAMP, NYLON (BLACK) FOR 24216A-1/2M-NYB
	CP24228-NYB	20mm UPPER CLAMP, NYLON (BLACK) FOR 24216A-20mm-NYB
	CP17553-PP	1" UPPER CLAMP, POLYPROPYLENE (BLACK) FOR 24216A-1-NYB
3	CP7717-2-110-BU	O-RING, BUNA-N
4	CP24225-NYB	MAIN BODY WITH LOWER CLAMP, NYLON (BLACK) FOR 24216A-1/2-NYB
	CP24220-NYB	MAIN BODY WITH LOWER CLAMP, NYLON (BLACK) FOR 24216A-3/4-NYB
	CP24227-NYB	MAIN BODY WITH LOWER CLAMP, NYLON (BLACK) FOR 24216A-1-NYB
	CP24225-1-NYB	MAIN BODY WITH LOWER CLAMP, NYLON (BLACK) FOR 24216A-20mm-NYB
5	CP24221-304SS	CLIP, TYPE 304 STAINLESS STEEL
6	* CP6227-TEF	DIAPHRAGM, TEFLON (OPTIONAL)
7	CP21953-EPR	DIAPHRAGM, ETHYLENE PROPYLENE RUBBER (EPDM)
8	21950-10-NYB	CHEMSAVER® END CAP ASSEMBLY, NYLON (BLACK)
9	CP7717-2-109-EPR	O-RING, ETHYLENE PROPYLENE RUBBER (EPDM) (3 REQ'D)
10	CP24224-CE	INDEXING BUTTON, CELCON (GRAY)
11	24217-1-CE	TRIPLE QT BODY, CELCON (BLACK)
No. 24216A-1/2-NYB QUICK TEEJET® TRIPLE NOZZLE		
No. 24216A-3/4-NYB QUICK TEEJET® TRIPLE NOZZLE		
No. 24216A-1-NYB QUICK TEEJET® TRIPLE NOZZLE		
No. 24216A-20mm-NYB QUICK TEEJET® TRIPLE NOZZLE		

* WHEN THE #CP6227-TEF TEFLON DIAPHRAGM IS USED, IT IS PLACED IN THE ASSEMBLY IN FRONT OF THE #21953-EPR RUBBER DIAPHRAGM.