

# 3" Polypropylene Hydraulic Centrifugal Pump Hydraulic Driven Self-Priming Poly Pump

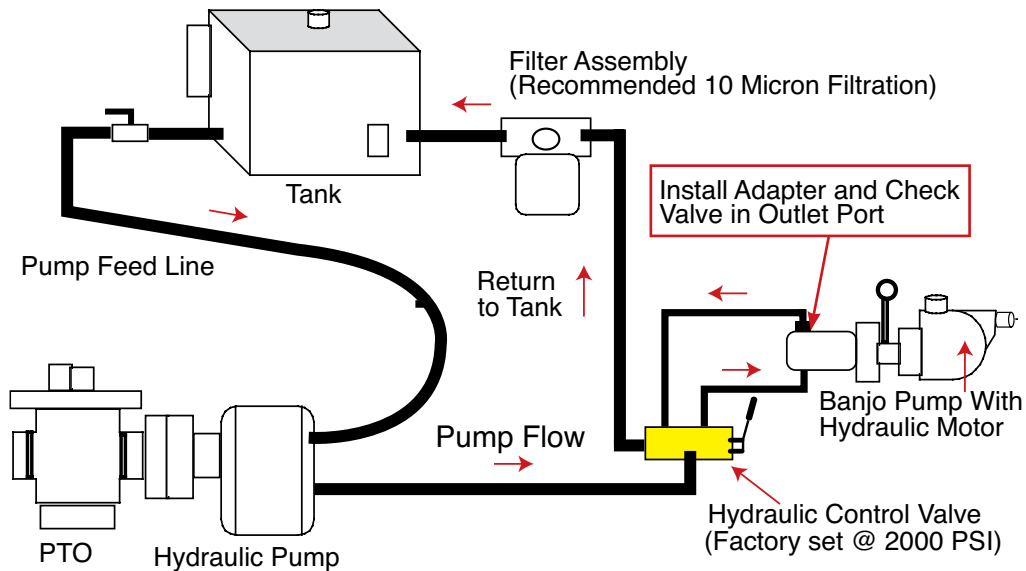


## HYDRAULIC MOTOR

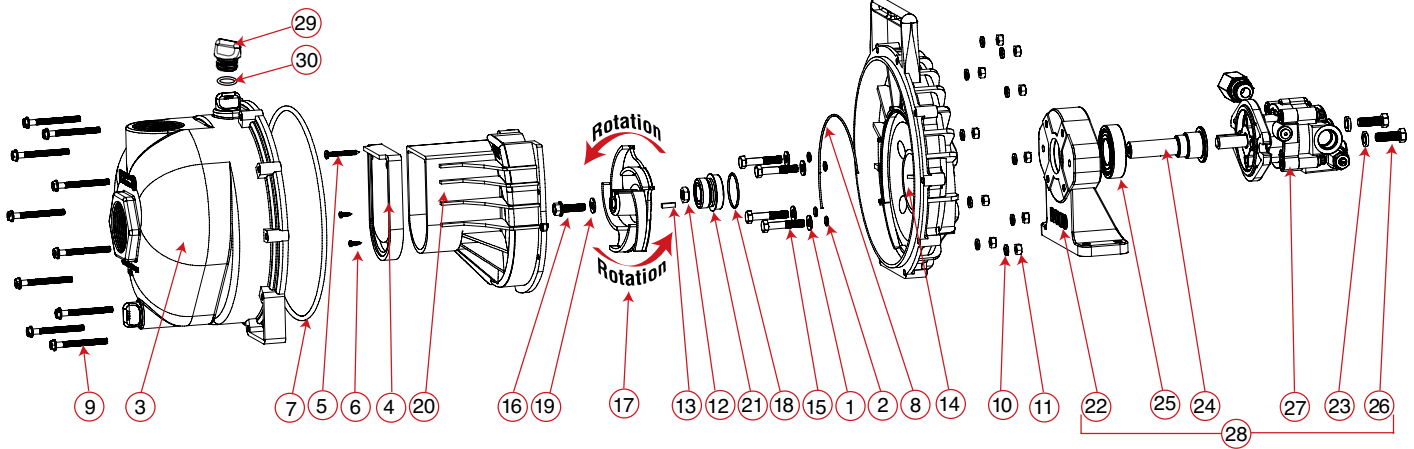
- Hydraulic fluid capacity  
Minimum 6 gallons / Maximum 10 gallons.
- 12 H.P. Motor.
- Open or closed system.
- 3600 RPM.



## SPOOL VALVE ASSEMBLY DIAGRAM

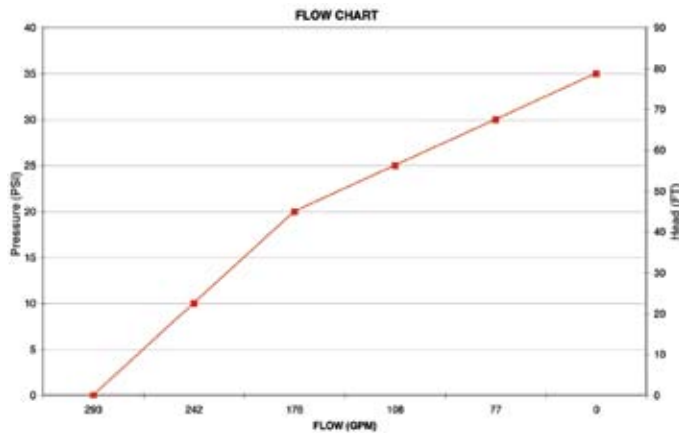


**Recommendation:**  
We recommend using the motor spool control valve or a suitable equivalent. The lack of such a valve in this circuit may cause failure to the hydraulic motor.



| HYDRAULIC MOTOR DATA   |                            |
|--|----------------------------|
| U.S. Gallons/Rev.  | 0.0025                     |
| Cubic Inches/Rev.  | 0.580                      |
| Liters/Rev.  | 0.0097                     |
| Max Hydraulic Pressure   | 2000 PSI                   |
| Min Hydraulic Pressure   | 200 PSI                    |
| Inlet Port   | SAE 10 (7/8-14 UNF-2B)     |
| Outlet Port  | SAE 10 (7/8-14 UNF-2B)     |
| Minimum GPM Required   | 6 GPM 2400 RPM             |
| Maximum GPM Required   | 10 GPM 4000 RPM            |
| Ideal GPM Required   | 9 GPM 3600 RPM             |
| CONNECTION INFORMATION   |                            |
| Inlet  | "A" Port                   |
| Outlet   | "B" Port                   |
| Supplied check valve is to ensure proper rotation of the Banjo pump. Place check valve in outlet port (marked "B") for proper right hand rotation. |                            |
| SPOOL VALVE INFORMATION  |                            |
| Required Outlet Flow   | Min 6 GPM / Max 10 GPM     |
| Required System Pressure   | Min 600 PSI / Max 3000 PSI |

| REPLACEMENT PARTS 3" POLY PUMPS W/ HYDRAULIC ADAPTER |         |   |     |        |
|--|---------|---|-----|--------|
| ITEM   | PART NO | DESCRIPTION                               | QTY | PRICE  |
| 1  | 12901   | SS Rear Bracket Washer                    | 4   | \$\$\$ |
| 2  | 12717   | O-Ring for Screw Heads                    | 4   | \$\$\$ |
| 2  | 12717V  | FKM (viton type) O-Ring for Screw Heads   | 4   | \$\$\$ |
| 3  | 13712   | Body Assembly                             | 1   | \$\$\$ |
| 4  | 12705   | Check Valve                               | 1   | \$\$\$ |
| 4  | 12705V  | FKM (viton type) Pump Check Valve         | 1   | \$\$\$ |
| 5  | 12900   | SS Upper Volute Screw                     | 4   | \$\$\$ |
| 6  | 12725   | SS Volute Screws                          | 2   | \$\$\$ |
| 7  | 12719A  | Body O-Ring                               | 1   | \$\$\$ |
| 8  | 12754   | O-Ring Segment                            | 1   | \$\$\$ |
| 8  | 12754V  | FKM (viton type) O-Ring Segment           | 1   | \$\$\$ |
| 9  | 12720   | SS Body Screws                            | 10  | \$\$\$ |
| 10   | V07018  | SS Lock Washers                           | 10  | \$\$\$ |
| 11   | V07019  | SS Body Nuts                              | 10  | \$\$\$ |
| 12   | 12775A  | Impeller Hex Nut                          | 1   | \$\$\$ |
| 13   | 12902A  | Impeller Key                              | 1   | \$\$\$ |
| 14   | 12703A  | Poly Pump Rear Bracket                    | 1   | \$\$\$ |
| 15   | 12715A  | 5/16"-24 x 1.75" HHCS                     | 4   | \$\$\$ |
| 16   | 12765A  | SS Impeller Bolt                          | 1   | \$\$\$ |
| 17   | 13771   | 4 Vane Impeller                           | 1   | \$\$\$ |
| 18   | 12710   | O-Ring for Seal Assembly                  | 1   | \$\$\$ |
| 18   | 12710V  | FKM (viton type) O-Ring for Seal Assembly | 1   | \$\$\$ |
| 19   | 12774VA | Impeller Bolt Gasket                      | 1   | \$\$\$ |
| 20   | 13702   | Poly Pump Volute                          | 1   | \$\$\$ |
| 21   | 12713   | Mechanical Seal Assembly                  | 1   | \$\$\$ |
| 22   | 12049B  | Hydraulic Pedestal Housing                | 1   | \$\$\$ |
| 23   | V20018  | 3/8" Lock Washer                          | 2   | \$\$\$ |
| 24   | 12055B  | Adapter Shaft                             | 1   | \$\$\$ |
| 25   | 17056   | Bearing                                   | 1   | \$\$\$ |
| 26   | 18010SS | 3/8"-16 x 1.25" HHCS                      | 2   | \$\$\$ |
| 27   | HY1013  | Hydraulic Motor                           | 1   | \$\$\$ |
| 28   | 12600B  | Complete Hydraulic Assembly               | 1   | \$\$\$ |
| 29   | 13777   | Drain Plug                                | 2   | \$\$\$ |
| 30   | 13778   | O-Ring for Drain Plug                     | 2   | \$\$\$ |



### NOTE

SOME PARTS ARE NON-STOCK ITEMS AND MAY NEED TO BE ORDERED

### NOTE

PLEASE ADD PREFIX **BJ** TO PART NUMBER TO REFLECT CROPLANDS PART NUMBER