

Application Controls

ISO Product Control

Kits, ISO Product Control

Note: ISO systems have been tested and approved for use with GS2 2600 and 2630.

***An ISOBUS hitch cable and product control cables are needed to complete these kits.**

****An ISOBUS hitch cable is needed to complete these kits.**

Kit, ISO single product, liquid/granular to 16 pin product cable*	1-117-6100-001	\$1,610.00
Kit, ISO single product, liquid/granular to 37 pin product cable*	1-117-6100-002	\$1,670.00
Kit, ISO single product, liquid/granular to 22 pin cable*	1-117-6100-003	\$1,750.00
Kit, ISO AccuFlow HP, 3 section**	1-117-6300-001	\$1,955.00
Kit, ISO AccuFlow HP, 6 section**	1-117-6300-002	\$2,090.00

Kits, Raven ISOBUS Switch Box

Kit, Raven ISOBUS Switchbox, 6 Section Switches, to Raven ISOBUS VT Touchscreen	1-117-6020-001	\$510.00
Kit, Raven ISOBUS Switchbox, 6 Section Switches to John Deere GS3	1-117-6020-002	\$615.00

ISOBUS Hitch Cables

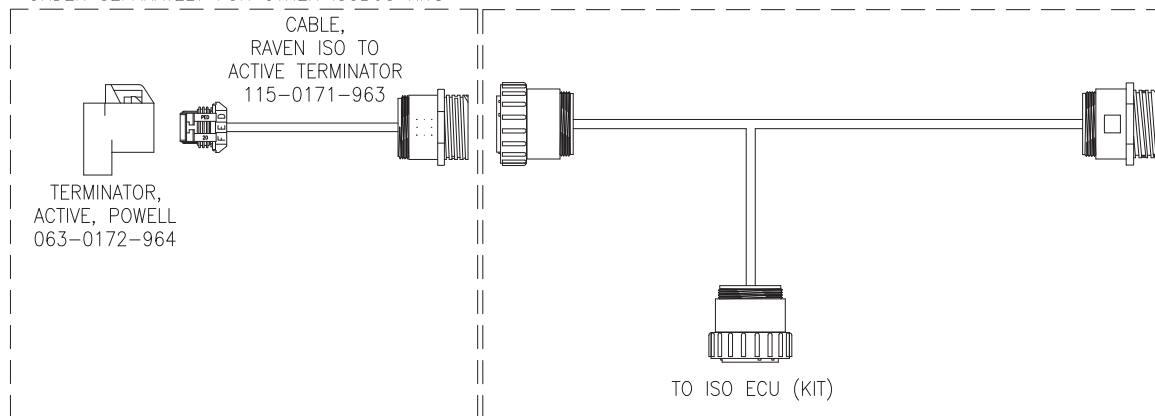
Cable, ISOBUS hitch to Raven ECU, 12'	1-115-0171-974	\$394.00
Cable, ISOBUS hitch to Raven ISO ECU, 14'	1-115-0171-988	\$350.00
Cable, ISOBUS hitch to Raven ISO ECU, 22'	1-115-0171-989	\$472.00
Cable, ISOBUS hitch to Raven ECU, 36'	1-115-0171-975	\$510.00
Cable, ISOBUS hitch to Raven ISO ECU, 45'	1-115-0171-990	\$550.00
Cable ISOBUS hitch to Raven ECU, 17'	1-115-0172-034	\$412.00

Components, ISO Product Control

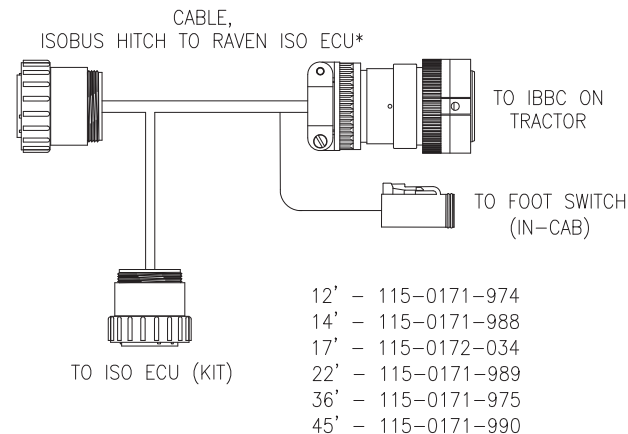
Manual, ISOBUS Product Control	1-016-0171-362	\$26.00
Cable, Raven ISO/Power w/IBBC Connector	1-115-7300-021	\$665.00
Terminator, Powell ISO	1-063-0172-964	\$111.00
Node, ISOBUS Product Controller ECU	1-063-0173-006	\$1,270.00
Foot Switch, ISO Product Controller	1-063-0173-080	\$150.00
Cable Adapter, ISO Powell terminator	1-115-0171-963	\$78.00
Cable, switch cab, 8'	1-115-0171-865	\$142.00
Cable, ISO tee extension, 12"	1-115-0171-960	\$316.00
Cable, ISO tee extension, 6'	1-115-0171-961	\$349.00
Cable, ISO tee extension, 12'	1-115-0171-931	\$403.00
Cable, ISO tee extension, 24'	1-115-0171-932	\$478.00
Cable, ISO tee extension, 36'	1-115-0171-933	\$555.00
Cable, ECU adapter, ISO Deere	1-115-0171-958	\$444.00
Cable, ISO/CAN AccuFlow HP, 3 section	1-115-0171-946	\$665.00
Cable, ISO/CAN AccuFlow HP, 6 section	1-115-0171-947	\$850.00
Cable Adapter, 37 pin to 22 pin	1-115-0171-864	\$219.00
Cable, product control, main ISO node, 37 pin	1-115-0171-945	\$488.00
Cable, product control, main ISO node, 16 pin	1-115-0171-949	\$394.00
Cable ext 20' Proximity Sensor	1-115-0171-501	\$97.00
Kit Proximity Sensor & Bracket Mag Mnt	1-117-0171-298	\$133.00
Cable ISO tee extension 17'	1-115-0172-035	\$429.00
Cable Adapter, GEN I Cabling to GEN II Components (30 amp max)	1-115-0172-052	\$275.00
Cable, Single Product Node to 37 Pin Product Cable (GEN II)	1-115-0172-053	\$485.00
Kit, USB to CAN Update	1-117-0171-464	\$565.00
Cable, ISO John Deere Extension, 6'	1-115-0172-093	\$187.00
Cable, ISO John Deere Extension, 12'	1-115-0172-094	\$214.00
Cable, ISO John Deere Extension, 24'	1-115-0172-095	\$256.00

RAVEN ISOBUS CABLING

INCLUDED IN ISOBUS PRODUCT CONTROLLER KITS, ORDER SEPARATELY FOR OTHER ISOBUS KITS



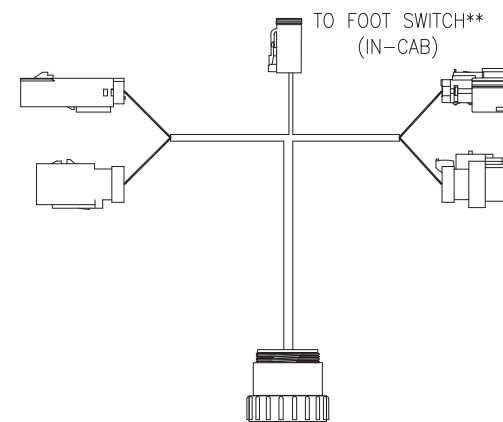
ORDER SEPARATELY



CABLE, ISO IMPLEMENT EXTENSION TEE
 12" - 115-0171-960
 6' - 115-0171-961
 12' - 115-0171-931
 17' - 115-0172-035
 24' - 115-0171-932
 36' - 115-0171-933

NOTE:

* FOR SYSTEMS ALREADY EQUIPPED WITH JOHN DEERE ISO ECU'S, USE ADAPTER CABLE P/N 115-0171-958

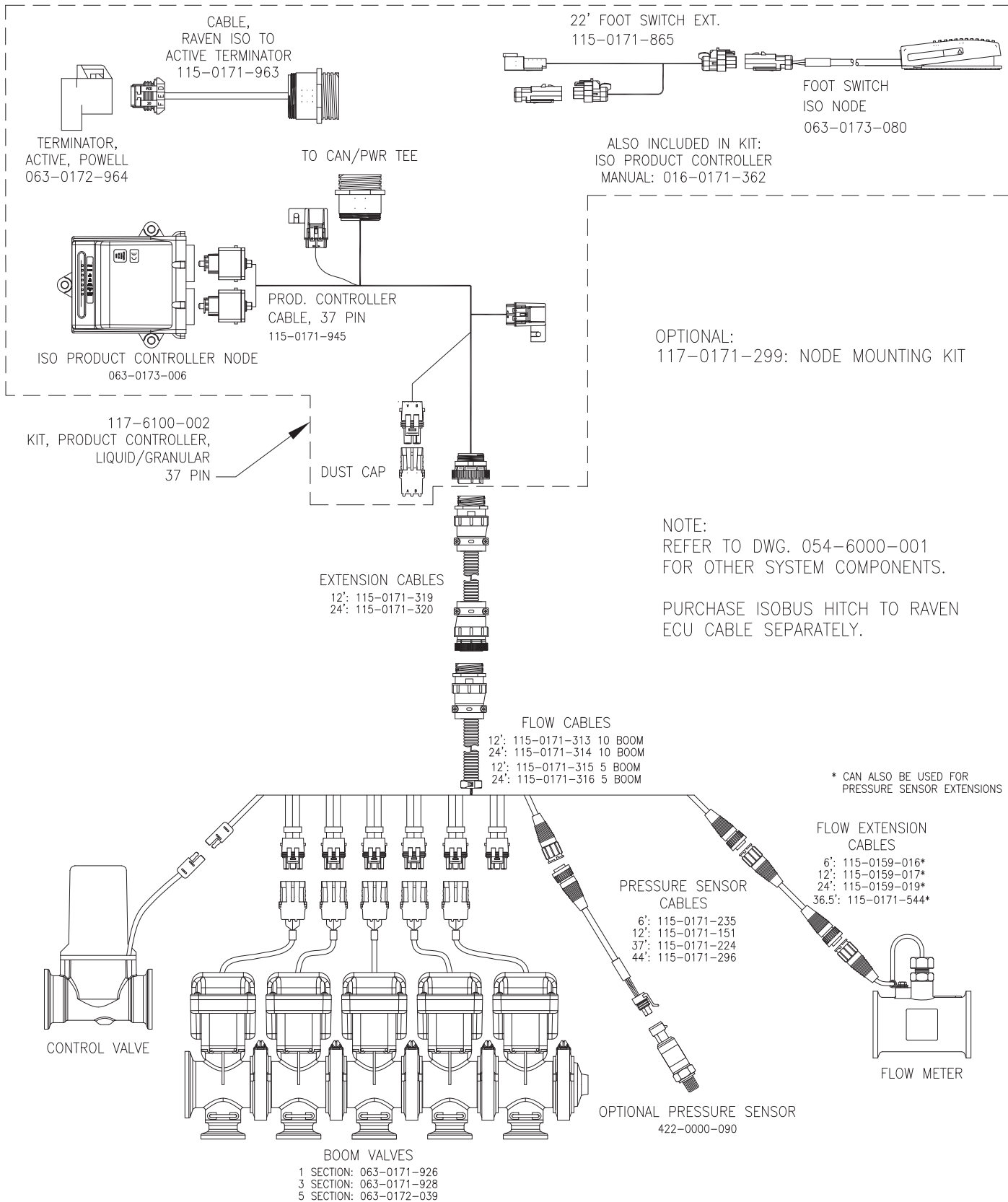


**USE 10' FOOT SWITCH EXT CABLE(S): 115-0171-810

- 1) PLANTER KIT - SEE 4XXX FAMILY
- 2) SPRAYER/SPREADER KIT - SEE 6100 FAMILY
- 3) NH3 TOOLBAR KIT - SEE 6300 FAMILY

RELEASED DATE	ECO NO.	PROD. MGR.	SERV. MGR.	PROD. CHAMP.	ENG.	DRAFT.	REV.	DRAWING NO.
10/18/10	E16352	JAB	AT	TLH	DLF	MAP	A	054-6000-001
5/10/12	E18877	JAB	AT	CAF	CRS	JJP	B	054-6000-001

ISO PRODUCT CONTROLLER LIQUID SYSTEM 37 PIN PRODUCT CABLE



RELEASED DATE	ECO NO.	PROD. MGR.	SERV. MGR.	PROD. CHAMP.	ENG.	DRAFT.	REV.	DRAWING NO.
10/18/10	E16352	JAB	AT	TLH	DLF	MAP	A	054-6100-002