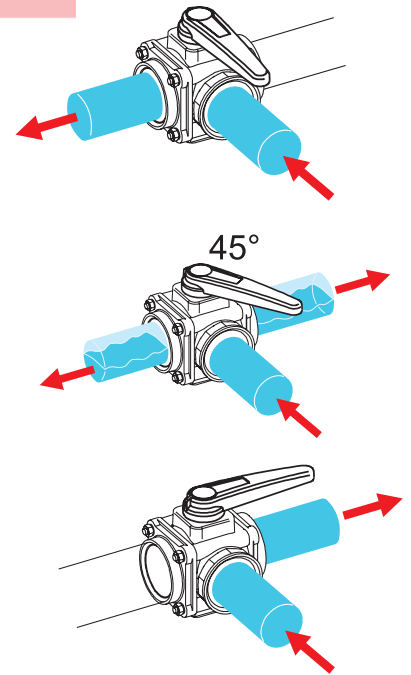
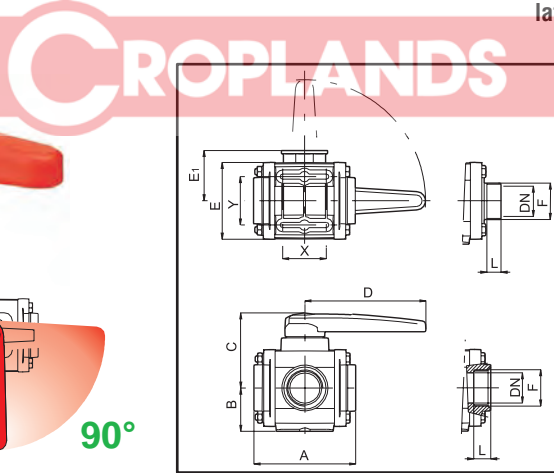
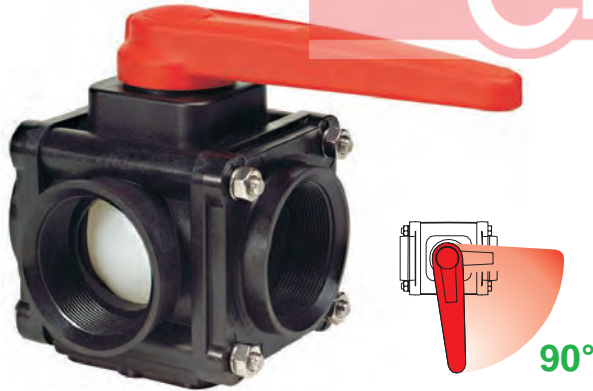




Valvola a sfera con tiranti, attacco laterale
- 3 vie

3 ways bolted valve, side connection

Valvula de bola con tirantes con conexion
lateral - 3 vias

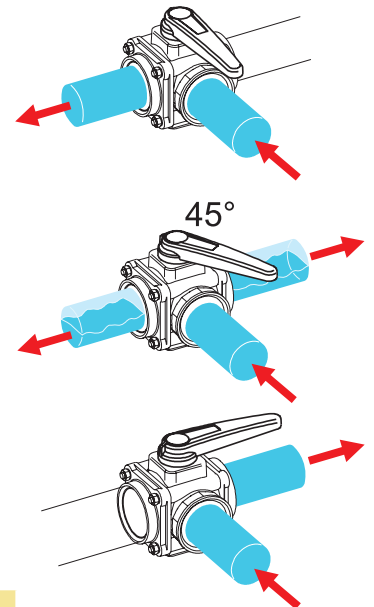
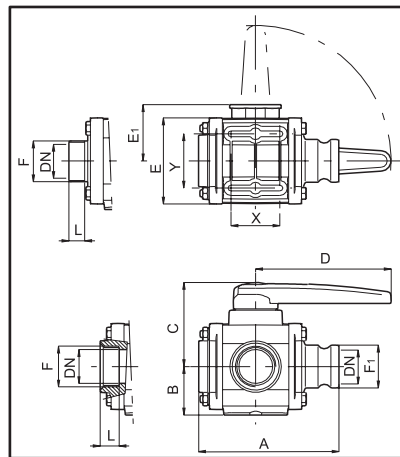


PP BALL		INOX BALL AISI 316		Pressure		DN	F	L	A	B	C	D	E	E1	X	Y
COD. / CODE / Cód.		COD. / CODE / Cód.		bar	PSI	mm	BSP	mm	mm	mm	mm	mm	mm	mm	mm	mm
45301 4A44	45321 4A44	16	230	25	1" F	23	101	42	79	100	75	52	33	38		
45301 4A55	45321 4A55			32	1" 1/4 F	25	105	42	79	100	75	58	33	38		
45301 5A66	45321 5A66	10	150	40	1" 1/2 F	25	128	52	94	130	91	63	40	49		
45301 6A77	45321 6A77			50	2" F	28	150	61	110	150	109	73	57	60		
45301 7A88	45321 7A88	8	120	65	2" 1/2 F	33	168	71	125	200	127	88	72	80		
45301 7A99	45321 7A99			65	3" F	36	174	71	125	200	127	94	72	80		
45301 5E66	45321 5E66	10	150	40	1" 1/2 M	24	143	52	94	130	91	76	40	49		
45301 6E77	45321 6E77			50	2" M	27	174	61	110	150	109	85	57	60		
45301 7E88	45321 7E88	8	120	65	2" 1/2 M	32	206	71	125	200	127	90	72	80		
45301 7E99	45321 7E99			65	3" M	35	212	71	125	200	127	107	72	80		

Valvola a sfera con tiranti, attacco laterale con
adattatore - 3 vie

3 ways bolted valve, side connection with
adapter

Valvula de bola con tirantes, conexion lateral y
acople rapido - 3 vias



PP BALL		INOX BALL AISI 316		Pressure		DN	F	L	CAMLOCK	F1	A	B	C	D	E	E1	X	Y
COD. / CODE / Cód.		COD. / CODE / Cód.		bar	PSI	mm	BSP	mm		size	mm	mm	mm	mm	mm	mm	mm	mm
45301 5D66	45321 5D66	10	150	40	1" 1/2 F	25	*	1" 1/2	155	52	94	130	91	63	40	49		
45301 6D77	45321 6D77			50	2" F	28	*	2"	190	61	110	150	109	73	57	60		
45301 7D99	45321 7D99	8	120	65	3" F	36	*	3"	214	71	125	200	127	94	72	80		
45301 5H66	45321 5H66	10	150	40	1" 1/2 M	24	*	1" 1/2	167	52	94	130	91	76	40	49		
45301 6H77	45321 6H77			50	2" M	27	*	2"	201	61	110	150	109	85	57	60		
45301 7H99	45321 7H99	8	120	65	3" M	35	*	3"	252	71	125	200	127	107	72	80		

* pag. 198 * page 198 * pag. 198