

CROPLANDS PART NUMBER: A4621AA30000 – A463 ORION FLOW METER 5/100LT ELEC/MAG

ORION electro-magnetic flow meter



Advantages

- No mechanical moving parts inside the pipe
- Performances independent from fluid density and viscosity
- Low sensitivity to turbulence
- High precision
- Low maintenance

Characteristics

- Typical error: 0,5% full scale
- Working pressure: up to 40 bar
- Power supply: 11 to 15 Vdc
- 0-12 Vdc pulse output with frequency proportional to rate
- Max consumption: 300 mA
- Output only by flowing fluid
- Available with threaded or flanged fittings
- Threaded fittings in fiber glass reinforced Nylon (20 bar) or brass (40 bar)
- Parts in contact with fluid made of polypropylene and Stainless Steel 316

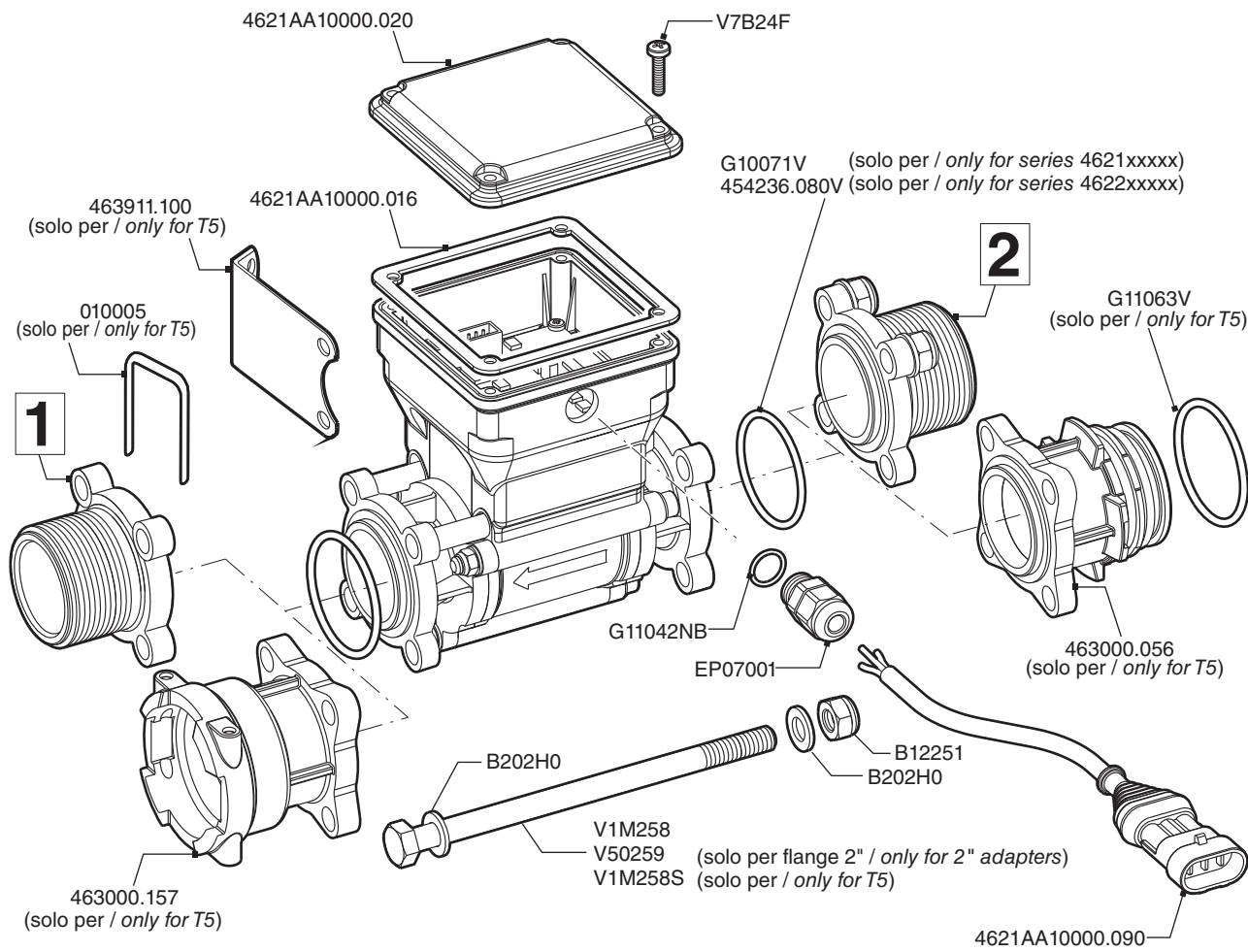


COD. CODE CÓD.					Passaggi Interni Internal passages Pasos Internos	Impulsi Pulses Pulsos	
	It/1'	US GPM	bar	PSI		pls/l	pls/GAL
4621AA30000	5÷100	1.3÷26	40	580	14	600	2271

NOTE
 SOME PARTS ARE NON-STOCK
 ITEMS AND MAY NEED TO BE
 ORDERED

NOTE
 PLEASE ADD PREFIX **A** TO
 PART NUMBER TO REFLECT
 CROPLANDS PART NUMBER

- CODE**
- 4621AA00000
 - 4621AA01313
 - 4621AA03333
 - 4621AA10000
 - 4621AA11313
 - 4621AA13333
 - 4621AA1A5B5
 - 4621AA20000
 - 4621AA21313
 - 4621AA23333
 - 4621AA2A5B5
 - 4621AA30000
 - 4621AA31414
 - 4621AA33434
 - 4621AA3A5B5
 - 4621AA40000
 - 4621AA41414
 - 4621AA41515
 - 4621AA43434
 - 4621AA4A5B5
 - 4622AA40000
 - 4622AA50000
 - 4622AA51515
 - 4622AA51616
 - 4622AA60000
 - 4622AA61616
 - 4622AA61717



COD. FLUSSOMETRO FLOW METER	COD. 1	COD. 2	ATTACCO COUPLING	MATERIALE MATERIAL
4621AA01313	463000.130	463000.030	G 3/4 M	Nylon
4621AA03333	463000H.130	463000H.030	G 3/4 M	Ottone/Brass
4621AA11313	463000.130	463000.030	G 3/4 M	Nylon
4621AA13333	463000H.130	463000H.030	G 3/4 M	Ottone/Brass
4621AA21313	463000.130	463000.030	G 3/4 M	Nylon
4621AA23333	463000H.130	463000H.030	G 3/4 M	Ottone/Brass
4621AA31414	463000.140	463000.040	G 1 M	Nylon
4621AA33434	463000H.140	463000H.040	G 1 M	Ottone/Brass
4621AA41414	463000.140	463000.040	G 1 M	Nylon
4621AA41515	463000.150	463000.050	G 1 1/4 M	Nylon
4621AA43434	463000H.140	463000H.040	G 1 M	Ottone/Brass
4622AA51515	473000.150	473000.050	G 1 1/4 M	Nylon
4622AA51616	473000.160	473000.060	G 1 1/2 M	Nylon
4622AA61616	473000.160	473000.060	G 1 1/2 M	Nylon
4622AA61717	473000.170	473000.070	G 2 M	Nylon