

## CROPLANDS PART NUMBER: A4622AA67717 - 2" ORION FLOW METER 30/600LT

### ORION electro-magnetic flow meter



#### Advantages

- No mechanical moving parts inside the pipe
- Performances independent from fluid density and viscosity
- Low sensitivity to turbulence
- High precision
- Low maintenance

#### Characteristics

- Typical error: 0,5% full scale
- Working pressure: up to 40 bar
- Power supply: 11 to 15 Vdc
- 0-12 Vdc pulse output with frequency proportional to rate
- Max consumption: 300 mA
- Output only by flowing fluid
- Available with threaded or flanged fittings
- Threaded fittings in fiber glass reinforced Nylon (20 bar) or brass (40 bar)
- Parts in contact with fluid made of polypropylene and Stainless Steel 316



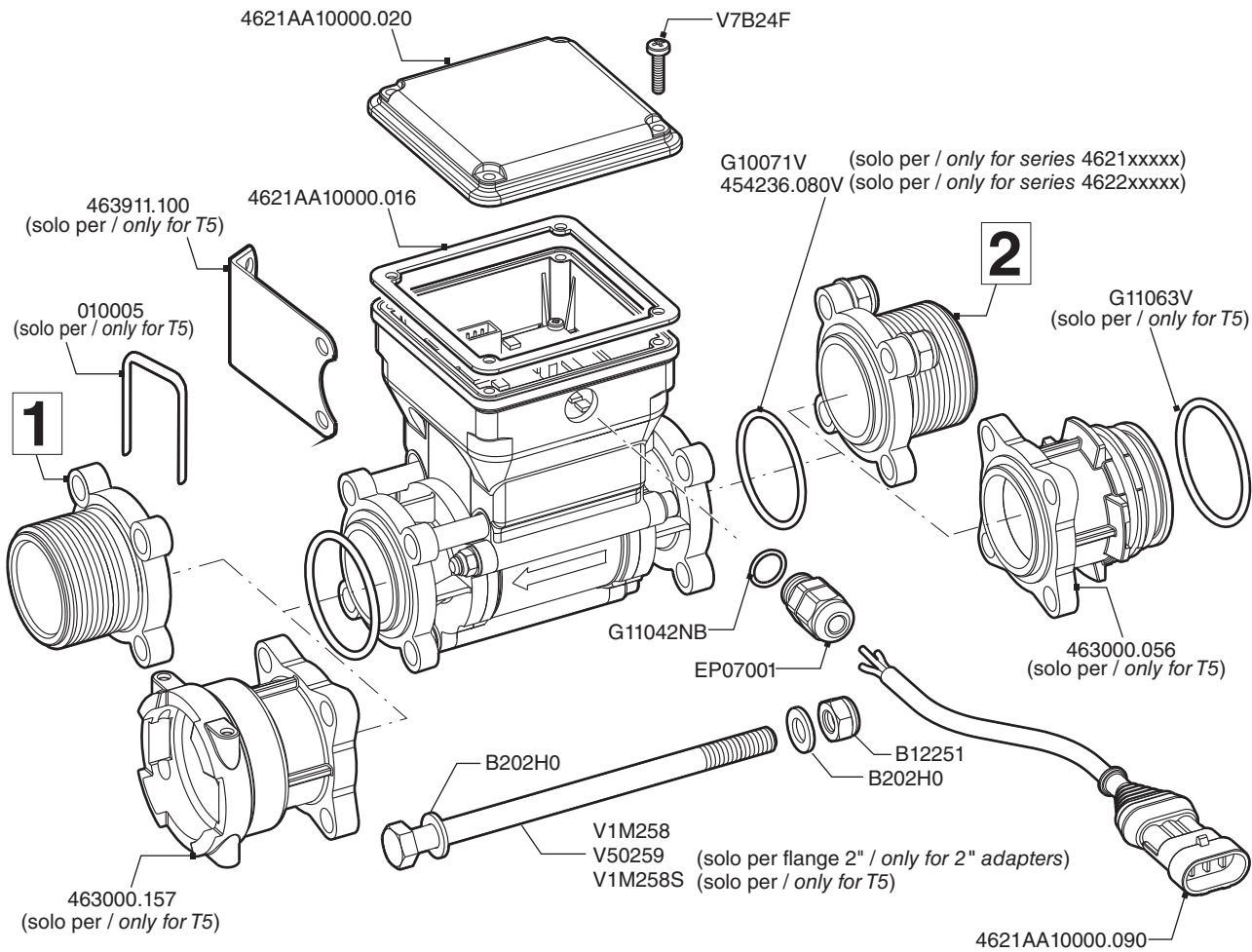
COD. CODE CÓD.	 <i>lit/1'</i>   <i>US GPM</i>		 <i>bar</i>   <i>PSI</i>		F <i>BSP</i>	Passaggi Interni Internal passages Pasos Internos	Impulsi Pulses Pulsos	
	<i>mm</i>	<i>pls/l</i>	<i>pls/GAL</i>					
<b>A4622AA67717</b>	30÷600	8÷158	20	290	G 2	28	100	378

**NOTE**  
 SOME PARTS ARE NON-STOCK  
 ITEMS AND MAY NEED TO BE  
 ORDERED

**NOTE**  
 PLEASE ADD PREFIX **A** TO  
 PART NUMBER TO REFLECT  
 CROPLANDS PART NUMBER

**CODE**

4621AA00000  
 4621AA01313  
 4621AA03333  
 4621AA10000  
 4621AA11313  
 4621AA13333  
 4621AA1A5B5  
 4621AA20000  
 4621AA21313  
 4621AA23333  
 4621AA2A5B5  
 4621AA30000  
 4621AA31414  
 4621AA33434  
 4621AA3A5B5  
 4621AA40000  
 4621AA41414  
 4621AA41515  
 4621AA43434  
 4621AA4A5B5  
 4622AA40000  
 4622AA50000  
 4622AA51515  
 4622AA51616  
 4622AA60000  
 4622AA61616  
 4622AA61717



COD. FLUSSOMETRO FLOW METER	COD. <b>1</b>	COD. <b>2</b>	ATTACCO COUPLING	MATERIALE MATERIAL
4621AA01313	463000.130	463000.030	G 3/4 M	Nylon
4621AA03333	463000H.130	463000H.030	G 3/4 M	Ottone/Brass
4621AA11313	463000.130	463000.030	G 3/4 M	Nylon
4621AA13333	463000H.130	463000H.030	G 3/4 M	Ottone/Brass
4621AA21313	463000.130	463000.030	G 3/4 M	Nylon
4621AA23333	463000H.130	463000H.030	G 3/4 M	Ottone/Brass
4621AA31414	463000.140	463000.040	G 1 M	Nylon
4621AA33434	463000H.140	463000H.040	G 1 M	Ottone/Brass
4621AA41414	463000.140	463000.040	G 1 M	Nylon
4621AA41515	463000.150	463000.050	G 1 1/4 M	Nylon
4621AA43434	463000H.140	463000H.040	G 1 M	Ottone/Brass
4622AA51515	473000.150	473000.050	G 1 1/4 M	Nylon
4622AA51616	473000.160	473000.060	G 1 1/2 M	Nylon
4622AA61616	473000.160	473000.060	G 1 1/2 M	Nylon
4622AA61717	473000.170	473000.070	G 2 M	Nylon