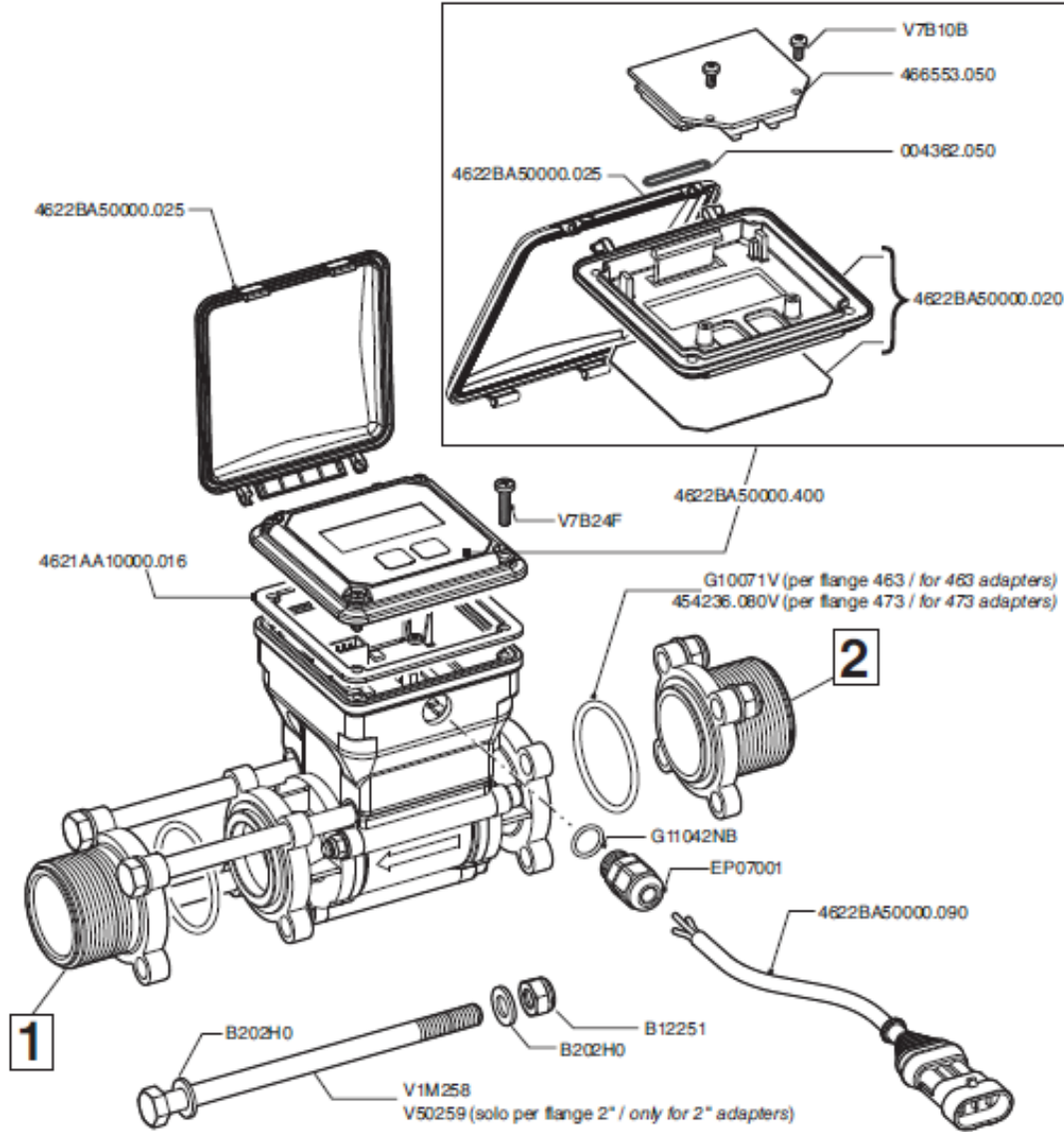


CROPLANDS PART NUMBER: A4622BA61717 - 2" ORION VISUAL FLOW METER 30/600LT



NOTE
PLEASE ADD PREFIX **A** TO REFLECT CROPLANDS PART NUMBER

NOTE
SOME PARTS ARE NON-STOCK ITEMS AND MAY NEED TO BE ORDERED

