

## CROPLANDS PART NUMBERS: A46262A0 – WOLF FLOWMETER 463 FLANGE 2.5-50LPM 40BAR

### WOLF paddle flow-meter



#### Benefits

- Hi-precision and good price/performance ratio
- Variants with fork connectors for flexible connection layout
- Variants suitable for fitting into control units and equipped with hi-pressure brass flanges
- Operating status LED
- Sapphire paddle pin to minimize rotational friction and maximize sensitivity and accuracy
- Paddle assembly equipped with 'TWIST' system for either cleaning or replacing operations without the need of any tools
- Fully sealed and watertight electronic sensor
- Rates from 2.5 to 800 l/min

#### Features

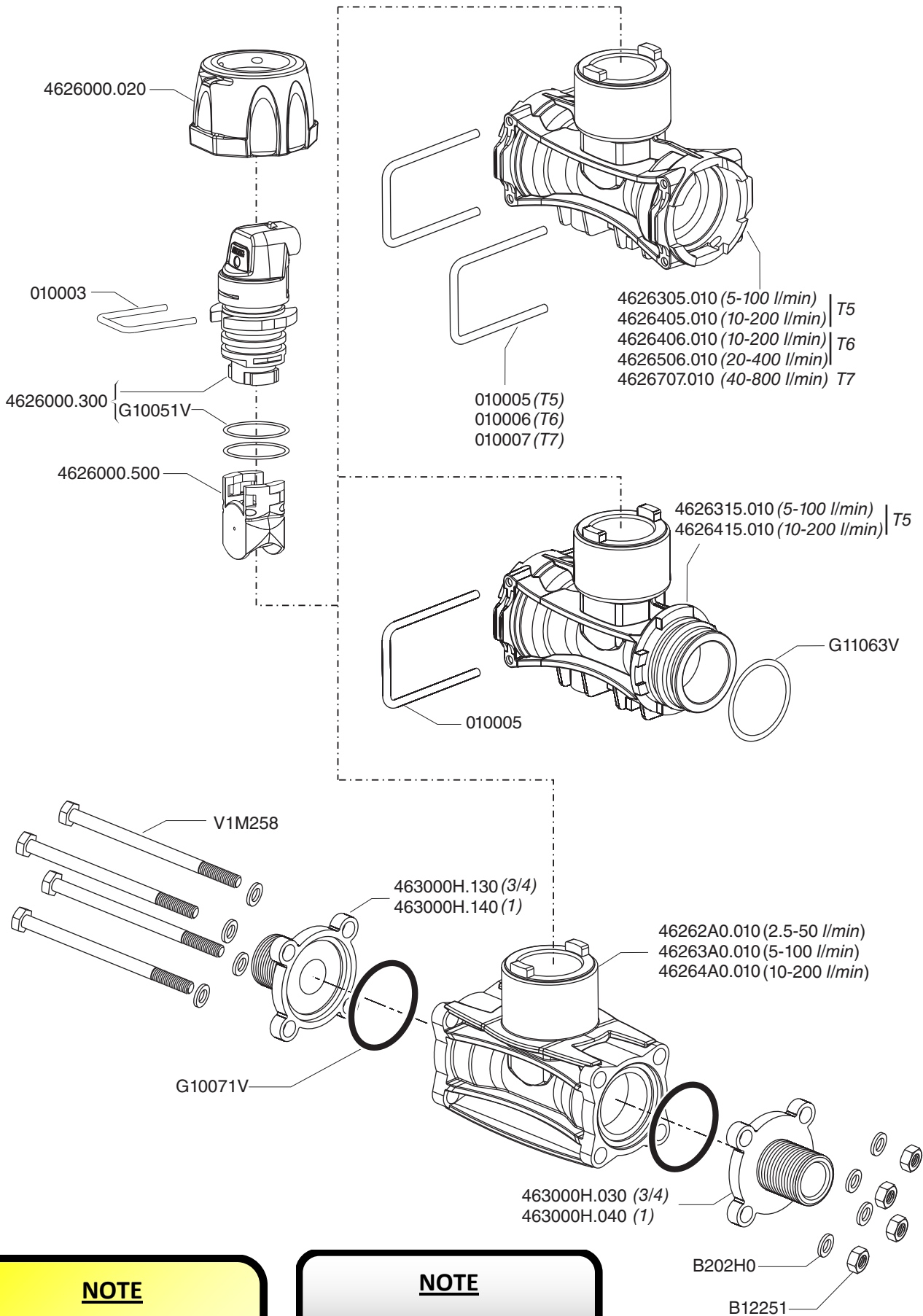
- Typical error 1% of full scale
- Operating pressure: up to 40 bars\*
- Power supply 4.5 to 26 Vdc
- 0-12 Vdc pulse output with frequency proportional to rate
- Max. consumption: 25 mA
- Parts in contact with the fluid are made of fiberglass and Delrin® reinforced Nylon



COD. CODE CÓD.			Attacco Connection Toma		
	l/min.	US GPM		P max (bar)	P max (PSI)
<b>462 62A0</b>	2.5-50	0.7-13	463	40	580

\*: operating pressure depends on selected connector/union.

46262A0  
 46262A03  
 4626305  
 4626315  
 46263A0  
 46263A03  
 46263A04  
 4626405  
 4626406  
 4626415  
 46264A0  
 46264A03  
 46264A04  
 4626506  
 4626707



**NOTE**

PLEASE ADD PREFIX **A** TO  
 PART NUMBER TO REFLECT  
 CROPLANDS PART NUMBER

**NOTE**

SOME PARTS ARE NON-STOCK  
 ITEMS AND MAY NEED TO BE  
 ORDERED