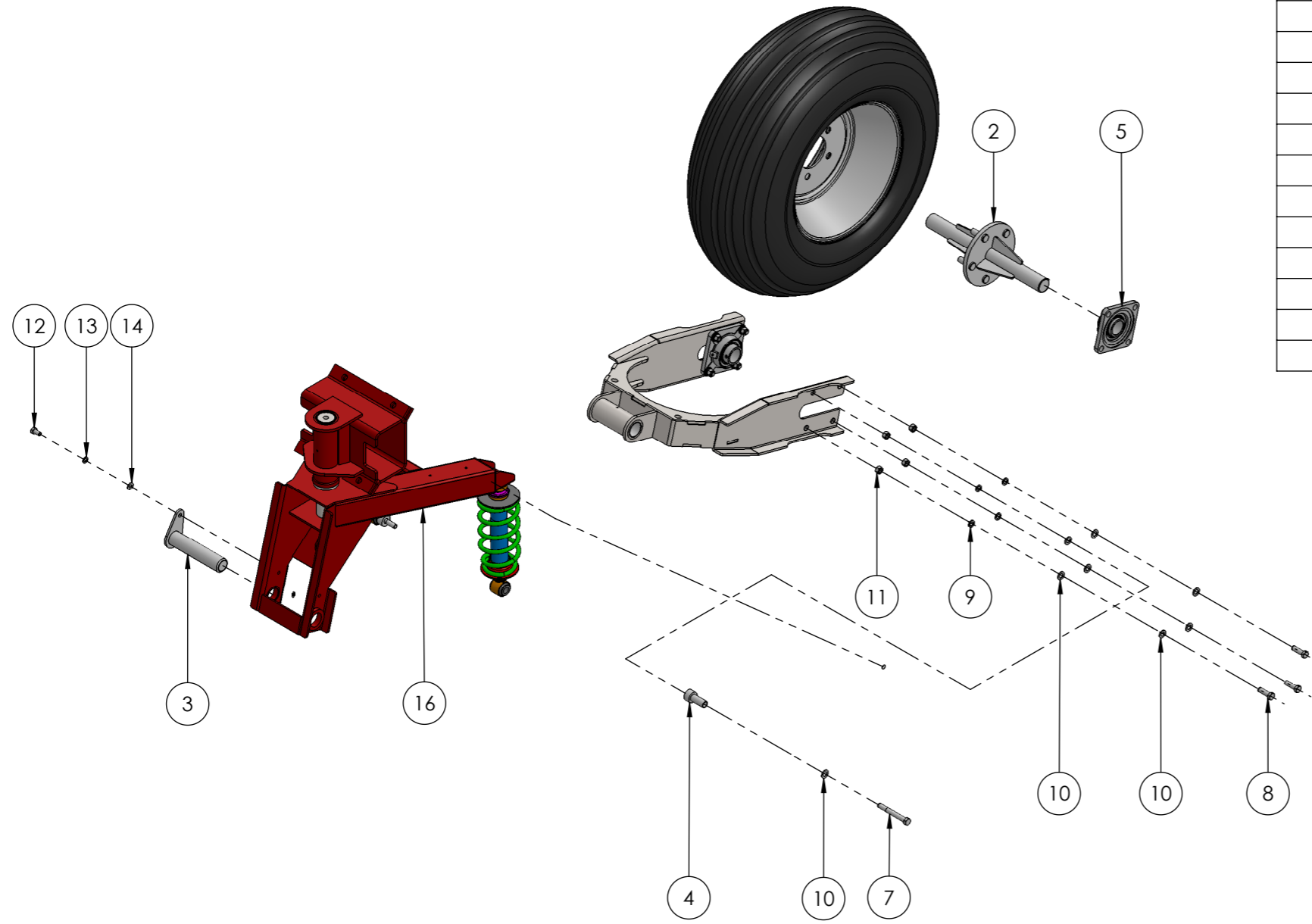


ITEM NO.	PART NUMBER	DESCRIPTION	QTY.
1	AB243901-100	OUTER WHEEL SWIVEL SWING ARM	2
2	AB243903-100	OUTER WHEEL SWIVEL AXLE	1
3	AB243904-100	OUTER WHEEL SWIVEL SWING ARM PIN	1
4	AB243905-100	OUTER WHEELSWIVEL SHOCK BUSH	2
5	FYJ_40_TF	40MM FLANGED BEARING	2
6	HP-202R	WHEEL 12Lx15 MULTI RIB 5/140	1
7	M12X100BOLT	M12 X 100 HEX HEAD BOLT HT ZP	2
8	M12X40	M12 X 40 SET SCREW HT ZP	6
9	M12SWASHER	M12 SPRING WASHER	8
10	M12FWASHER	M12 FLAT WASHER	16
11	M12HNUT	M12 HEX NUT	8
12	M10X20	M10 X 20 SET SCSREW HT ZP	1
13	M10SWASHER	M10 SPRING WASHER	1
14	M10FWASHER	M10 FLAT WASHER	1
15	M6GNIPPLE	M6 GREASE NIPPLE	1
16	AB243902-004		1
17	PAP4040		2
18	MP-391		2
20	24300-130		1



UNLESS OTHERWISE SPECIFIED: DIMENSIONS ARE IN MILLIMETERS SURFACE FINISH: $\pm 0.2$ TOLERANCES: LINEAR: $\pm 0.5$ ANGULAR: $\pm 0.5$		FINISH:  N/A	DEBUR AND BREAK SHARP EDGES 	DO NOT SCALE DRAWING	ISSUE	A																							
<table border="1"> <thead> <tr> <th>NAME</th> <th>SIGNATURE</th> <th>DATE</th> <th>REVISION</th> </tr> </thead> <tbody> <tr> <td>DRAWN</td> <td>LJSMITH</td> <td>260814</td> <td></td> </tr> <tr> <td>CHK'D</td> <td></td> <td></td> <td></td> </tr> <tr> <td>APPV'D</td> <td></td> <td></td> <td></td> </tr> <tr> <td>MFG</td> <td></td> <td></td> <td></td> </tr> <tr> <td>Q.A</td> <td></td> <td></td> <td></td> </tr> </tbody> </table>			NAME	SIGNATURE	DATE	REVISION	DRAWN	LJSMITH	260814		CHK'D				APPV'D				MFG				Q.A				<p><b>CROPLANDS</b> A NUFARM LIMITED COMPANY</p> <p><b>WEEDIT</b></p> <p>CASTOR WHEEL ASSEMBLY INSTRUCTIONS</p>		
NAME	SIGNATURE	DATE	REVISION																										
DRAWN	LJSMITH	260814																											
CHK'D																													
APPV'D																													
MFG																													
Q.A																													
<small>COPYRIGHT PROPRIETOR THIS DRAWING IS THE PROPERTY OF CROPLANDS PTY. LTD. AND MUST BE TREATED AS CONFIDENTIAL. REPRODUCTION OF THIS DRAWING (OR PART THEREOF) OR COMMUNICATION OF ITS CONTENTS IS PROHIBITED WITHOUT THE CONSENT OF CROPLANDS PTY. LTD.</small>			MATERIAL:  N/A		DWG NO.  AB243000-120A ASSEMBLY	A3																							
			WEIGHT:	SCALE: 1:15	SHEET 1 OF 1																								