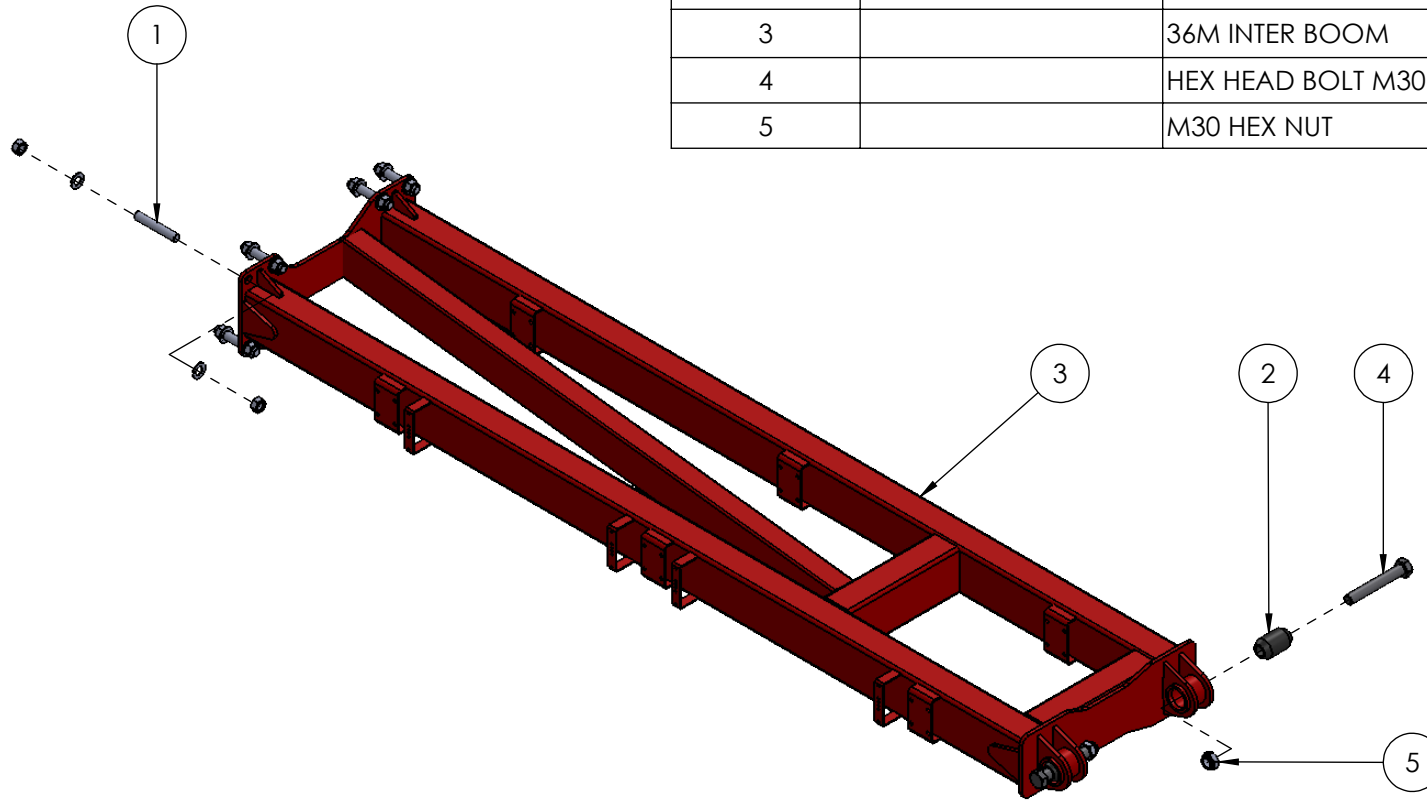



C4	PART NUMBER	DESCRIPTION	QTY.
1	BK-2500	WEEDIT INTER ARM MOUNTING BOLTS 36M	1
2	BP-809-4	FLEXIBLE BUSH AIR RIDE	2
3		36M INTER BOOM	1
4		HEX HEAD BOLT M30 X 200	2
5		M30 HEX NUT	2



UNLESS OTHERWISE SPECIFIED: DIMENSIONS ARE IN MILLIMETERS SURFACE FINISH: $\pm 0.2$ TOLERANCES: LINEAR: $\pm 0.5$ ANGULAR: $\pm 0.5$		FINISH:  N/A		DEBUR AND BREAK SHARP EDGES 	
NAME	SIGNATURE	DATE	REVISION	MATERIAL:  N/A	
DRAWN	LJSMITH	170215		WEIGHT:	
CHK'D				SCALE: 1:20	
APPV'D				SHEET 1 OF 1	
MFG					
Q.A					
COPYRIGHT PROPRIETOR			THIS DRAWING IS THE PROPERTY OF CROPLANDS PTY. LTD. REPRODUCTION OF THIS DRAWING (OR PART THEREOF) OR COMMUNICATION OF ITS CONTENTS IS PROHIBITED WITHOUT THE CONSENT OR AUTHORITY OF CROPLANDS PTY. LTD.		

DO NOT SCALE DRAWING	ISSUE	A
<b>CROPLANDS</b> A NUFARM LIMITED COMPANY		
TITLE: <b>WEEDIT</b>		
SECOND ARM 36M VERSION 2		
DWG NO.	AB243000-500A	A4