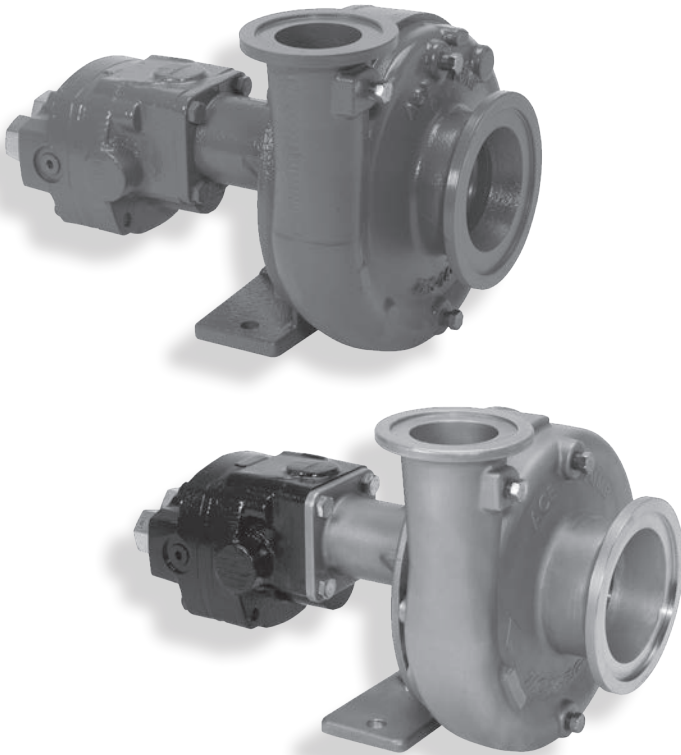




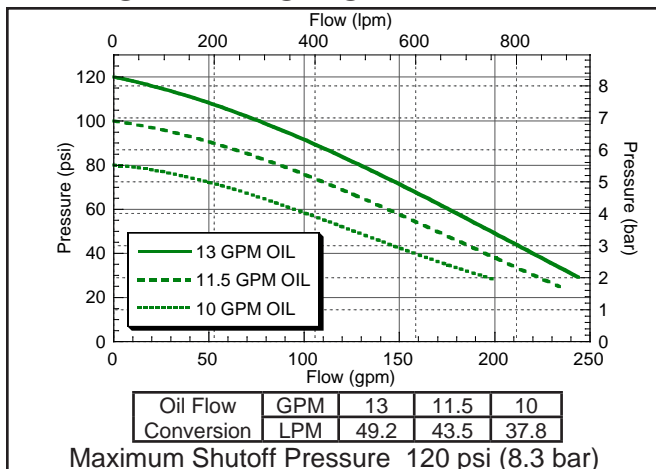
High Capacity Hydraulic Driven Centrifugal Pump

FMCSC-205F-HYD-304 FMCSC-205FS-HYD-304

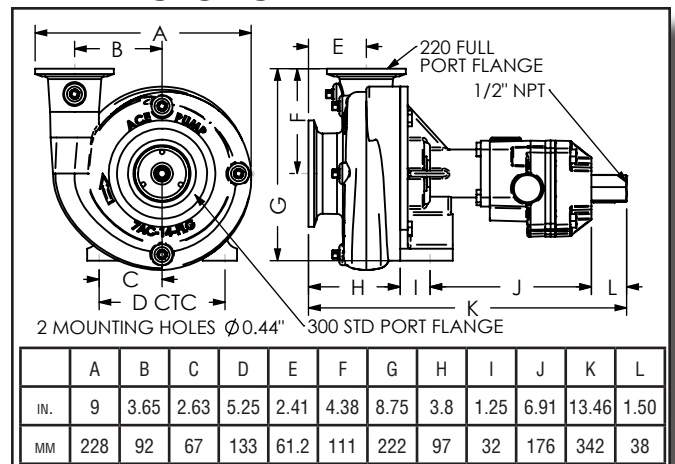


- Suction 300 Series Flange
- Discharge 220 Series Flange
- -FS Model - 316 Stainless Steel
- Recommended for use on the following Hydraulic Systems:
 - ✓ Pressure Compensating Closed Center
 - ✓ Load Sensing or Pressure Flow Compensating Closed Center
 - ✓ Open Center from 10 to 20 GPM (38 to 75 LPM) - Integral Needle Valve bypasses up to 9 GPM (34 LPM)
- Severe Duty Silicon Carbide Mechanical Seal with O-ring Seat for Improved Survivability
- Larger 203 Bearings for Longer Life
- Chemical Resistant Valox® Impeller and Optional Cast Iron or 316 Stainless Steel available

PERFORMANCE CHART



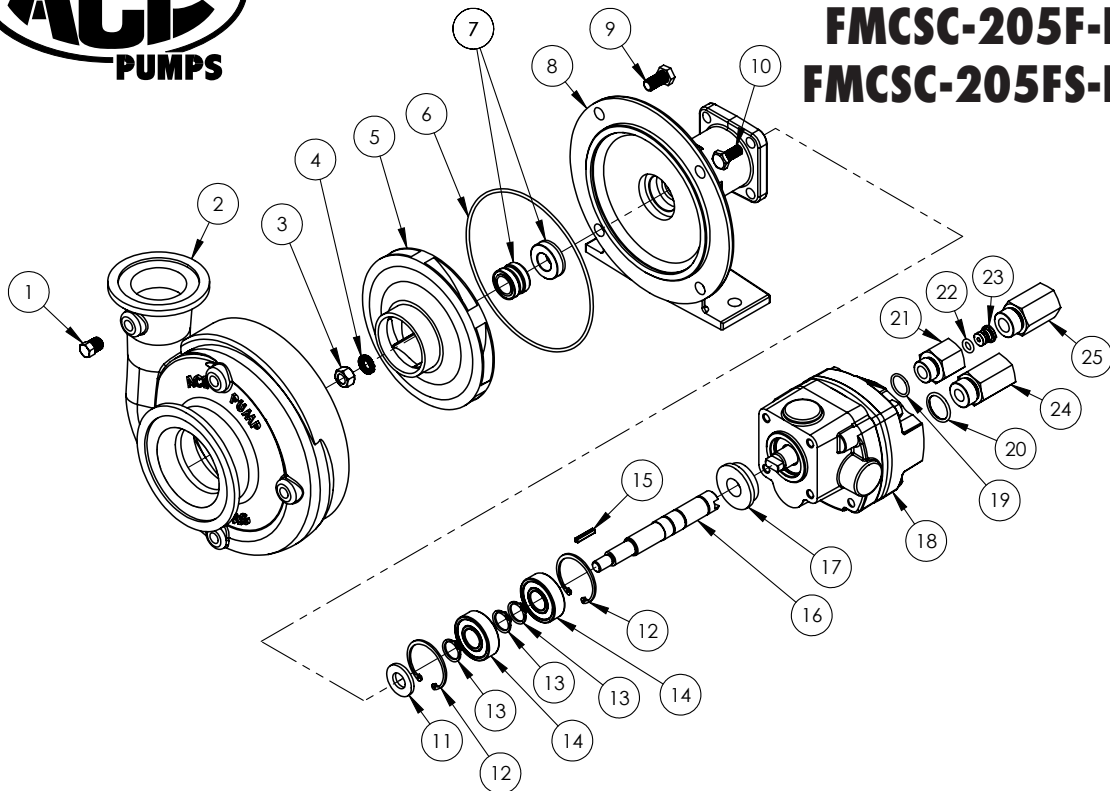
DIMENSIONS



Valox® is a registered trademark of SABIC.
Viton® is a registered trademark of DuPont.



FMCS-205F-HYD-304 FMCS-205FS-HYD-304



REF. #	PART NUMBER	EDP #	DESCRIPTION	REQ.
1	BAC-53	41110	Pipe plug	4
1	41120	41120	Pipe plug, stainless steel (-FS model)	4
2	7AC-14-FLG	41530	Volute, 300 standard flange x 220 full port flange, cast iron	1
2	7AC-14-FLG-SS	41532	Volute, 300 flange x 220 flange, 316 stainless steel (-FS model)	1
3	BAC-23-B-SS	40393	Nut, 3/8" NF, stainless steel	1
4	BAC-24-B-SS	42702	Washer, 3/8", stainless steel, self-locking	1
5	BAC-26-200-P	40434	Impeller, thermoplastic	1
5	BAC-26-200-CI	40433	Impeller, cast iron (optional)	1
5	BAC-26-200-SS	40436	Impeller, 316 stainless steel (-FS model) (optional)	1
6⓪	BAC-4A	40005	O-ring, body seal	1
7⓪	BAC-7SC-205V	40149	Seal, silicon carbide	1
8	BAC-14-205-HYD	40338	Mounting frame for 205 pump	1
8	BAC-14-205-HYD-SS	40346	Mounting frame for 205 pump, 316 stainless steel (-FS model)	1
9	40950	40950	Cap screw, 3/8" NC x 3/4" hex head	4
9	40930	40930	Cap screw, 3/8" NC x 3/4" hex head, stainless steel (-FS model)	4
10	41330	41330	Cap screw, 5/16" NC x 3/4" hex head, motor to pump	4
11	BAC-54	41130	Slinger	1
12	BACH-33	40820	Snap ring, internal, BAC-14-205 mounting frame	2
13	BACH-32-HD	40385	Snap ring, external, BAC-6-205 shaft	3
14	40880	40880	Ball bearing, sealed, BAC-6-205 shaft	2
15	BAC-6-205-HYD-SS	40068	Shaft, extended keyway, tang, stainless steel	1
16	BAC-25	40425	Key, 1/8" x 1/8" x 13/16", extended keyway	1
17	S305	40163	Seal support spacer for 205 series pump	1
18	BAC-75-HYD-304N	41343	Hydraulic motor, 11 GPM, effective 5/13	1
19	41875	41875	O-ring, #8 SAE fitting	1
20	41445	41445	O-ring, #10 SAE fitting	1
21	BAC-80-8SAE	41455	Body, restrictor orifice, #8SAE x 1/2" NPT	1
22	41448	41448	O-ring, orifice insert	1
23	BAC-79-8	41447	Orifice insert, restrictor insert, 0.125	1
24	41442	41442	Reverse check assembly, #10 SAE x 1/2" NPT	1
25	LS-304N	41429	Flow limiter (optional)	1
⓪	RK-FMCS-205	52705	Repair kit for FMC-205 pump with silicon carbide shaft seal	-
#	RK-BAC-75-HYD-300-L	41362	Repair kit for 300 Series hydraulic motor	-