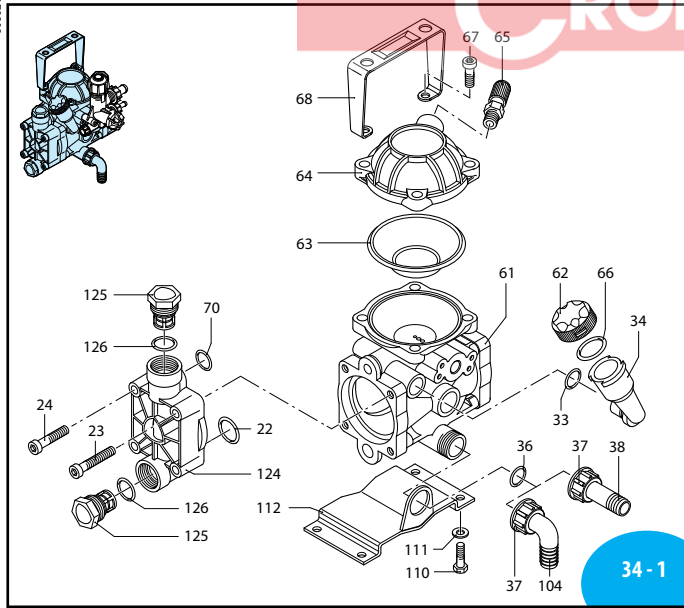


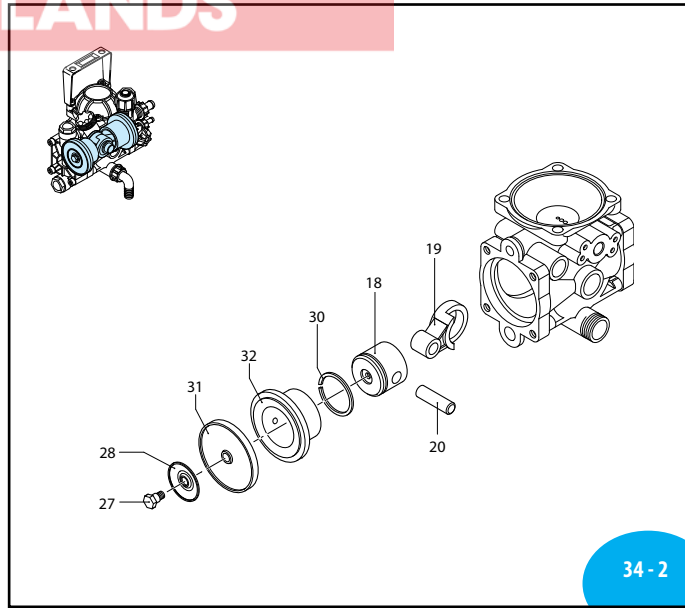


808621



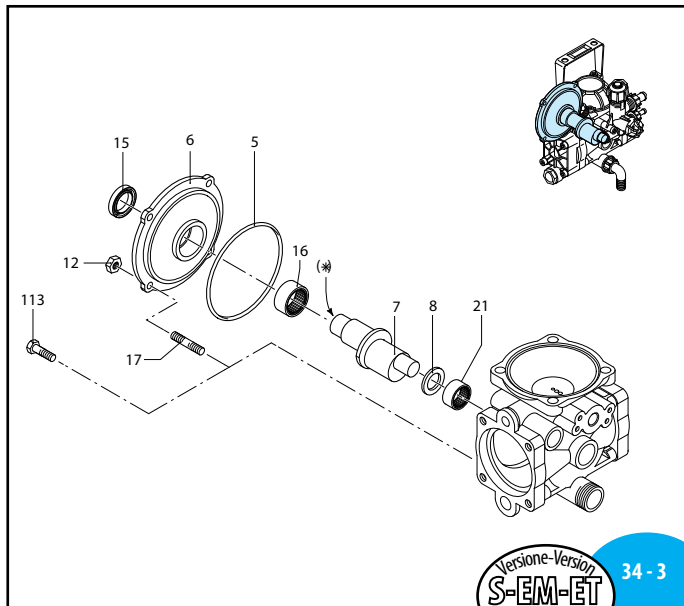
34 - 1

UN990014-LJ



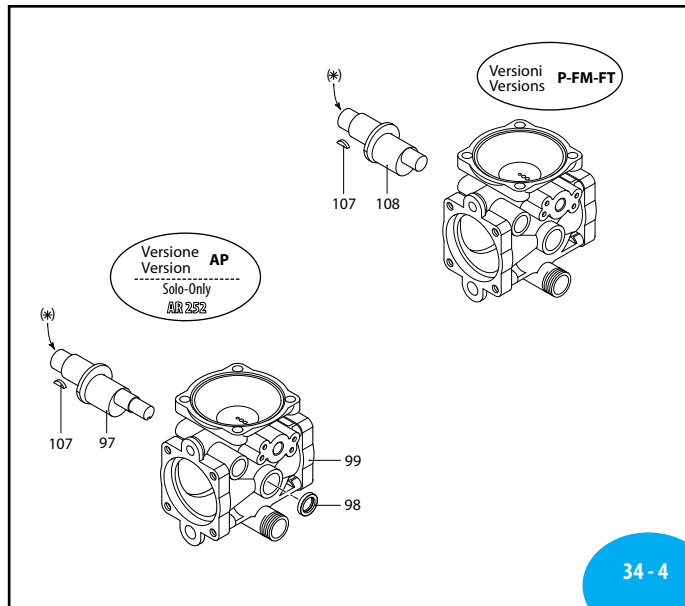
34 - 2

UN000663-CD



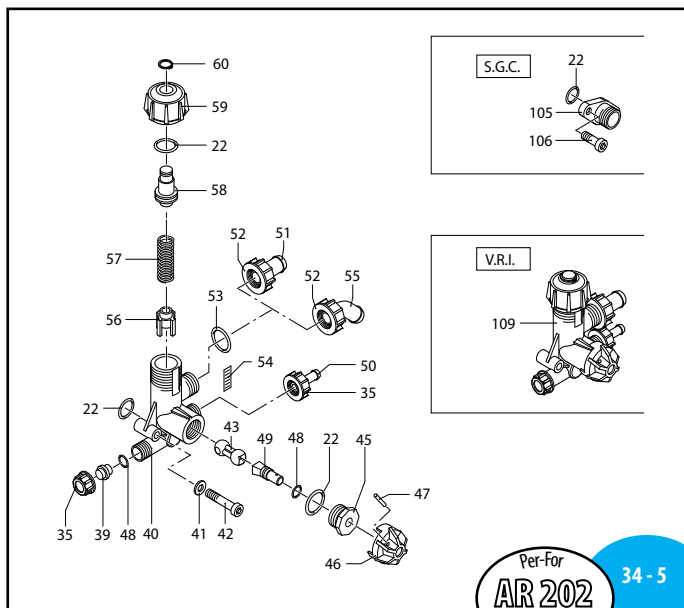
34 - 3

UN990016-LE



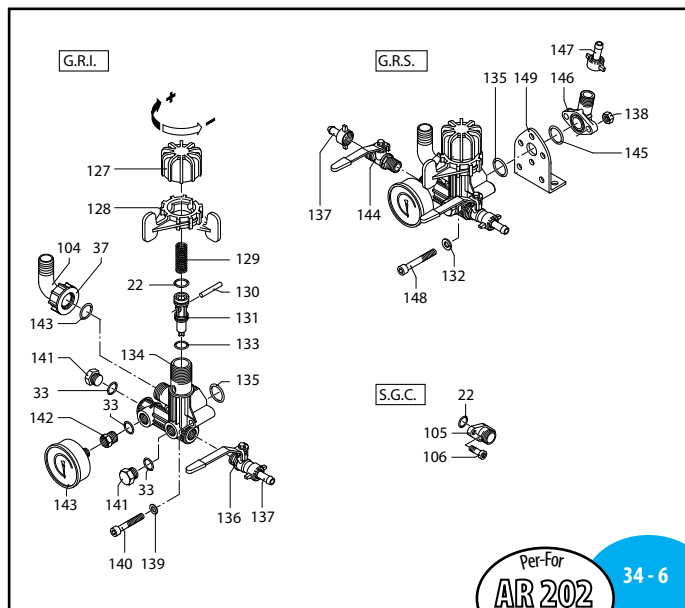
34 - 4

SL000110-FY



34 - 5

SL000138-GX



34 - 6

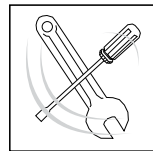
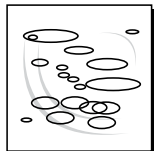
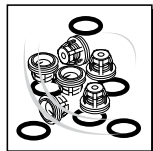
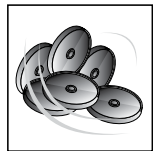
UN990019-LJ

# AR 202 - AR 252

Pos.	Cod.	Descrizione	Description	Q.ty	Note
5	800380	OR ø 97x1,6	O-Ring	1	
6	800020	Flangia supp. albero	Flange	1	
7	800174	Albero ecc."S-EM-ET"	"S-EM-ET" shaft	1	AR 202 (G)
	800170	Albero ecc."S-EM-ET"	"S-EM-ET" shaft	1	AR 252 (C)
8	800160	Distanziale	Spacer	1	
12	390440	Dado M 6	Nut	4	
15	800200	Anello tenuta	Seal	1	
16	800180	Boccola a rullini	Roller bushing	1	
17	550330	Prigioniero M 6x34	Stud	4	
18	802070	Pistone	Piston	2	C <sub>20</sub>
19	800140	Biella	Connecting rod	2	
20	800130	Spinotto	Piston pin	2	
21	480370	Boccola a rullini	Roller bushing	1	
22	480440	OR ø 17,13x2,62	O-Ring	5	▶
23	680360	Vite TCEI M 8x50	Bolt	1	■ C <sub>20</sub>
24	800220	Vite TCEI M 8x45	Bolt	7	C <sub>20</sub>
27	800090	Perno membrana	Diaphragm pin	2	○
	800091	Perno membrana	Diaphragm pin	2	Per / For Viton C <sub>20</sub>
28	800350	Piattello	Plate	2	
30	802080	Segmento	Piston ring	2	
	800080	Membrana	Diaphragm	2	Gomma
	800081	Membrana	Diaphragm	2	Viton
	800085	Membrana	Diaphragm	2	Desmopan
	800086	Membrana	Diaphragm	2	H.P.D.S.
	802060	Camicia	Sleeve	2	AR 202
	802061	Camicia	Sleeve	2	AR 202 (Viton)
	802050	Camicia	Sleeve	2	AR 252
	802051	Camicia	Sleeve	2	AR 252 (Viton)
33	740290	OR ø 14x1,78	O-Ring	4	▶
34	801960	Serbatoio olio	Oil tank	1	
35	800520	Girello 3/8" G	Ring nut	2	
36	390180	OR ø 18,72x2,62	O-Ring	1	▶
37	550450	Girello 3/4" G	Ring nut	2	
38	800340	Portagomma ø 20	Hose	1	
39	800540	Tappo	Plug	1	
40	800400	Corpo valvola reg.	Valve body	1	
41	550331	Rosetta øi 6,5	Washer	2	
42	800410	Vite TCEI M 6x40	Bolt	2	
43	800430	Valvola	Valve	1	
45	800500	Ghiera	Ring nut	1	
46	800510	Manopola apertura	Knob	1	
47	390330	Spina elast.spir.	Pin	1	
48	800560	OR ø 8,73x1,78	O-Ring	2	
49	800490	Perno ruotismo	Pivot	1	
50	800530	Tubetto ø 8	Hose	1	
51	800670	Tubetto ø 15	Hose	1	
52	800680	Girello M 22x1,5	Ring nut	1	
53	740290	OR ø 14x1,78	O-Ring	1	
54	800480	Adesivo scala atm	Atm scale adhesive	1	
55	1200860	Curva 45° ø 13	45° Elbow	1	
56	800440	Guida inferiore molla	Lower spring guide	1	
57	800450	Molla	Spring	1	
58	800460	Guida superiore molla	Upper spring guide	1	
59	800470	Manopola regolazione	Adjustment knob	1	

Pos.	Cod.	Descrizione	Description	Q.ty	Note
60	480550	Anello seeger	Circlip	1	
61	800010	Corpo pompa "SP"	Pump body "SP"	1	
62	550057	Tappo serbatoio olio	Oil tank cap	1	
63	800190	Semicamera aria inf.	Semi air chamber	1	Gomma
	800191	Semicamera aria inf.	Semi air chamber	1	Viton
64	800230	Semisfera superiore	Upper air chamber	1	Nera / Black
	800232	Semisfera superiore	Upper air chamber	1	Rossa / Red
65	800650	Valvola di gonfiaggio	Valve	1	
66	550040	OR ø 26,65x2,62	O-Ring	1	▶
67	540290	Vite TCEI M 8x25	Bolt	4	C <sub>23</sub>
68	800390	Maniglia	Handle	1	
70	800210	OR ø 13,10x2,62	O-Ring	2	▶
97	800173	Albero ecc. passante	Through-shaft	1	AR 252 (F)
98	800960	Anello tenuta	Seal ring	1	
99	800011	Corpo pompa "AP/SP"	Pump body "AP/SP"	1	
104	550460	Curva ø 18	Elbow	2	
105	800692	Flangia mand. 1/2" G	Flange	1	
106	880280	Vite TCEI M 6x18	Bolt	2	
107	800590	Linguetta 4x5	Key	1	
108	800175	Albero ecc. "P-FM-T"	"P-FM-T" shaft	1	AR 202 (H)
	800171	Albero ecc. "P-FM-T"	"P-FM-T" shaft	1	AR 252 (D)
109	1912	Valvola regolazione	Regulating valve	1	
110	180431	Vite TE M 8x16	Bolt	2	C <sub>23</sub>
111	380241	Rosetta øi 8,5	Washer	2	
112	800311	Piede puleggia	Pulley base	1	
113	320350	Vite TE M 6x12	Bolt	4	C <sub>10</sub>
124	801940	Testa	Head	2	
125	809060	Valvola completa	Valve assembly	4	
126	880830	OR ø 15,54x2,62	O-Ring	4	
127	1880220	Manopola	Adjustment knob	1	
128	1880210	Ghiera sgancio press.	Ring nut	1	
129	1880331	Molla	Spring	1	
130	1880240	Spinotto	Pin	1	
131	1889201	Otturatore	Jet	1	
132	390311	Rosetta 8,5x17x1,5	Washer	2	
133	1880260	OR ø 15,08x2,62	O-Ring	1	
134	1880200	Corpo valvola	Valve body	1	
135	1140450	OR ø 20,24x2,62	O-Ring	1	
136	130491	Rub. 3/8"-1/2" G (M) DX	Right valve	1	ex 30491
137	110131	Racc.1/2" G+tub. ø10	Fitting 1/2" G+hose ø10	2	ex 10131
138	390270	Dado M 8	Nut	2	
139	550331	Rosetta 6,5	Washer	2	
140	801080	Vite TCEI M 6x50	Bolt	2	
141	130171	Tappo 3/8" G	Plug	1	
142	1880250	Riduzione manometro	Pipe reducer	1	
143	1880340	Manometro	Pressure gauge	1	
144	130492	Rub. 3/8"-1/2" G (M) SX	Left valve	1	ex 30492
145	550350	OR ø 23,81x2,62	O-Ring	1	
146	450145	Flangia raccordo	Flange	1	
147	110130	Racc.1/2" G+tub. ø13	Fitting 1/2" G+hose ø13	1	ex 10130
148	1880310	Vite TCEI M 8x65	Bolt	2	
149	320406	Staffa GS	Bracket	1	
150	880830	OR ø 15,54x2,62	O-Ring	1	▶

Media Pressione  
Medium Pressure



KIT 1927 Membrane gomma Buna diaphragms	
Pos.	Q.ty
31	2

KIT 2408 Valvole Valves	
Pos.	Q.ty
125	4
126	4

KIT 2409 OR O-Rings			
Pos.	Q.ty	Pos.	Q.ty
5	1	135	1
22	5	145	1
33	4		
36	1		
48	2		
53	1		
66	1		
70	2		
126	4		
133	1		

KIT 2410 Pronto intervento Maintenance repair			
Pos.	Q.ty	Pos.	Q.ty
5	1	62	1
22	5	63	1
27	1	70	2
28	1	125	4
31	2	126	4
33	1		
34	1		
36	1		
48	2		
53	1		

**KIT 1910**  
Pronto intervento VRI  
VRI Maintenance repair

**KIT 2411**  
Pronto intervento GR 30  
GR 30 Maintenance repair

Pos.	Q.ty
5	1
22	5
33	4
36	1
48	2
53	1
70	2
126	4
133	1
135	1
145	1

Olio utilizzato Used oil	
Tipo - Type	Kg
SAE 30	0,34

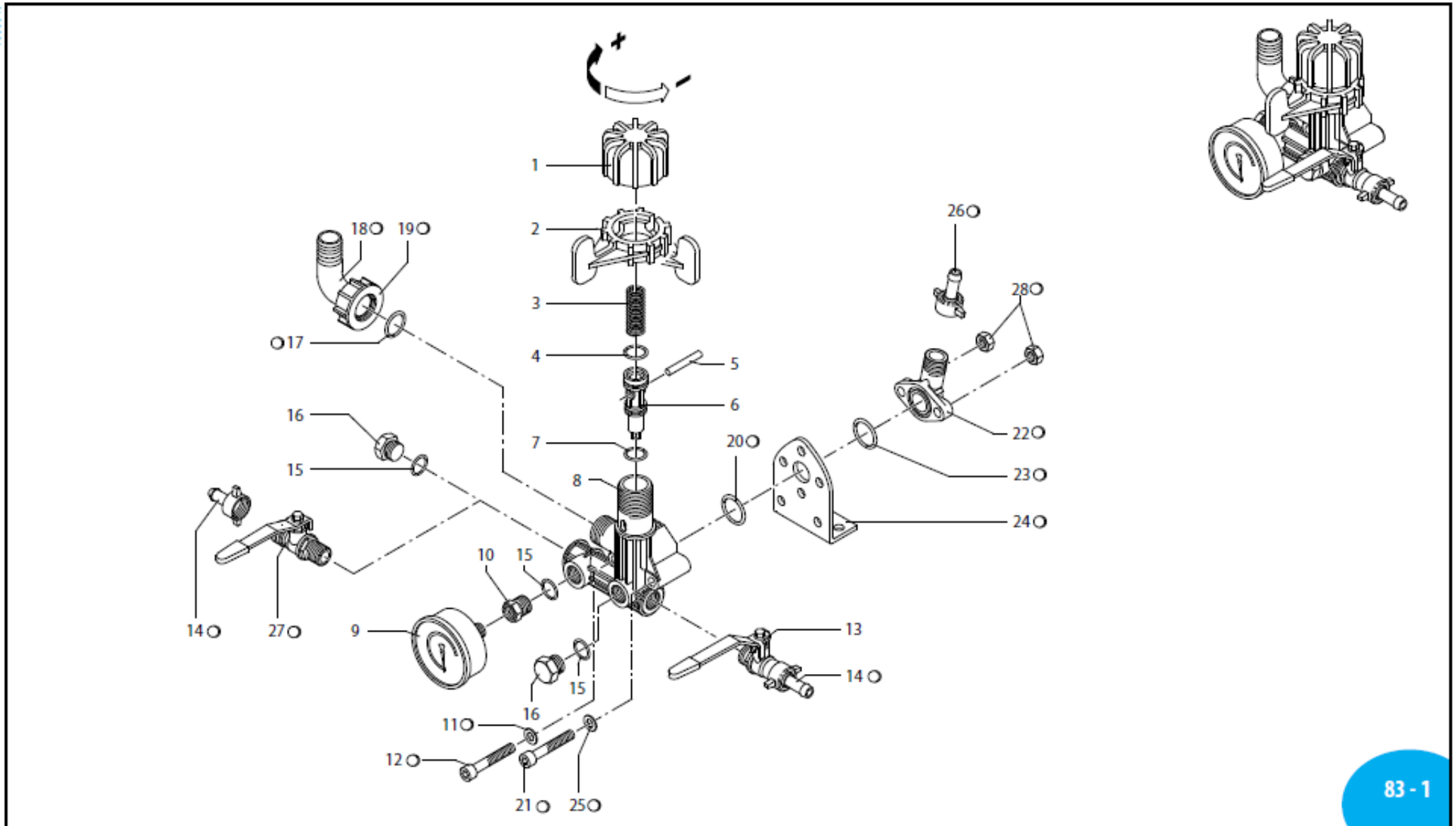
**NOTE**

SOME PARTS ARE NON-STOCK  
ITEMS AND MAY NEED TO BE  
ORDERED

**NOTE**

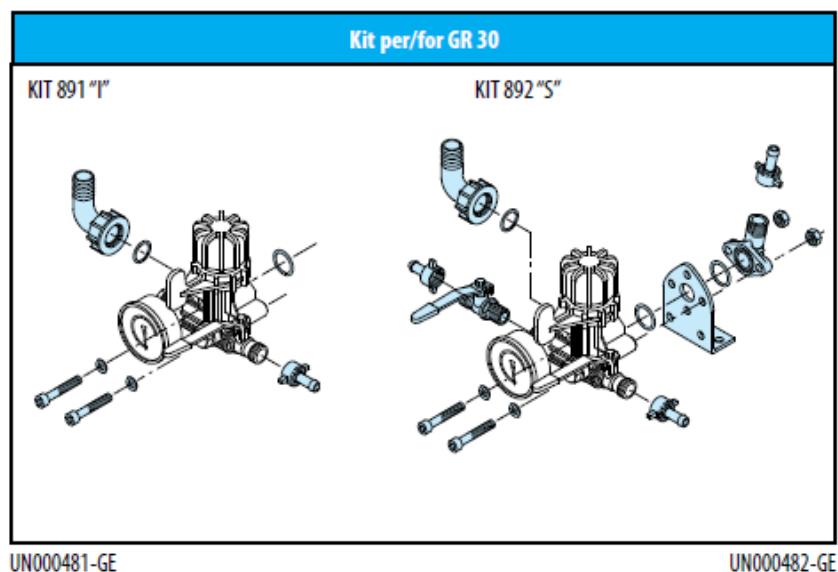
PLEASE ADD PREFIX **AR**  
TO REFLECT CROPLANDS  
PART NUMBER

## ARGR30



Pos.	Cod.	Descrizione	Description	Q.ty	Note
1	1880220	Manopola	Adjustment knob	1	
2	1880210	Ghiera sgancio press.	Ring nut	1	
3	1880331	Molla	Spring	1	☒
4	480441	OR ø 17,13x2,62	O-Ring	1	Viton ☒
5	1880240	Spinotto	Pin	1	☒
6	1889201	Otturatore	Jet	1	
7	1880260	OR ø 15,08x2,62	O-Ring	1	
8	1880200	Corpo valvola	Valve body	1	
9	1880340	Manometro	Pressure gauge	1	☐ C <sub>10</sub>
10	1880250	Riduzione manometro	Pipe reducer	1	☐ C <sub>10</sub>
11	550331	Rosetta øi 6,5	Washer	2	
12	801080	Vite TCEI M 6x50	Bolt	2	C <sub>10</sub>
13	1880491	Rub. 3/8"-1/2" (M) DX	Right valve	1	Leva rossa ☐ C <sub>10</sub>
14	110131	Racc. 1/2"G+tub. ø10	Fitting 1/2"G+hose ø10	3	
15	740290	OR ø 14x1,78	O-Ring	3	
16	2841240	Tappo	Plug	2	C <sub>10</sub>
17	880830	OR ø 15,54x2,62	O-Ring	1	
18	550460	Curva ø18	Elbow	1	
19	550450	Girello 3/4"G	Ring nut	1	
20	1140450	OR ø 20,24x2,62	O-Ring	1	
21	1880310	Vite TCEI M 8x65	Bolt	2	
22	450145	Flangia raccordo	Flange	1	
23	550350	OR 23,81x2,62	O-Ring	1	
24	320406	Staffa GS	Bracket	1	
25	390311	Rosetta 8,5x17x1,5	Washer	2	
26	110130	Racc. 1/2"G+tub. ø13	Fitting 1/2"G+hose ø13	1	
27	1880492	Rub. 3/8"-1/2" G (M) SX	Left valve	1	Leva rossa ☐ C <sub>10</sub>
28	390270	Dado M8	Nut	2	

○ Non compreso nel GR 30 - No part of GR 30



**Comando incorporato e separato - Build-in control unit and remote control**

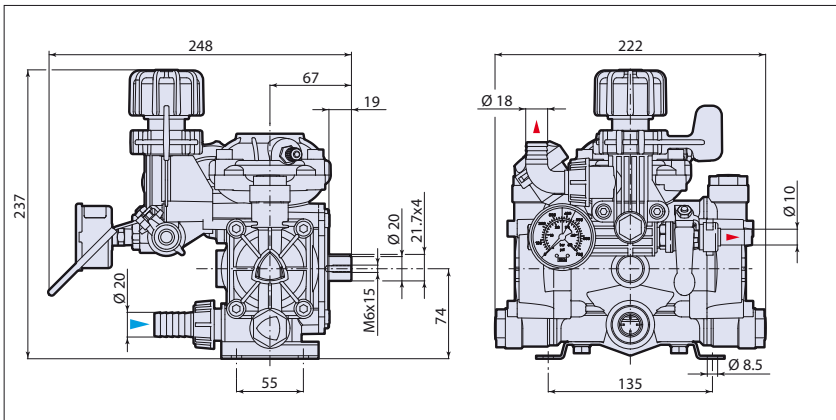
KIT 891 "I" Comando incorporato Build in control				KIT 892 "S" Comando separato Remote control			
Pos.	Q.ty	Pos.	Q.ty	Pos.	Q.ty	Pos.	Q.ty
11	2			14	3	26	1
12	2			17	1	27	1
14	1			18	1	28	2
17	1			19	1		
18	1			20	1		
19	1			21	2		
20	1			22	1		
				23	1		
				24	1		
				25	2		

Per / for AR 252

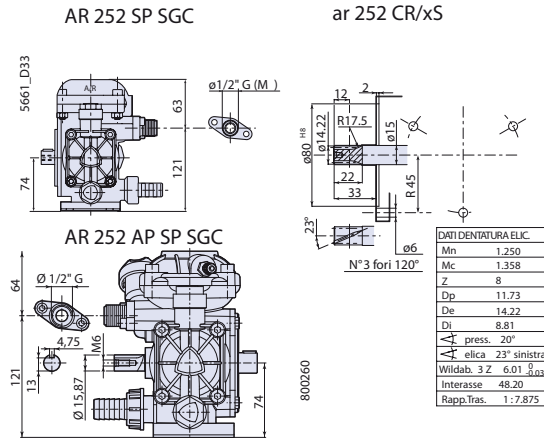
## AR Electric Pumps



**AR252-EM** Single phase  
1.5 HP or 1.1 Kw  
Motor base only  
Complete with Switch, Cable and  
Plug  
Dimensions (cm) 51 x 31 x 31  
**ARGR30** Controller attached  
Maximum Pressure 25 bar

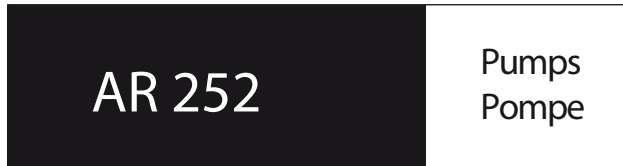


AR 252 VRI

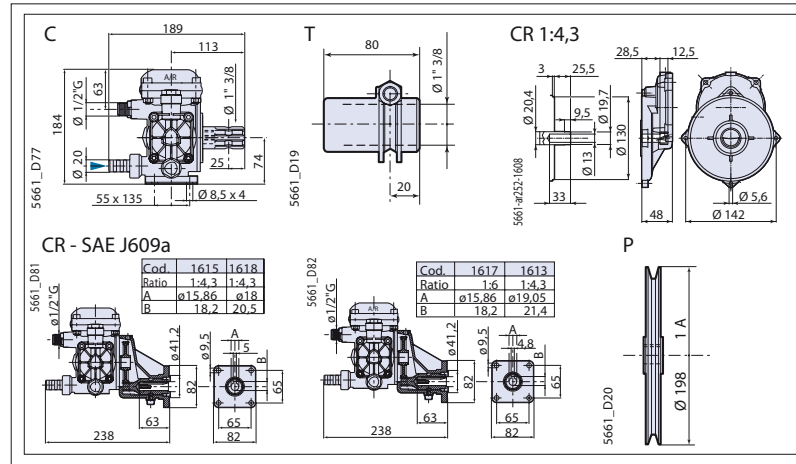


DATI DENTATURA ELIC.	
Mn	1.250
Mc	1.358
Z	8
Dp	11.73
De	14.22
Di	8.81
press.	20°
elica	23° sinistra
Wildab. 3.2	6.01 0.03
Interasse	48.20
Rapp.Tras.	1:7.875

DIMENSIONS • DIMENSIONI



Pumps  
Pompe



Please note: specifications are subject to change for improvement without notice.  
© Apr 2007 by AnnoviReverberi spa