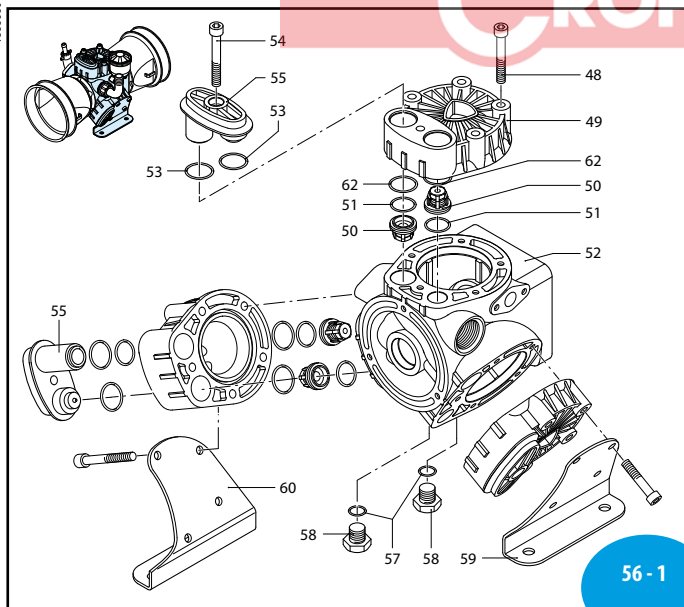
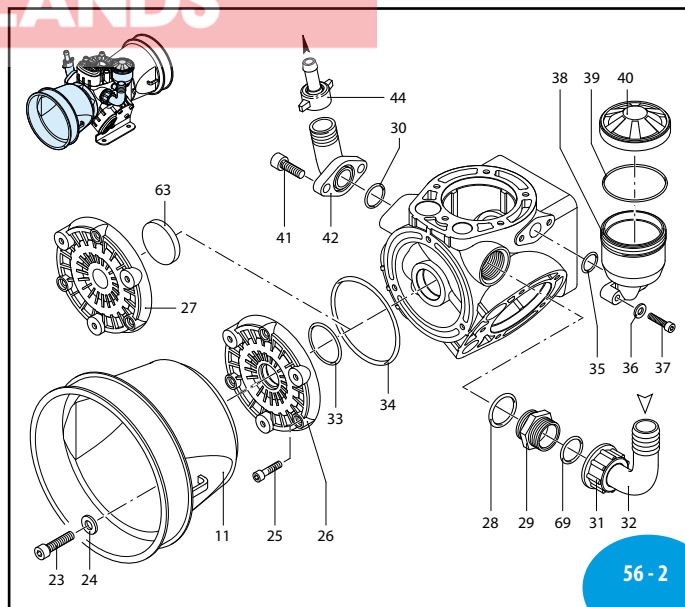




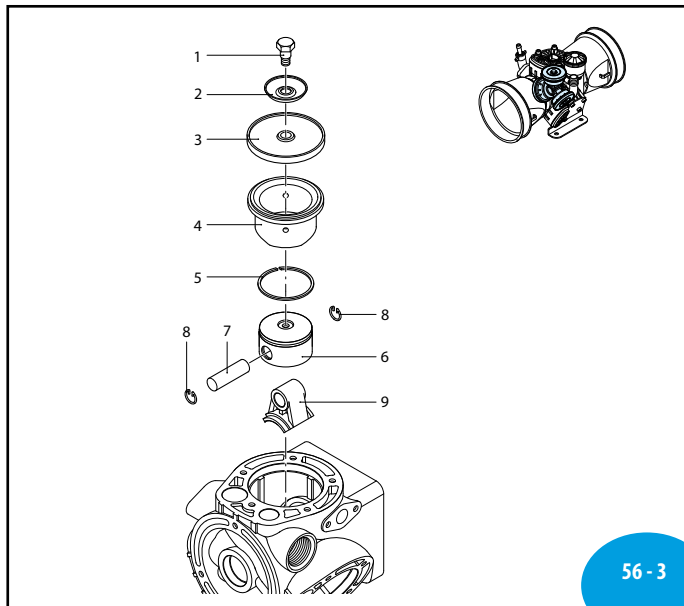
1888660



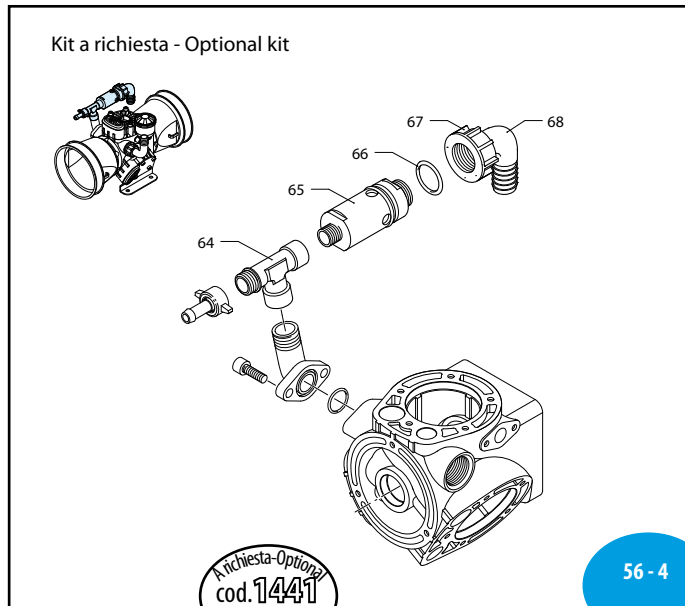
UN970255-DD



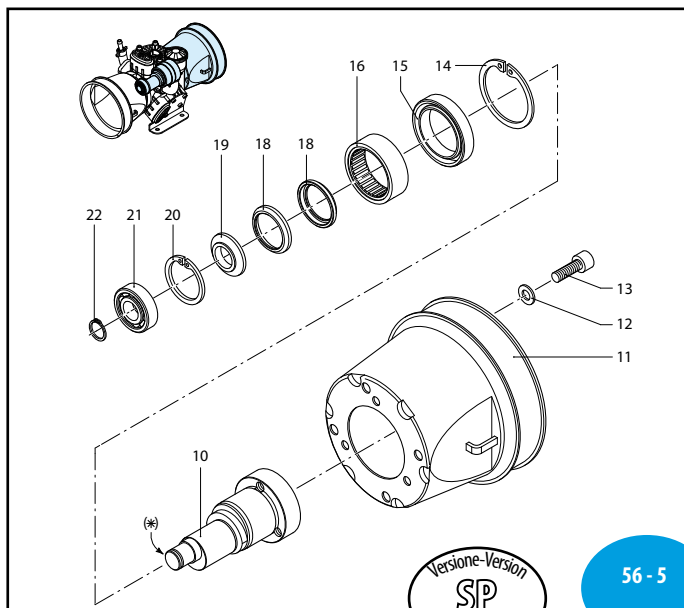
UN970256-DD



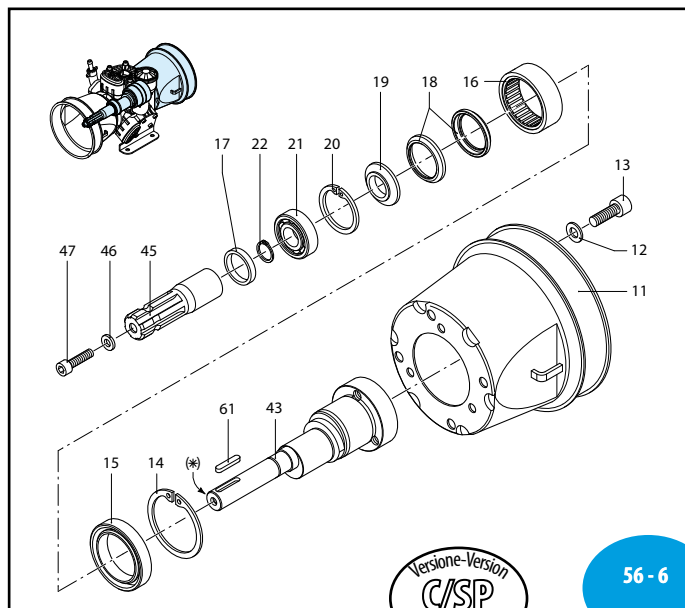
UN970257-DD



UN000247-DD



UN970258-DD



UN970259-DD

MI 91408

AR 303 - AR 403

| Pos | Cod. | Descrizione | Description | Q.ty | Note |
|-----|---------|--------------------|-------------------|------|------------------------|
| 1 | 800090 | Perno | Hub pin | 3 | OC ₂₀ |
| | 800091 | Perno | Hub pin | 3 | Viton OC ₂₀ |
| 2 | 800350 | Piattello | Wobble plate | 3 | |
| | 800080 | Membrana | Diaphragm | 3 | NBR |
| | 800081 | Membrana | Diaphragm | 3 | Viton |
| | 800085 | Membrana | Diaphragm | 3 | Desmopan |
| | 800086 | Membrana | Diaphragm | 3 | HPDS |
| | 1880440 | Camicia | Sleeve | 3 | AR 403 Viton |
| | 1880441 | Camicia | Sleeve | 3 | AR 303 Viton |
| | 1880050 | Camicia | Sleeve | 3 | AR 403 |
| | 1880051 | Camicia | Sleeve | 3 | AR 303 |
| 5 | 1880110 | Segmento | Piston ring | 3 | |
| 6 | 1880060 | Pistone | Piston | 3 | Ø 50 |
| 7 | 1880120 | Spina | Pin | 3 | |
| 8 | 380080 | Anello | Ring | 6 | seeger Øi 14 |
| 9 | 1880070 | Biella | Connecting-rod | 3 | |
| 10 | 1880101 | Albero | Shaft | 1 | AR 303 |
| | 1880100 | Albero | Shaft | 1 | AR 403 |
| 11 | 1500350 | Protezione cardano | Cardan protection | 1 | |
| 12 | 900270 | Rondella | Washer | 4 | |
| 13 | 820670 | Vite | Screw | 4 | C ₁₀ |
| 14 | 620330 | Anello | Ring | 1 | seeger Øi 65 |
| 15 | 620130 | Anello | Ring | 1 | tenuta |
| 16 | 550060 | Boccola | Bushing | 1 | |
| 17 | 1880190 | Anello | Ring | 1 | tenuta |
| 18 | 1880180 | Anello | Ring | 2 | biella |
| 19 | 1880170 | Distanziale | Spacer | 1 | |
| 20 | 111120 | Anello | Ring | 1 | seeger Øi 47 |
| 21 | 1461430 | Cuscinetto | Bearing | 1 | |
| 22 | 620291 | Anello | Ring | 1 | seeger Øe 20 |
| 23 | 850250 | Vite | Screw | 3 | TCEI M8x12 |
| 24 | 380241 | Rondella | Washer | 3 | |
| 25 | 780060 | Vite | Screw | 3 | C ₁₀ |
| 26 | 1880021 | Condotto | Line | 1 | aspirazione |
| 27 | 1880020 | Condotto | Line | 1 | aspirazione |
| 28 | 390290 | Guarnizione OR | O-ring | 1 | Ø 29x3 |
| 29 | 550340 | Raccordo | Fitting | 1 | 1" G M-M |
| 30 | 550350 | Guarnizione OR | O-ring | 1 | Ø 23,81X2,62 |
| 31 | 550242 | Girello | Ring nut | 1 | 1" G |
| 32 | 550370 | Curva | Elbow | 1 | Ø 25 |
| 33 | 390201 | Guarnizione OR | O-ring | 1 | Ø 39,34x2,62 |
| 34 | 1880130 | Guarnizione OR | O-ring | 1 | Ø 88,57x2,62 |
| 35 | 390180 | Guarnizione OR | O-ring | 1 | Ø 18,72x2,62 |
| 36 | 550331 | Rondella | Washer | 2 | |
| 37 | 1200440 | Vite | Screw | 2 | C ₁₀ |
| 38 | 1040310 | Serbatoio | Tank | 1 | |
| 39 | 650920 | Guarnizione OR | O-ring | 1 | Ø 53,65x2,62 |

| Pos | Cod. | Descrizione | Description | Q.ty | Note |
|-----|---------|----------------------|----------------|------|--------------|
| 40 | 1040322 | Tappo | Plug | 1 | AR 303 |
| | 1040320 | Tappo | Plug | 1 | AR 403 |
| 41 | 540290 | Vite | Screw | 2 | TCEI M8x25 |
| 42 | 450145 | Flangia | Flange | 1 | |
| 43 | 1880160 | Albero | Shaft | 1 | marcato 4 |
| 44 | 110130 | Girello | Ring nut | 1 | 1/2" |
| 45 | 621370 | Giunto | Coupling | 1 | |
| 46 | 961340 | Rondella | Washer | 1 | |
| 47 | 680350 | Vite | Screw | 1 | TCEI M8x35 |
| 48 | 800860 | Vite | Screw | 12 | TCEI M8x55 |
| 49 | 1880030 | Testa | Head | 3 | |
| 50 | 1889051 | Valvola completa | Complete valve | 6 | |
| 51 | 1140450 | Guarnizione OR | O-ring | 6 | Ø 20,24x2,62 |
| 52 | 1880010 | Corpo pompa | Pump body | 1 | |
| 53 | 1260420 | Guarnizione OR | O-ring | 6 | Ø 26,70x1,78 |
| 54 | 280080 | Vite | Screw | 3 | TCEI M8x60 |
| 55 | 1880040 | Coperchio | Cover | 3 | |
| 57 | 740290 | Guarnizione OR | O-ring | 2 | Ø 14x1,78 |
| 58 | 880530 | Tappo | Plug | 2 | 3/8" G |
| 59 | 1880080 | Piede | Foot | 1 | |
| 60 | 1880090 | Piede | Foot | 1 | |
| 61 | 620680 | Linguetta | Key | 1 | |
| 62 | 780050 | Guarnizione OR | O-ring | 6 | Ø 28,25x1,78 |
| 63 | 1880380 | Tenuta olio | Oil seal | 1 | |
| 64 | 1620450 | Raccordo | Fitting | 1 | |
| 65 | 1609001 | Valvola di sicurezza | Safety valve | 1 | |
| 66 | 880831 | Guarnizione OR | O-ring | 1 | Ø 15,54x2,62 |
| 67 | 550450 | Girello | Ring nut | 1 | 3/4" G |
| 68 | 550460 | Curva | Elbow | 1 | Ø 18 |
| 69 | 550350 | Guarnizione OR | O-ring | 1 | Ø 23,81X2,62 |

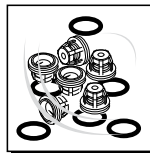
NOTE
PLEASE ADD PREFIX **AR**
TO REFLECT CROPLANDS
PART NUMBER

sp_ar303_ar403.pdf

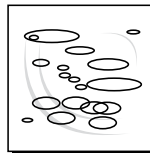
Media pressione
Medium pressure



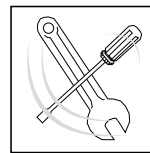
| KIT 2387 Membrane gomma Buna diaphragms | |
|---|------|
| Pos. | Q.ty |
| 3 | 3 |



| KIT 2388 Valvole Valves | |
|-------------------------------|------|
| Pos. | Q.ty |
| 50 | 6 |
| 51 | 6 |



| KIT 2389 OR O-Rings | |
|---------------------------|------|
| Pos. | Q.ty |
| 28 | 1 |
| 30 | 2 |
| 33 | 1 |
| 34 | 1 |
| 35 | 1 |
| 39 | 1 |
| 51 | 9 |
| 53 | 6 |
| 57 | 2 |
| 62 | 6 |



| KIT 2390 Pronto intervento Maintenance repair | | | | | |
|---|------|------|------|------|------|
| Pos. | Q.ty | Pos. | Q.ty | Pos. | Q.ty |
| 1 | 3 | 35 | 1 | 62 | 6 |
| 3 | 3 | 38 | 1 | | |
| 15 | 1 | 39 | 1 | | |
| 17 | 1 | 40 | 1 | | |
| 28 | 1 | 50 | 6 | | |
| 30 | 2 | 51 | 9 | | |
| 31 | 1 | 53 | 6 | | |
| 32 | 1 | 55 | 2 | | |
| 33 | 1 | 56 | 1 | | |
| 34 | 1 | 57 | 2 | | |



| Olio utilizzato Used oil | |
|-----------------------------|-----|
| Tipo - Type | Kg |
| SAE 30 | 0,4 |

NOTE
SOME PARTS ARE NON-STOCK
ITEMS AND MAY NEED TO BE
ORDERED