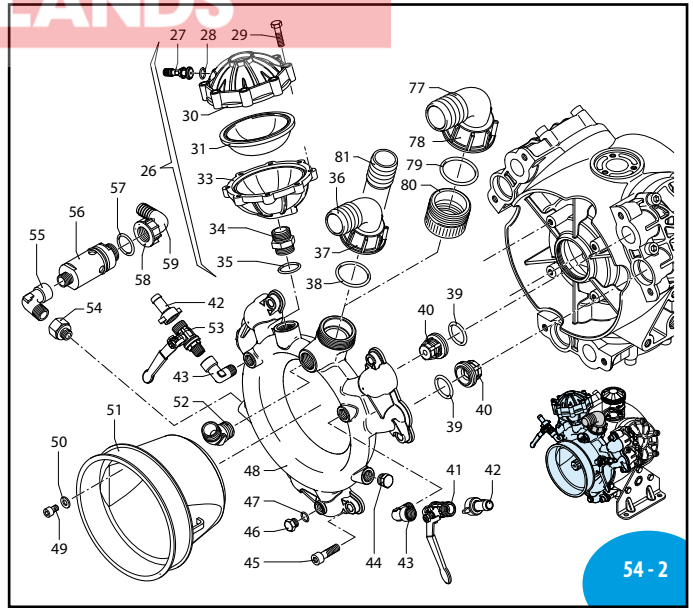


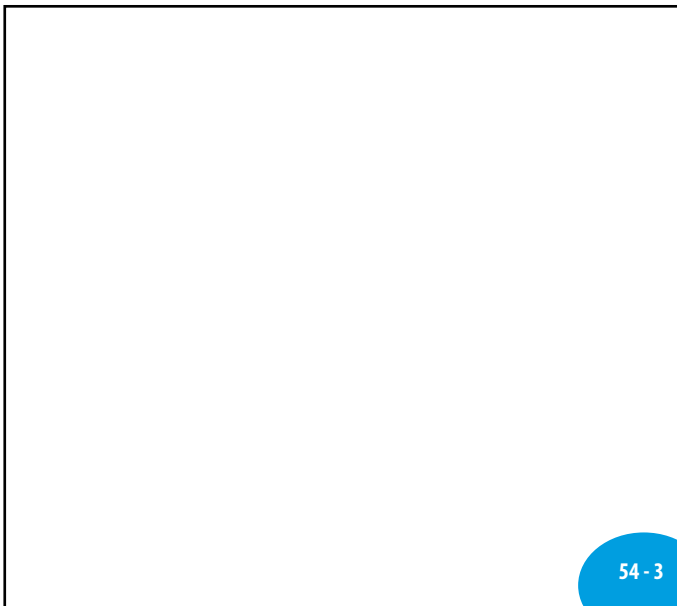
54 - 1

UN000683-DD

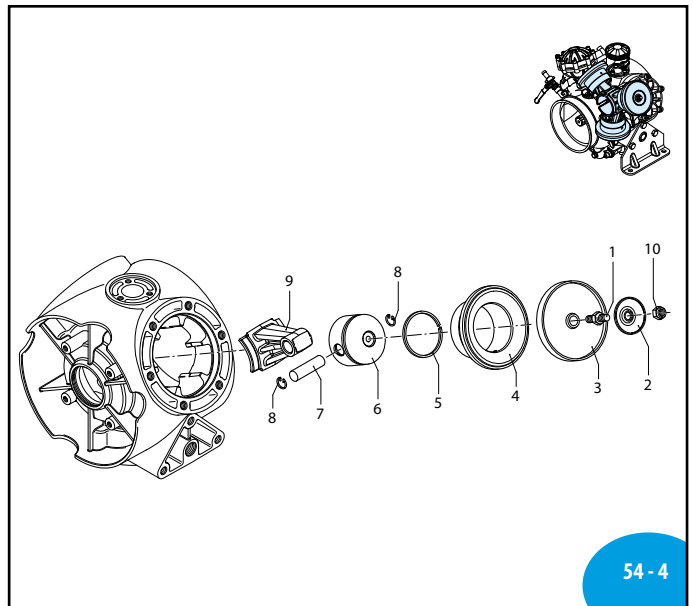


54 - 2

UN000684-LC

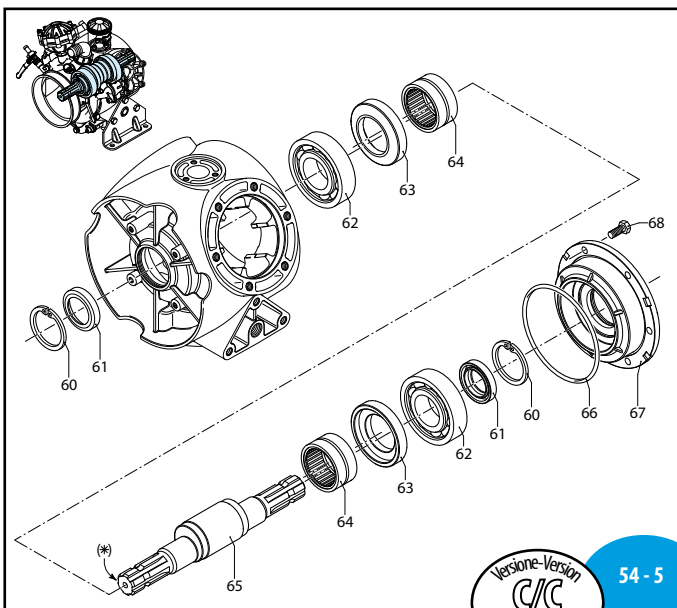


54 - 3



54 - 4

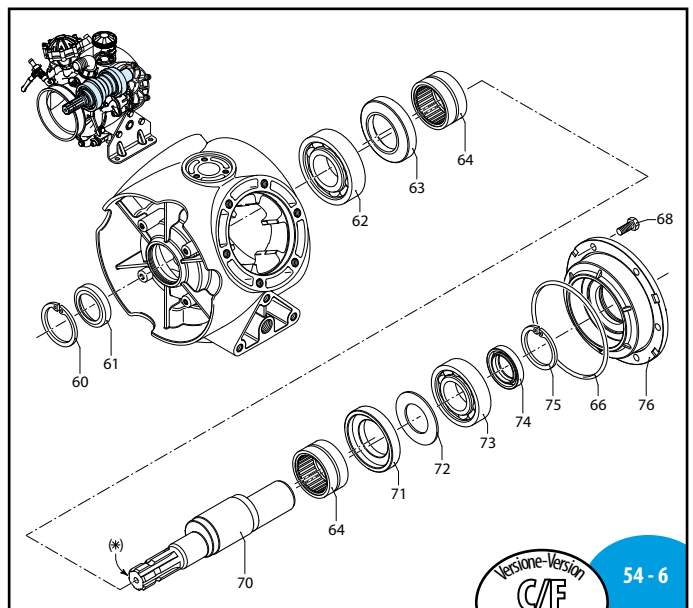
UN000685-DD



54 - 5

UN000686-DD

Versione-Version
C/C

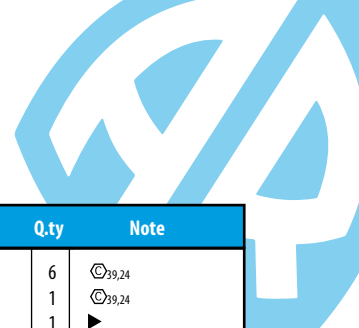


54 - 6

UN000687-DD

Versione-Version
C/F

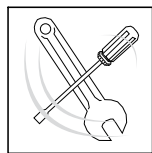
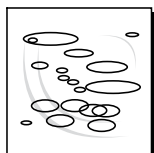
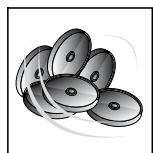
BHA 110 - BHA 140



Pos.	Cod.	Descrizione	Description	Q.ty	Note
1	2240100	Perno membrana	Diaphragm pin	3	☐ Ⓞ _{29,43}
2	580090	Piastra di richiamo	Plate	3	
3	2240080	Membrana	Diaphragm	3	Gomma
	2240085	Membrana	Diaphragm	3	Desmopan
4	2240510	Camicia	Sleeve	3	BHA 110
	2240520	Camicia	Sleeve	3	BHA 140
5	260230	Segmento	Piston ring	3	BHA 110
	2240360	Segmento	Piston ring	3	BHA 140
6	2240060	Pistone	Piston	3	BHA 110
	2240350	Pistone	Piston	3	BHA 140
7	260700	Spinotto	Piston pin	3	BHA 110
	540070	Spinotto	Piston pin	3	BHA 140
8	160691	Anellino spinotto	Pin ring	6	
9	2240090	Biella	Connecting rod	3	
10	2240110	Dado M 10	Nut	3	Ⓞ _{29,43}
11	1800060	Tappo serbatoio nero	Black oil tank cap	1	BHA 110
	750050	Tappo serbatoio rosso	Red oil tank cap	1	BHA 140
12	1040060	OR ø 72,69x2,62	O-Ring	1	▶
14	540290	Vite TCEI M 8x25	Bolt	3	Ⓞ _{9,81}
15	2240070	Serbatoio olio	Oil tank	1	☒
16	2240270	OR ø 67,95x2,62	O-Ring	1	
17	2240010	Corpo pompa	Pump body	1	BHA 110
	2240011	Corpo pompa	Pump body	1	BHA 140
18	2240450	Testa DX	Right head	2	
20	2240470	Vite TE M 12x70	Bolt	18	Ⓞ _{49,05}
21	180101	OR ø 17,5x2	O-Ring	1	▶
22	2240190	Piede	Base	2	
23	540100	Vite TE M 12x40	Bolt	6	Ⓞ _{49,05}
24	820361	Tappo 1/2" G	Cap	1	Ottone Ⓞ _{19,62}
25	2240451	Testa SX	Left head	1	
26	1527	Camera aria completa	Complete air chamber	1	
27	180020	Valvola di gonfiaggio	Air valve	1	Ⓞ _{3,9}
28	650542	Guarnizione	Gasket	1	▶
29	621781	Vite TE M 8x40	Bolt	8	Ⓞ _{19,62}
30	620230	Semisfera superiore	Upper air chamber	1	
31	550190	Semicamera aria	Semi air chamber	1	
33	1520770	Semicamera inferiore	Lower air chamber	1	
34	1520740	Niples camera aria	Threaded adapter	1	
35	720030	OR ø 22,22x2,62	O-Ring	1	▶
36	540550	Curva ø 40	Elbow	1	
37	540540	Girello 1"3/4 G	Ring nut	1	
38	250310	OR ø 36,14x2,62	O-Ring	1	▶
39	680070	OR ø 31,5x4,25	O-Ring	6	☒
40	759051	Valvola completa	Complete valve	6	
41	130491	Rub. 3/8"-1/2" G (M) DX	Right valve	1	ex 30491 Ⓞ
42	110130	Racc.1/2" G+tub. ø13	Fitting 1/2" G+hose ø13	2	ex 10130
43	2240260	Curva rubinetto	Valve elbow	2	
44	880530	Tappo 3/8" G	Plug	1	Ⓞ _{19,62}

Pos.	Cod.	Descrizione	Description	Q.ty	Note
45	650330	Vite TCEI M 10x35	Bolt	6	Ⓞ _{39,24}
46	880581	Tappo 1/4" G	Plug	1	Ⓞ _{39,24}
47	820510	OR ø 10,82x1,78	O-Ring	1	▶
48	2240461	Cond. aspirazione/mandata	Manifold	1	
49	850250	Vite TCEI M 8x12	Bolt	4	Ⓞ _{9,81}
50	390311	Rosetta ø 8,5	Washer	4	
51	1500470	Protezione cardano	Cardan protection	1	
52	851650	Curva di mandata	Outlet elbow	1	
53	130492	Rub. 3/8"-1/2" G (M) SX	Left valve	1	ex 30492 Ⓞ
54	881461	Manic. 3/8"-1/2" G (M)-(F)	Threaded adapter	1	☐
55	881560	Gomito 90° 1/2" G (M)-(F)	Elbow	1	☐
56	1609002	Valvola di sicurezza	Safety valve	1	▶
57	880831	OR ø 15,54x2,62	O-Ring	1	
58	550450	Girello 3/4" G	Ring nut	1	
59	550460	Curva ø 18	Elbow	1	
60	2240160	Anello seeger	Circlip	2	
61	2240150	Anello tenuta	Seal ring	2	
62	2240430	Cuscinetto	Bearing	2	☒
63	2240121	Anello biella	Con rod ring	2	
64	850320	Cuscinetto a rullini	Roller bearing	2	
65	2240173	Albero eccentrico "C/C"	"C/C" shaft	1	(BE)
66	2240290	OR ø 152,7x2,62	O-Ring	1	▶
67	2240020	Flangia supp. cuscinetto	Flange	1	
68	160670	Vite TE M 10x25	Bolt	6	Ⓞ _{39,24}
70	2240410	Albero eccentrico "C/F"	"C/F" shaft	1	(BG)
71	2240390	Anello biella	Con rod ring	1	
72	2240400	Anello	Ring	1	
73	2240440	Cuscinetto	Bearing	1	☒
74	1800090	Anello tenuta	Seal ring	1	
75	620330	Anello seeger	Circlip	1	
76	2240370	Flangia supp. cuscinetto	Flange	1	
77	760020	Curva ø 50	Elbow	1	Optional
78	760040	Girello 2" G	Ring nut	1	Optional
79	620210	OR ø 40,95x2,62	O-Ring	1	Optional
80	2380080	Niples 2"-1"3/4 G (M)-(F)	Threaded adapter	1	Optional
81	392190	Portagomma ø 40	Hose tail	1	Optional

Alta Pressione
High Pressure



KIT 2444 Membrane gomma Buna diaphragms	
Pos.	Q.ty
3	3

KIT 2445 Valvole Valves	
Pos.	Q.ty
39	6
40	6

KIT 2446 OR O-Rings	
Pos.	Q.ty
12	1
16	1
21	2
35	1
38	1
39	6
47	1
57	1
66	1

KIT 2447 Pronto intervento Maintenance repair					
Pos.	Q.ty	Pos.	Q.ty	Pos.	Q.ty
1	2	39	6		
2	2	40	6		
3	3	61	2		
10	2	66	1		
12	1	74	1		
15	1				
16	1				
21	1				
35	1				
38	1				

Olio utilizzato Used oil	
Tipo - Type	Kg
Sae 20w 40	2,6

NOTE

SOME PARTS ARE NON-STOCK
ITEMS AND MAY NEED TO BE
ORDERED

NOTE

PLEASE ADD PREFIX **AR**
TO REFLECT CROPLANDS
PART NUMBER